


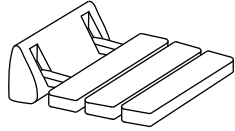


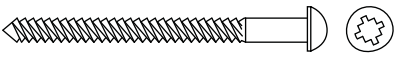
# amerec WHITE SHOWER SEAT INSTALLATION INSTRUCTIONS

Please read instructions carefully to install and use product safely.

	<p><b>CAUTION:</b> Maximum weight capacity of the wall mounted shower seat is 300lbs (136kg) when installed in accordance with these instructions. The wall and mounting supports must be strong enough to support 300lbs (136kg). <i>Use only for sitting, not intended for other purposes.</i></p>
-----------------------------------------------------------------------------------	------------------------------------------------------------------------------------------------------------------------------------------------------------------------------------------------------------------------------------------------------------------------------------------------------

**Important:** The metal mounting bracket must be anchored to a solid structure assuring a safe and secure installation. As a minimum standard, follow recommended stud wall with header installation shown in figure 1 on the next page. If the supplied screws/rawplugs are not suitable for your installation you must provide appropriate ones.

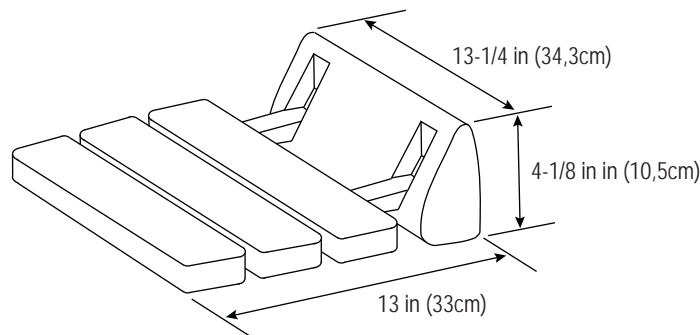
Your shower seat kit should contain the following items:

Quantity		
1	White Shower Seat, With Mounting Bracket	
1	Hex Wrench: 0.010" (2.5mm)	
5	Rawplug: 5/16" x 2-5/16" (8mm x 60mm)	
5	Rawplug Screw: 1/4" x 2-1/4" (6,3mm x 57mm)	

**Stud Wall With Header Mounting** Note: Header must be 2"x 6" or equivalent and securely mounted to wall studs on 16"centers. A typical method is shown in figure (1) on the next page.

## Mounting the Shower Seat:

- Use the mounting plate as a hole template. Position the metal mounting bracket to the finished wall surface (as shown in figure 2) keeping the flat of the mounting bracket towards the wall and the bottom of the mounting bracket leveled at the recommended height of 16"- 20" (63-51cm) above the floor. (Note: The top edge of the bracket has (3) three holes and this edge must be up). See figures 2 and 3.
  - Make sure the mounting bracket is level, then mark the screw holes and remove the bracket. Drill (5) five 5/16" (8mm) screw holes 2-5/16" (60mm) deep.
  - Gently insert the rawplugs into the screw holes. Use a hammer to carefully push the rawplugs into the holes as necessary.
  - Attach the mounting bracket to the wall with the flat of the mounting bracket towards the wall and the top edge up. Tighten the screws into the rawplugs to secure the bracket.
- Place the seat assembly onto the mounting bracket by placing the back of the seat assembly over the upper edge of the mounting bracket then tilt the seat down until the bottom of seat assembly overlaps the bottom edge of the mounting bracket and rests firmly against the wall. See figures 4 and 5.
- Tighten the (2) two hex screws along the bottom edge of the seat assembly to secure the seat onto the mounting bracket. See figure 6.



# amerec WHITE SHOWER SEAT INSTALLATION INSTRUCTIONS

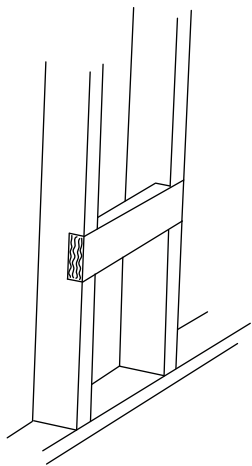


figure 1

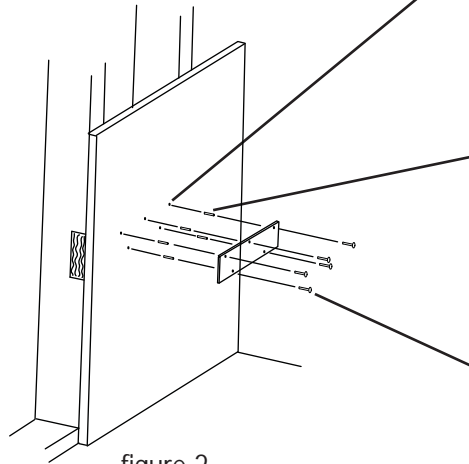


figure 2

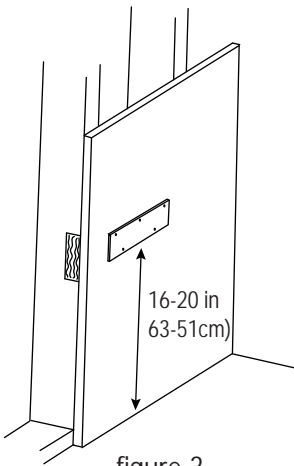
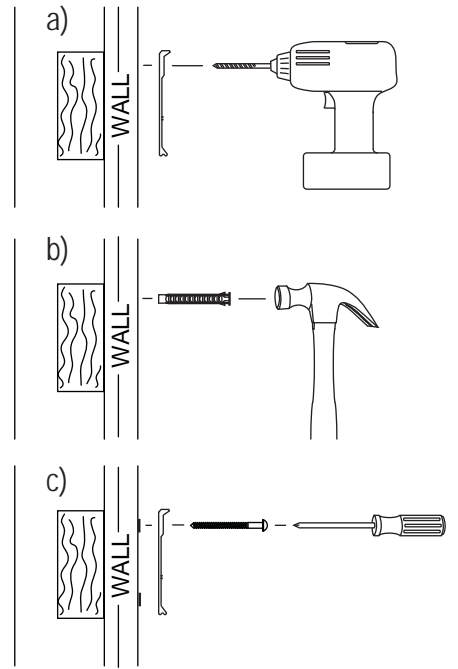


figure 3

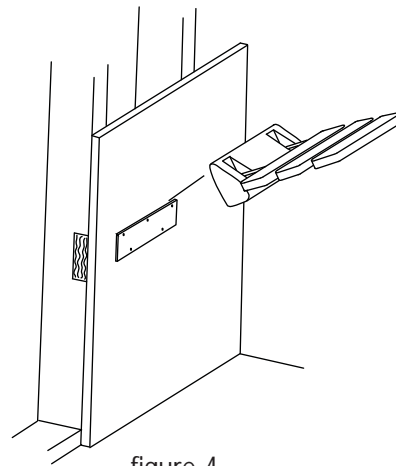


figure 4

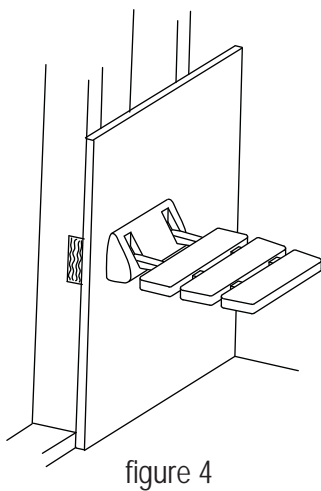


figure 4

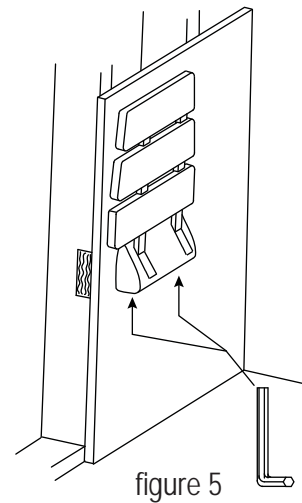


figure 5