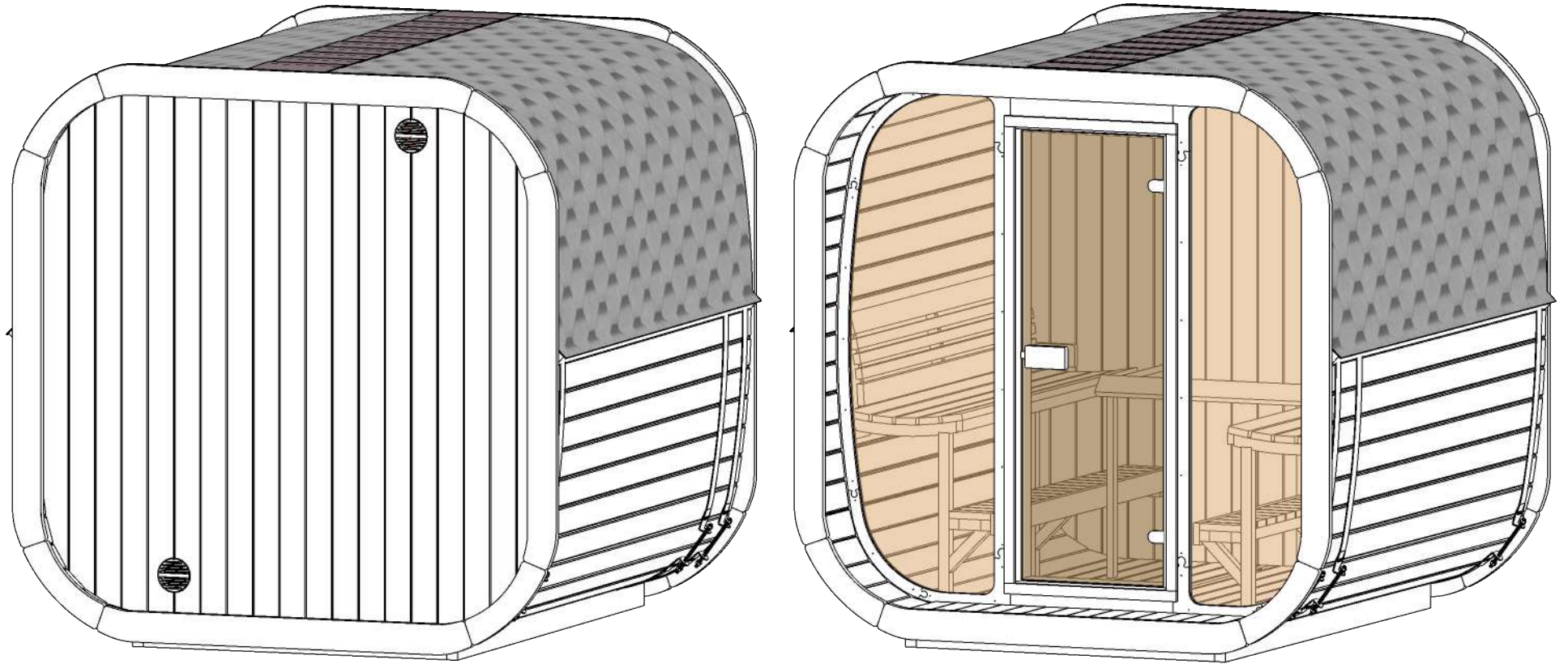


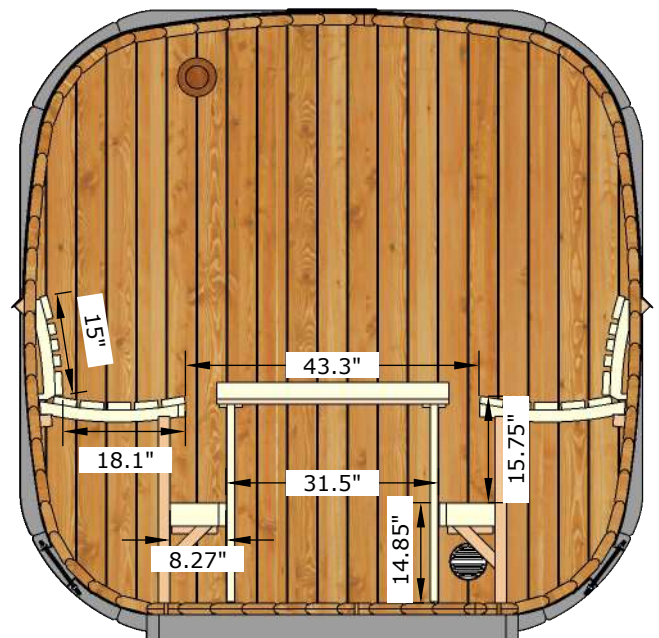
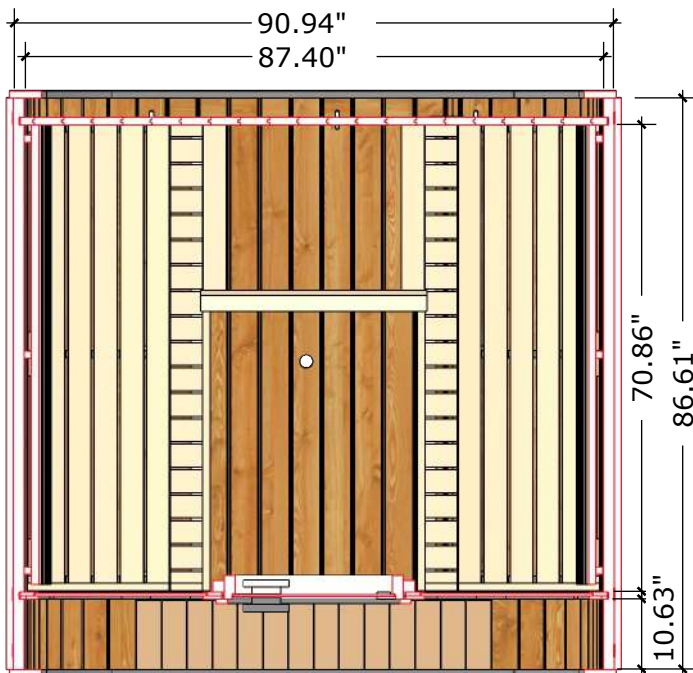
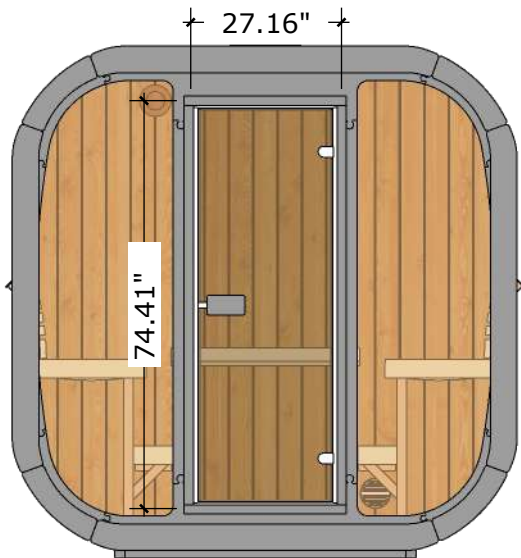


Cube Luxury Series CL7G Outdoor Sauna
87D" x 91W" x 93H"

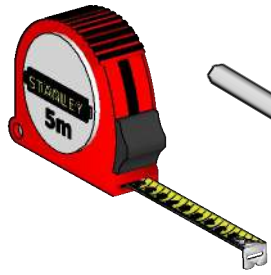


Note: Please read manual before construction

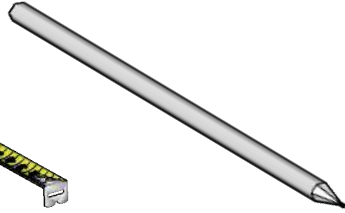
Rev: 1.0_6/2024



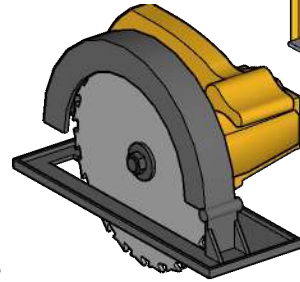
Tools needed



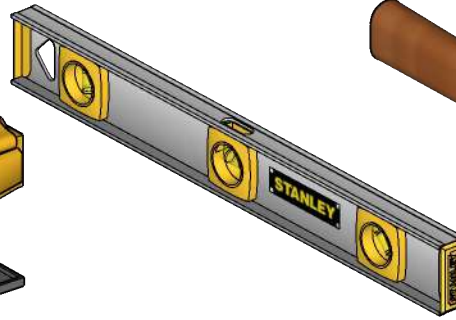
Measuring tape



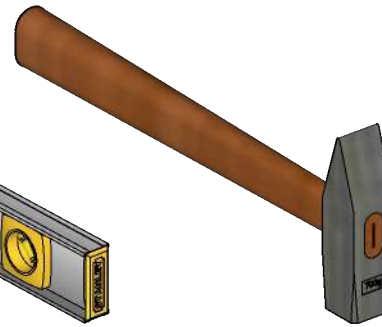
Marker pen



Circular saw



Water level



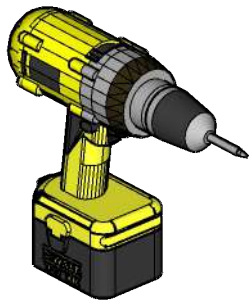
Hammer



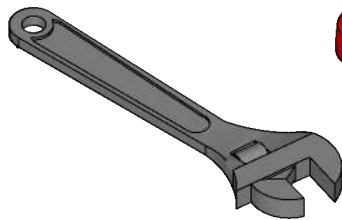
Extra hands



Screwdriver



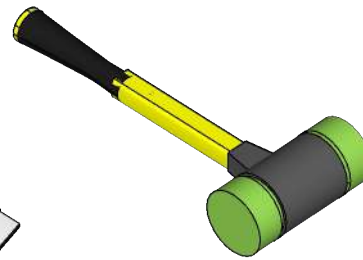
Drill



Crescent wrench



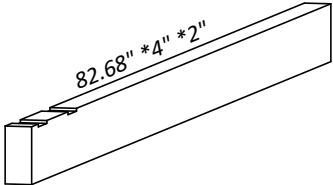
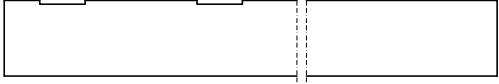
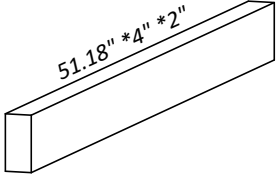

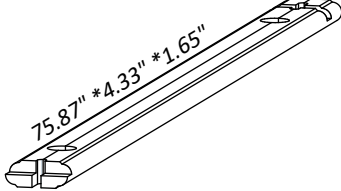
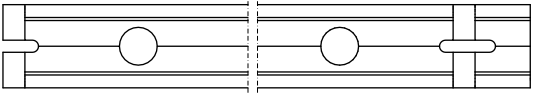
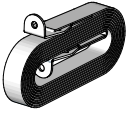
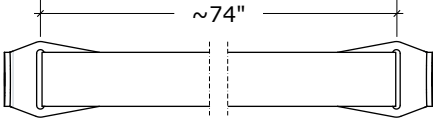
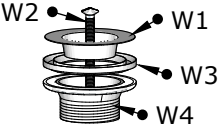
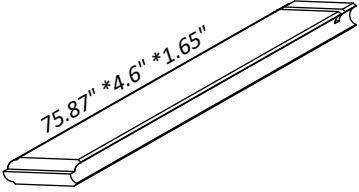
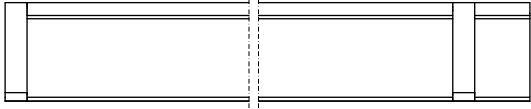
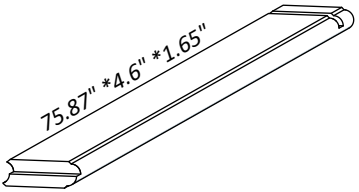

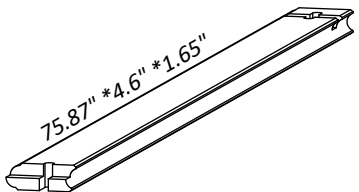
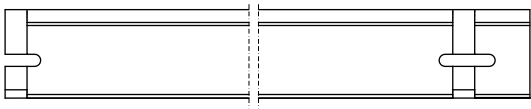
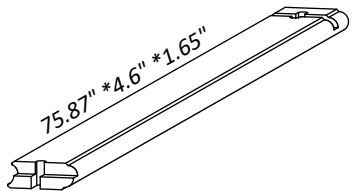

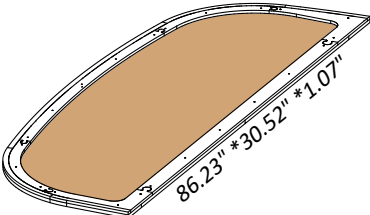
Utility knife

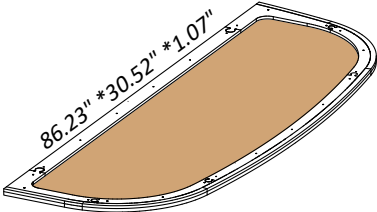
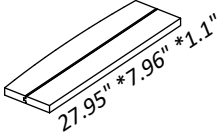
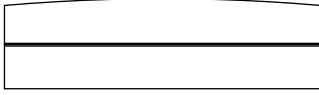
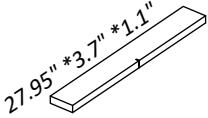
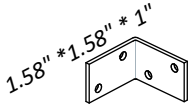
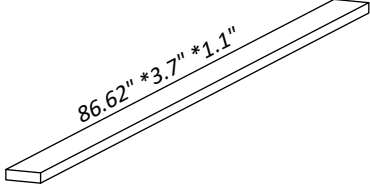
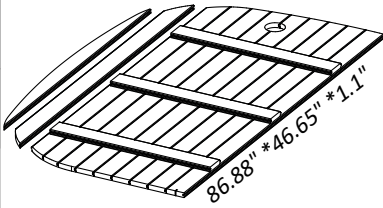
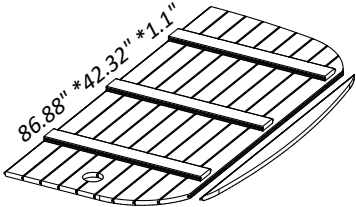
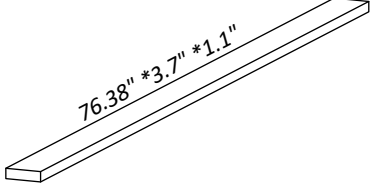
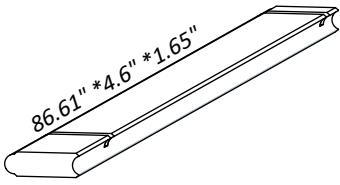
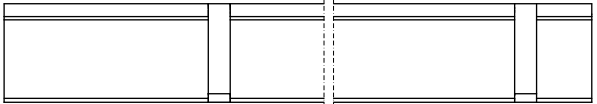
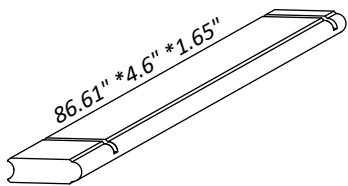
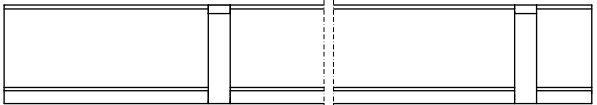


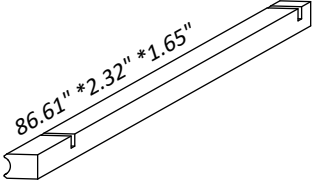

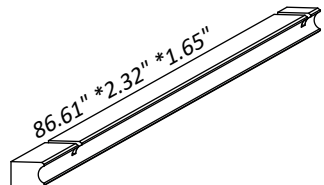

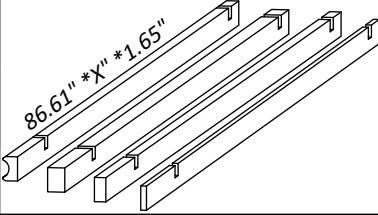

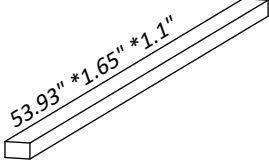
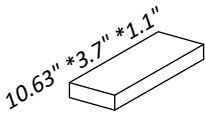
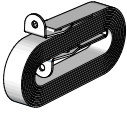
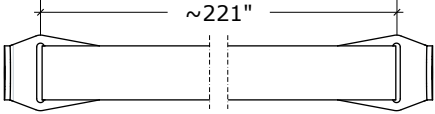


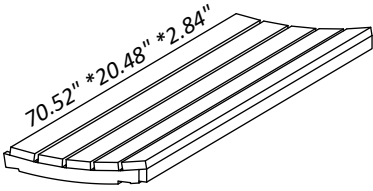
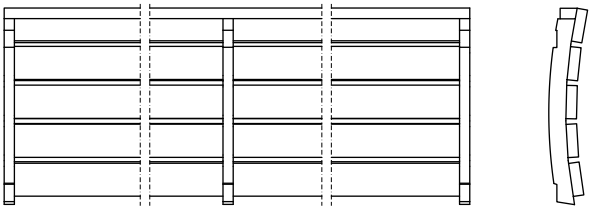
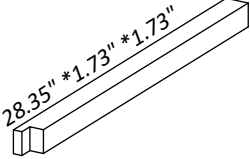
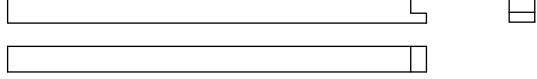
Rubber mallet

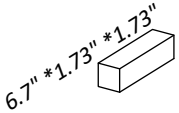
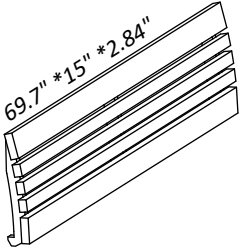
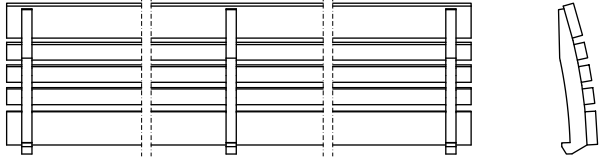
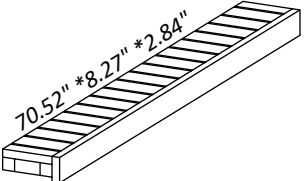

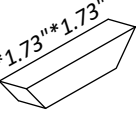

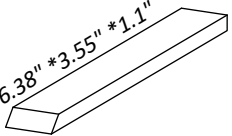

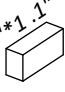
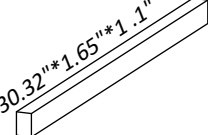
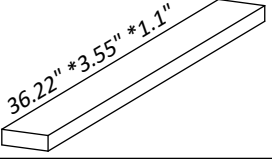
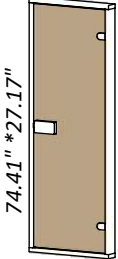
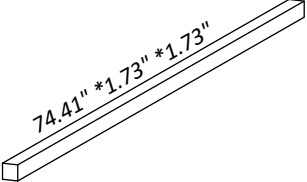


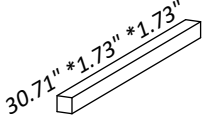
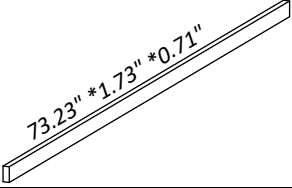
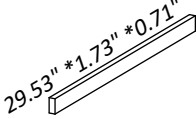
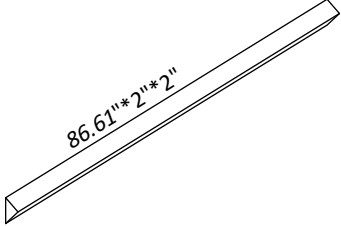

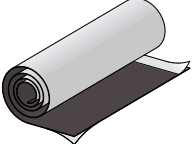
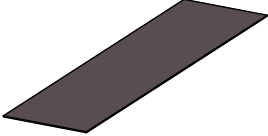

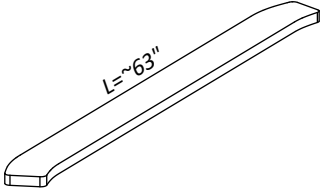
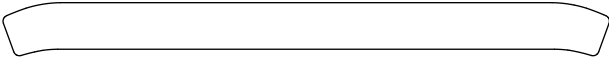
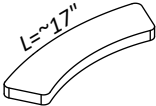

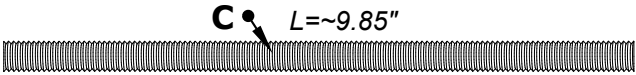





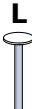
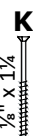
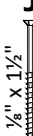
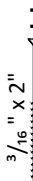
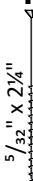
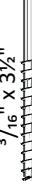
Ratchet strap

<p>DET 1</p> <p>Article. K-SM100/2100XX</p>	<p>x2</p>		
<p>DET 2</p> <p>Article. K-SM100/1300</p>	<p>x6</p>		
<p>DET 3</p> <p>Article. T-STL117/1927XLM01</p>	<p>x1</p>		
<p>DET A1</p> <p>Article. MU-VIT1880-KLZN</p>	<p>x3</p>		
<p>DET W</p> <p>Article. MU-TRAPP</p>	<p>x2 kmpł</p>		
<p>DET 3b</p> <p>Article. T-STL117/1927-01V</p>	<p>x5</p>		
<p>DET 3a</p> <p>Article. T-STL117/1927-01P</p>	<p>x5</p>		
<p>DET 3b/H</p> <p>Article. T-STL117/1927-02V</p>	<p>x1</p>		
<p>DET 3a/H</p> <p>Article. T-STL117/1927-02P</p>	<p>x1</p>		
<p>DET Sb</p> <p>Article. IC-TE-26-PR-12/15V</p>	<p>x1</p>		

<p>DET Sa</p> <p>Article. IC-TE-26-PR-12/15P</p>	<p>x1</p>		
<p>DET Ta</p> <p>Article. T-SL117/710UK1</p>	<p>x1</p>		
<p>DET Tb</p> <p>Article. T-TL94/710J</p>	<p>x1</p>		
<p>DET V</p> <p>Article. KI-VIN-25/40/40-ZN</p>	<p>x4</p>		
<p>DET U1</p> <p>Article. K-TL94/2200</p>	<p>x1</p>		
<p>DET Y1</p> <p>Article. T-IC-PTS-226/28-V</p>	<p>x1</p>		
<p>DET Y2</p> <p>Article. T-IC-PTS-226/28-P</p>	<p>x1</p>		
<p>DET U2</p> <p>Article. K-TL94/1940</p>	<p>x1</p>		
<p>DET 3d</p> <p>Article. T-STL117/2200-01V</p>	<p>x31</p>		
<p>DET 3c</p> <p>Article. T-STL117/2200-01P</p>	<p>x30</p>		

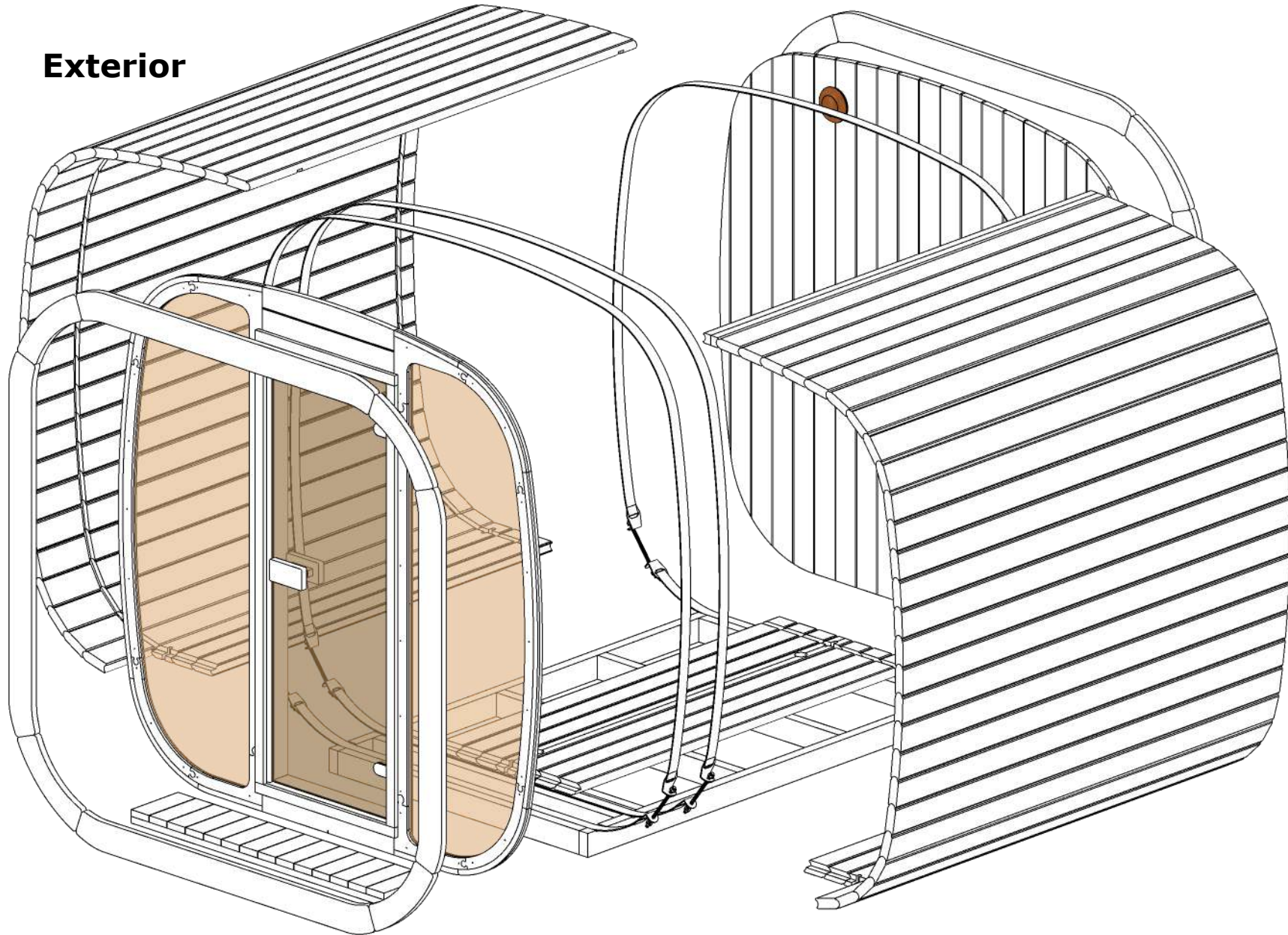
<p>DET 6a</p> <p>Article. T-STL117/2200XL-01P</p>	<p>x1</p>		
<p>DET 6b</p> <p>Article. T-STL117/2200XL-01V</p>	<p>x1</p>		
<p>DET 6c/d/e/f</p> <p>Article. T-STL117/2200KO-01</p>	<p>x1</p>		
<p>DET 4a</p> <p>Article. T-TL42/1370</p>	<p>x2</p>		
<p>DET 4b</p> <p>Article. T-TL94/270</p>	<p>x15</p>		
<p>DET A2</p> <p>Article. MU-VIT5600-KLZN</p>	<p>x3</p>		
<p>DET G</p> <p>Article. MU-VENT-100-PU</p>	<p>x1</p>		
<p>DET F</p> <p>Article. MU-VENT-100-ZN</p>	<p>x3</p>		
<p>DET 10</p> <p>Article. TL-LAMOD-1791-KA01</p>	<p>x2</p>		
<p>DET 10b</p> <p>Article. T-HP44/720XP01</p>	<p>x4</p>		

<p>DET 10c</p> <p>Article. T-HP44/170</p>	<p>x6</p>	 <p>6.7" * 1.73" * 1.73"</p>	
<p>DET 11</p> <p>Article. TL-STMOD-1770-KA01</p>	<p>x2</p>	 <p>69.7" * 15" * 2.84"</p>	
<p>DET 12</p> <p>Article. TL-LAMOD-1791/210</p>	<p>x2</p>	 <p>70.52" * 8.27" * 2.84"</p>	
<p>DET 12a</p> <p>Article. T-HP44/250XP-XP</p>	<p>x4</p>	 <p>9.85" * 1.73" * 1.73"</p>	
<p>DET 15a</p> <p>Article. TL-LAV90/670XP</p>	<p>x2</p>	 <p>26.38" * 3.55" * 1.1"</p>	
<p>DET 15b</p> <p>Article. TL-LAV42/90</p>	<p>x2</p>	 <p>3.55" * 1.65" * 1.1"</p>	
<p>DET 15c</p> <p>Article. TL-LAV42/770</p>	<p>x2</p>	 <p>30.32" * 1.65" * 1.1"</p>	
<p>DET 15d</p> <p>Article. TL-LAV90/920</p>	<p>x1</p>	 <p>36.22" * 3.55" * 1.1"</p>	
<p>DET 21</p> <p>Article. U-KL-7/19-PR</p>	<p>x1</p>	 <p>74.41" * 27.17"</p>	
<p>DET 21c</p> <p>Article. K-HP44/1890</p>	<p>x2</p>	 <p>74.41" * 1.73" * 1.73"</p>	

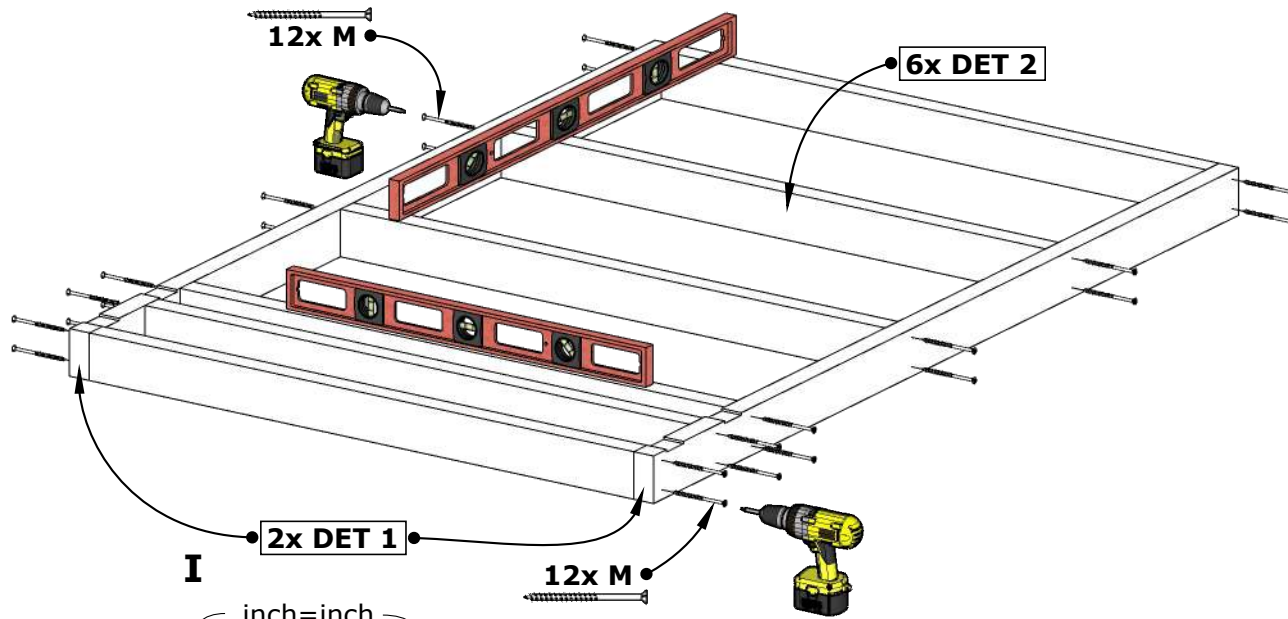
<p>DET 21d</p> <p>Article. K-HP44/780</p>	<p>x2</p>		
<p>DET 21a</p> <p>Article. K-HL44/1860</p>	<p>x2</p>		
<p>DET 21b</p> <p>Article. K-HL44/750</p>	<p>x2</p>		
<p>DET 22</p> <p>Article. T-STL-2200-XX</p>	<p>x2</p>		
<p>Underlay felt</p> <p>Article. KAT-AL</p>	<p>39' 5"</p>		
<p>DET N</p> <p>Article. KAT-HAR-MUST</p>	<p>x9</p>		
<p>DET O</p> <p>Article. KAT-SIN-MUST</p>	<p>x77</p>		
<p>DET 25a</p> <p>Article. MU-OL-IC-226-1</p>	<p>x8</p>		
<p>DET 25b</p> <p>Article. MU-OL-IC-226-2</p>	<p>x8</p>		
<p>Article. KI-KERL-12-RV6</p>  <p>D  x12</p> <p>E  x12</p> <p> x6</p>		<p>Article. KI-USA-ICO-226</p> <p>Bit PH2  </p> <p>Torx bits T10 T15 T20 T25</p> <p>L  ~430</p> <p>K  1/8" x 1 1/4" x20</p> <p>J  1/8" x 1 1/2" x60</p> <p>I  3/16" x 2" x40</p> <p>H  5/32" x 2 1/4" x340</p> <p>M  3/16" x 3 1/2" x80</p>	

CL7G Outdoor Sauna 87D" x 91W" x 93H"

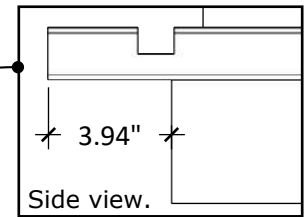
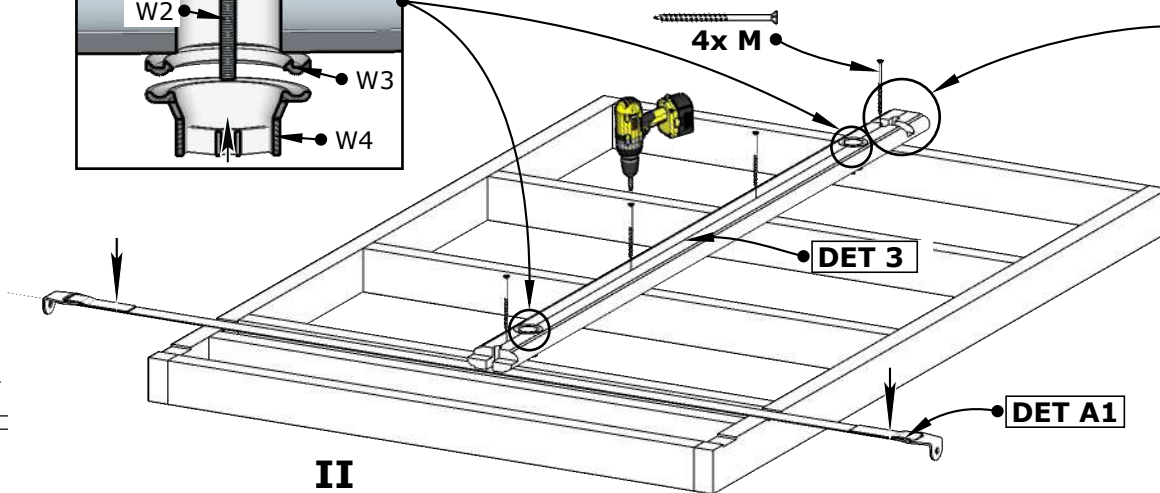
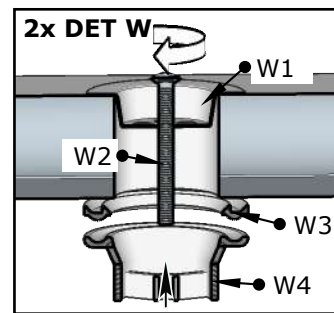
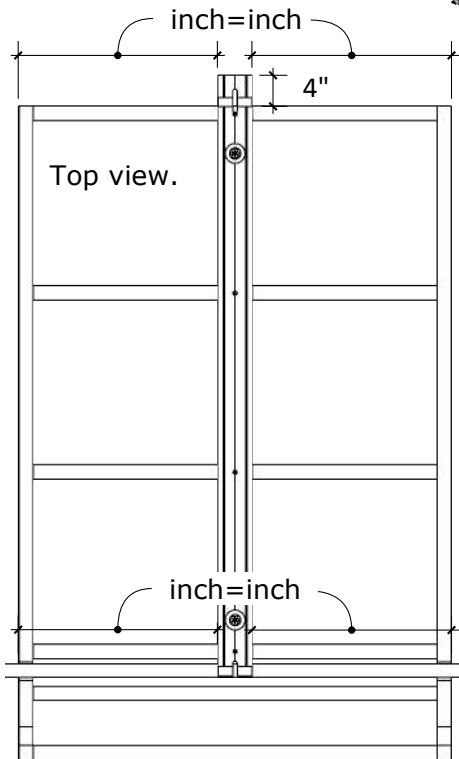
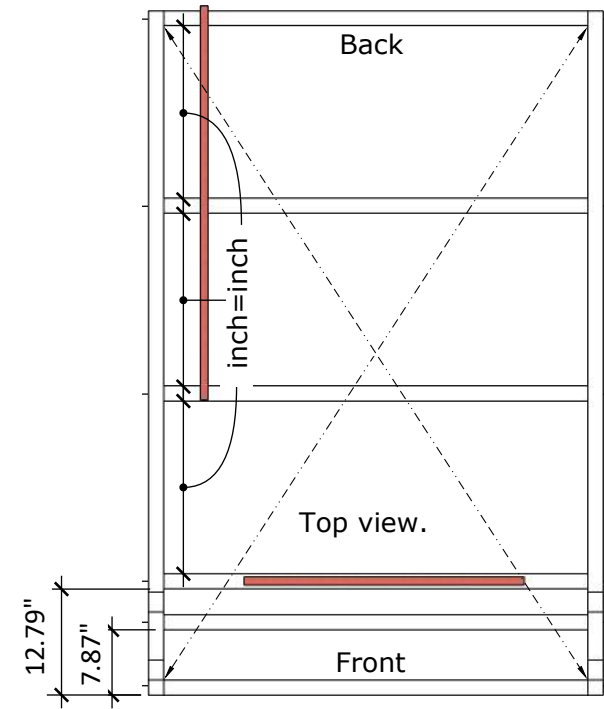
Exterior



CL7G Outdoor Sauna 87D" x 91W" x 93H"

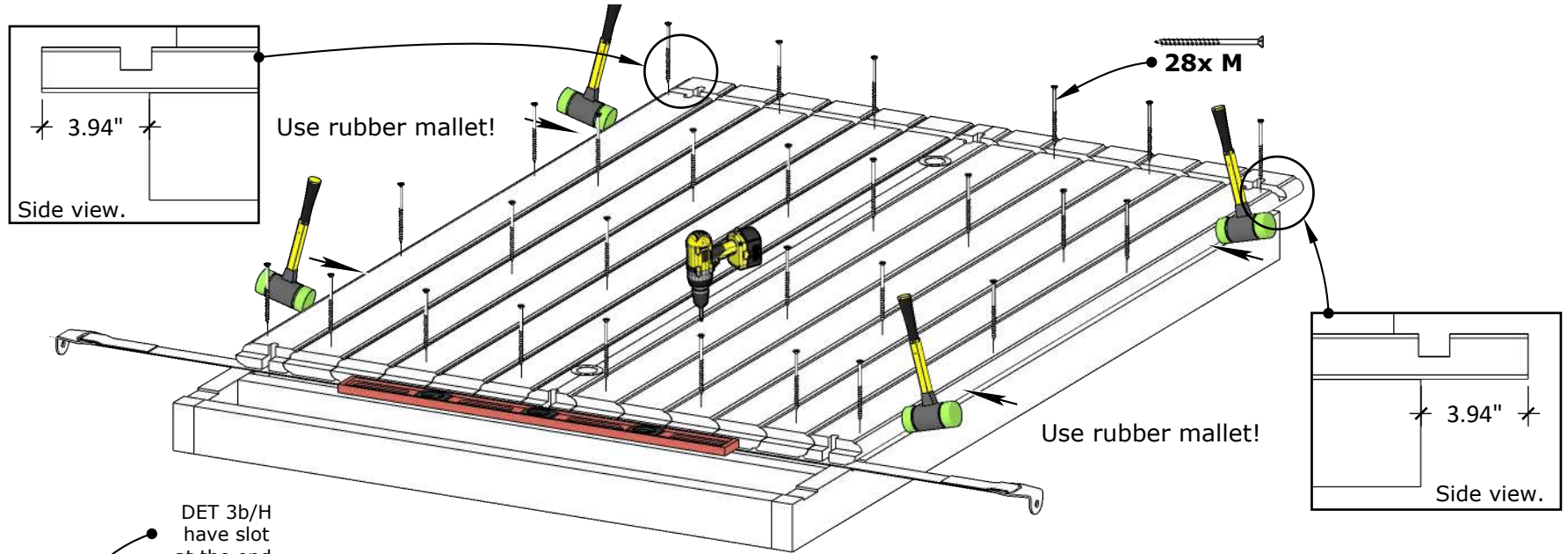


Diagonal measurements should be equal!

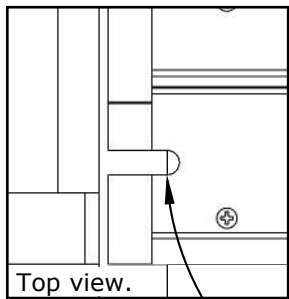
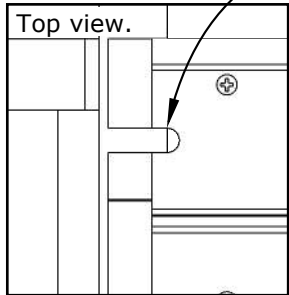


Attention!
Install DET A1
before DET 3.

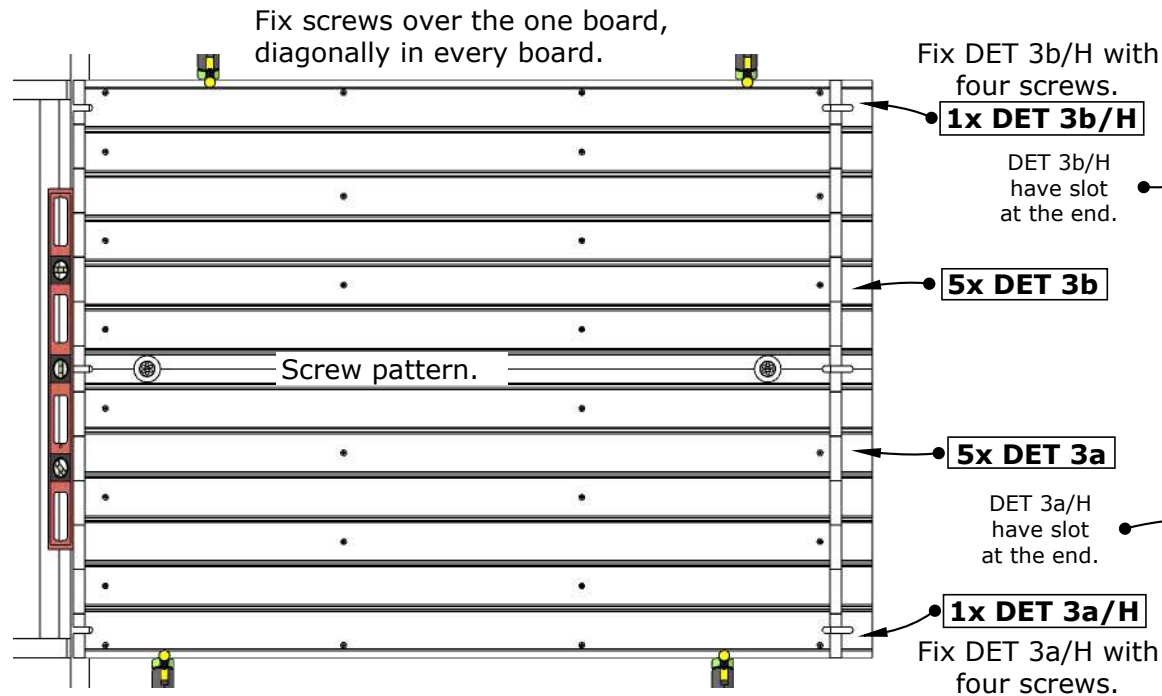
CL7G Outdoor Sauna 87D" x 91W" x 93H"



DET 3b/H have slot at the end.



DET 3a/H have slot at the end.



Fix DET 3b/H with four screws.

1x DET 3b/H

DET 3b/H have slot at the end.

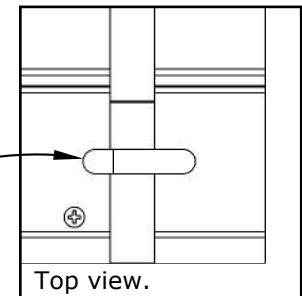
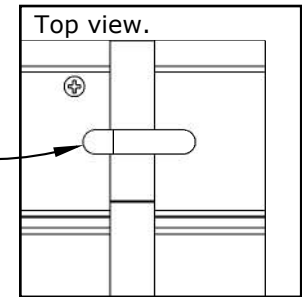
5x DET 3b

5x DET 3a

DET 3a/H have slot at the end.

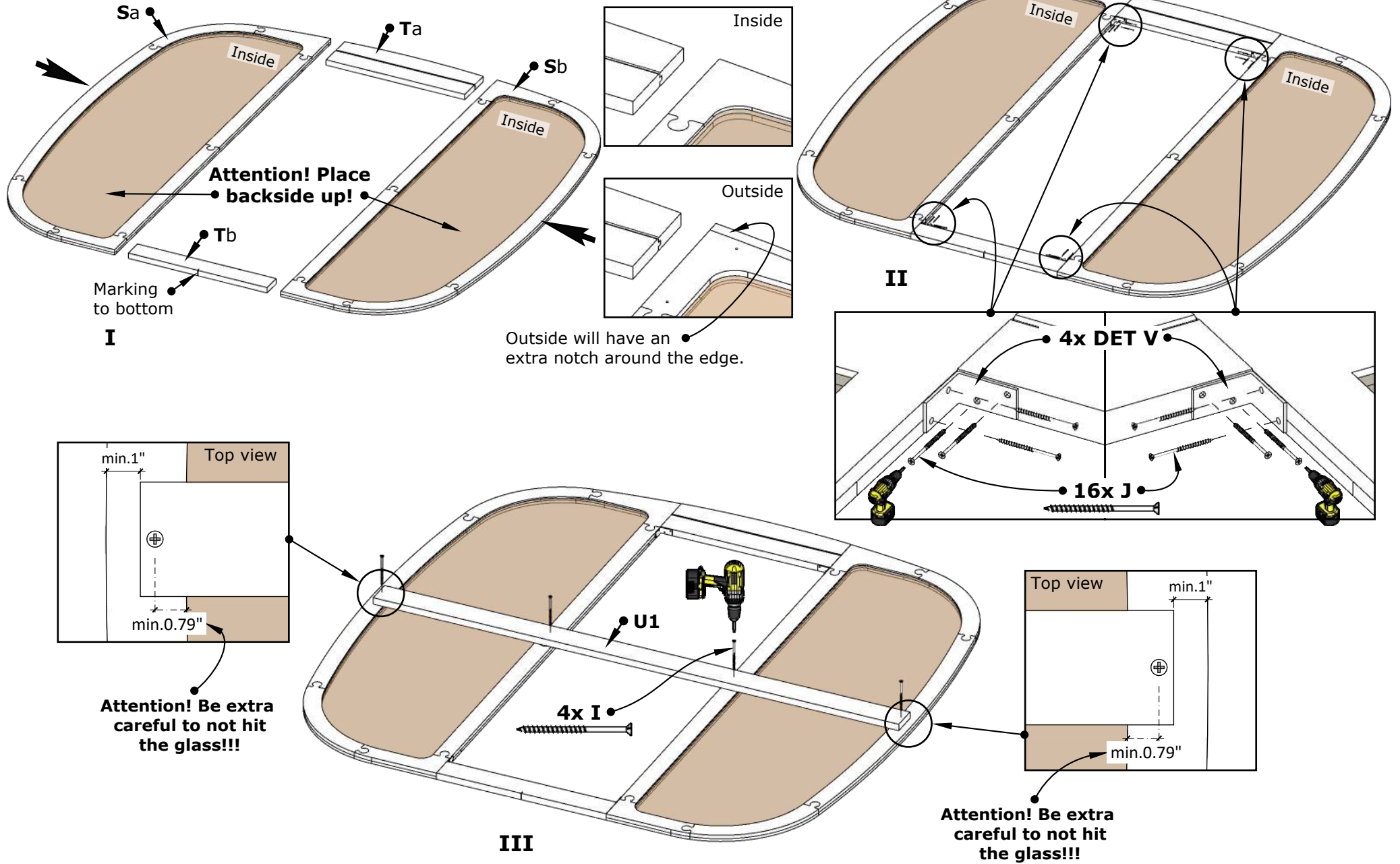
1x DET 3a/H

Fix DET 3a/H with four screws.



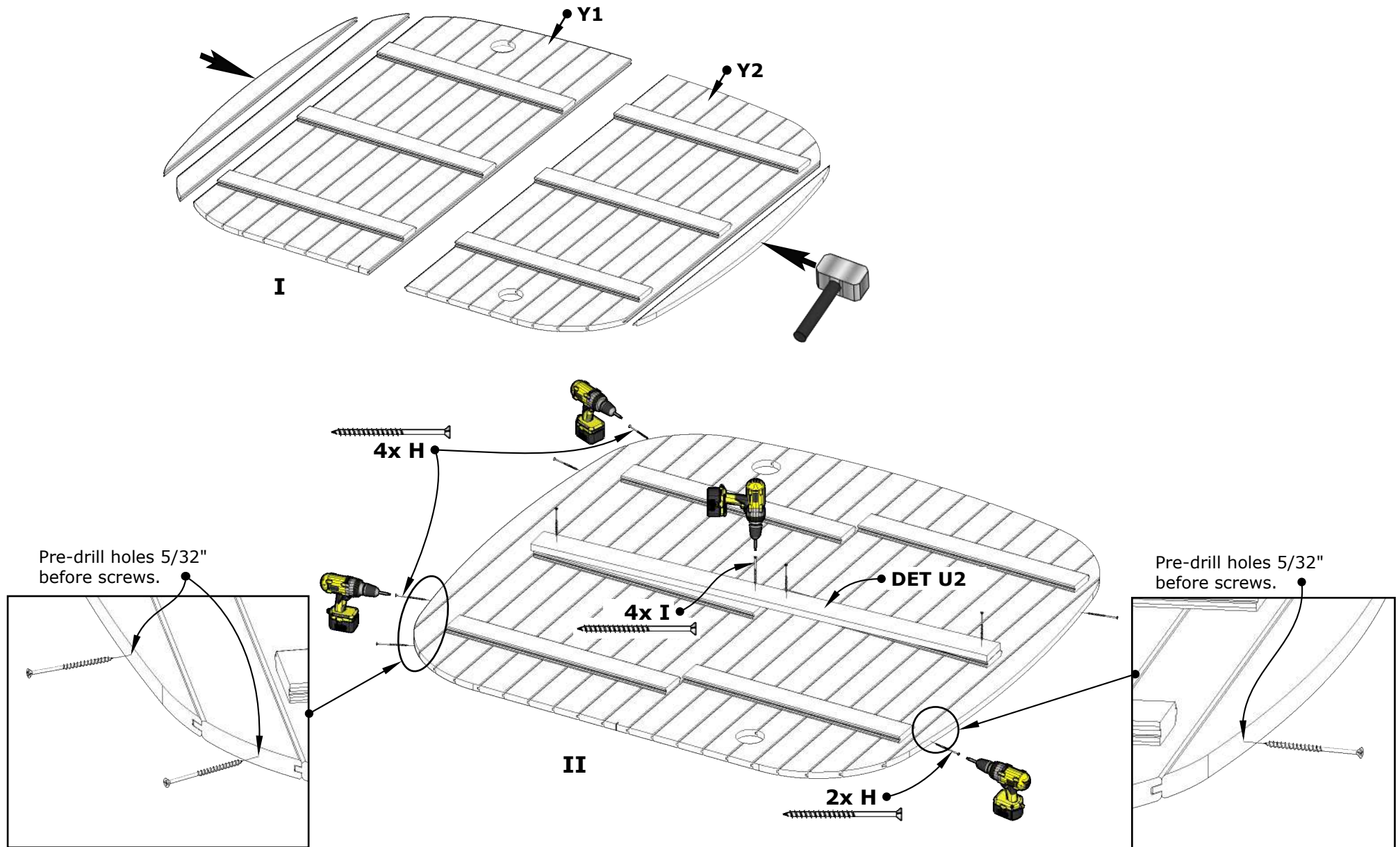
CL7G Outdoor Sauna 87D" x 91W" x 93H"

Front glass-wall assembly

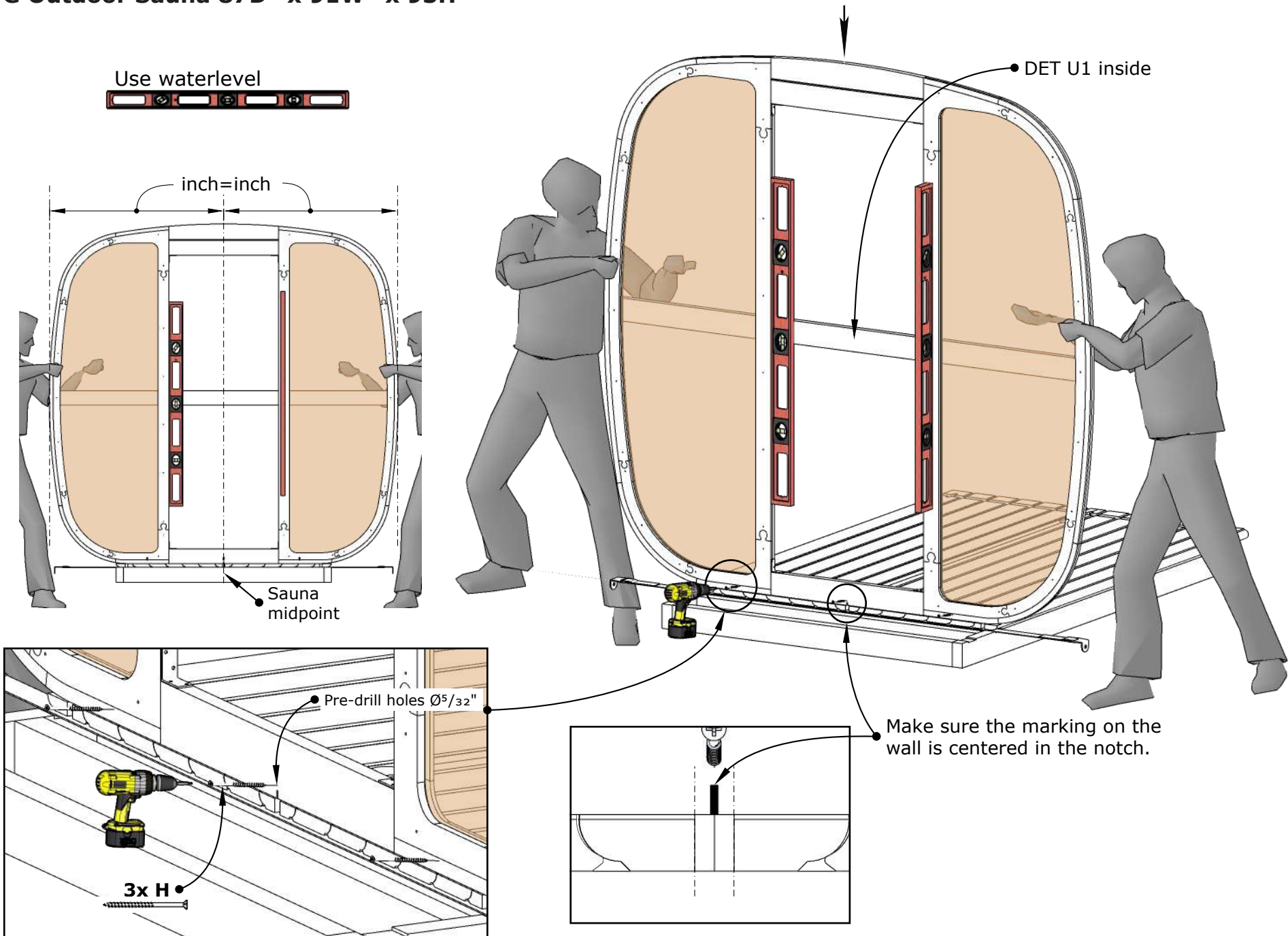


CL7G Outdoor Sauna 87D" x 91W" x 93H"

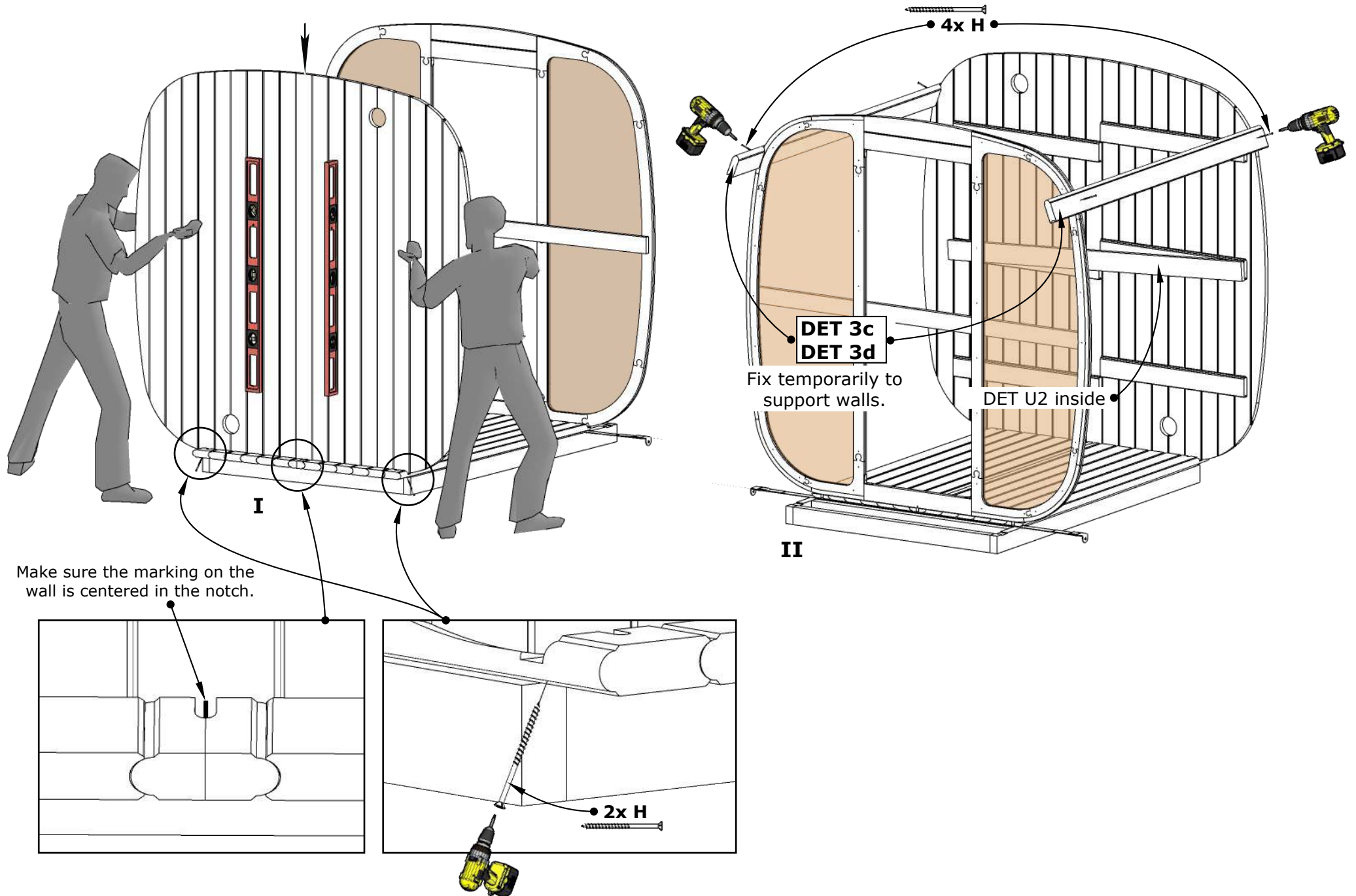
Wooden back wall assembly



CL7G Outdoor Sauna 87D" x 91W" x 93H"



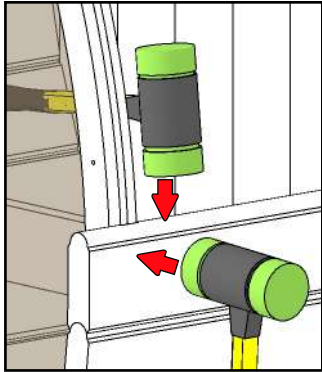
CL7G Outdoor Sauna 87D" x 91W" x 93H"



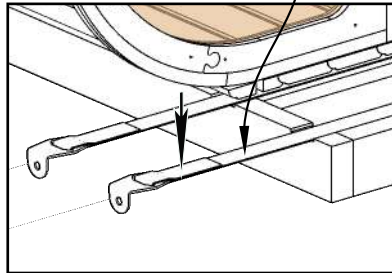
CL7G Outdoor Sauna 87D" x 91W" x 93H"

Remove DET 3c/d from their temporary positions and use during the next step.

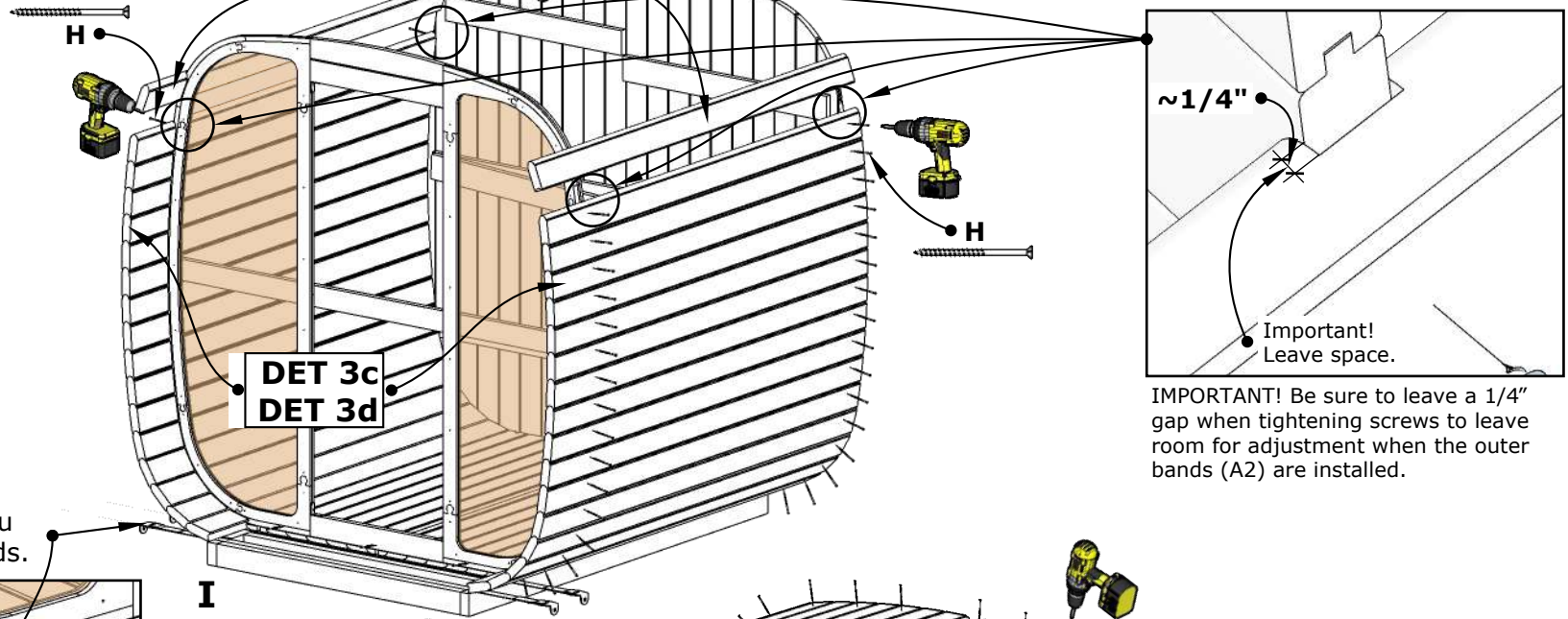
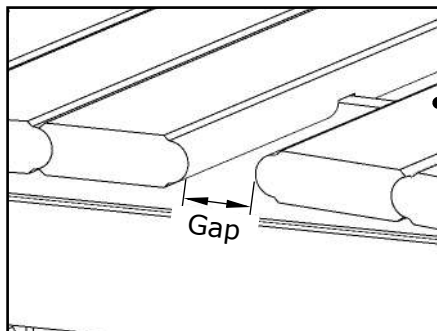
Use rubber mallet!



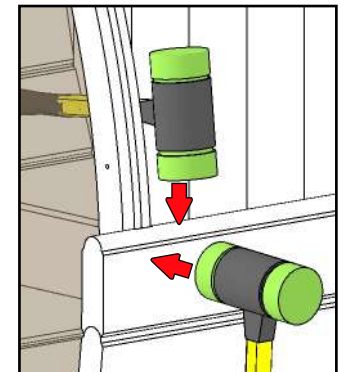
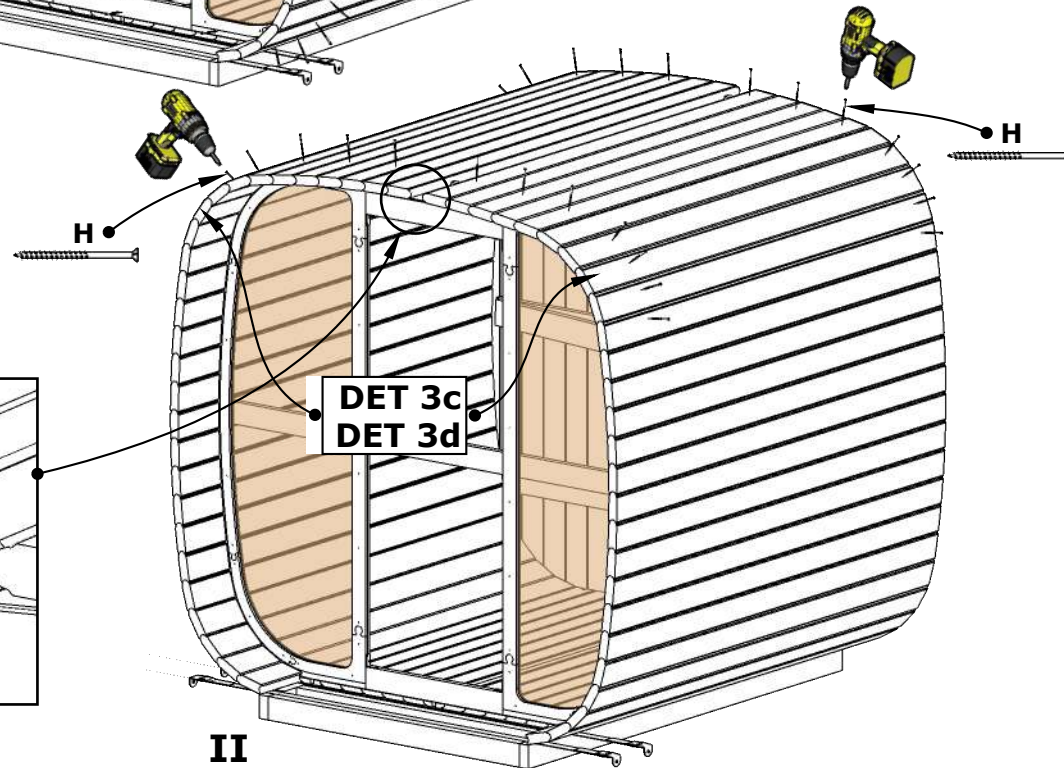
Place DET A1 before you start installing wallboards.



See the next page.

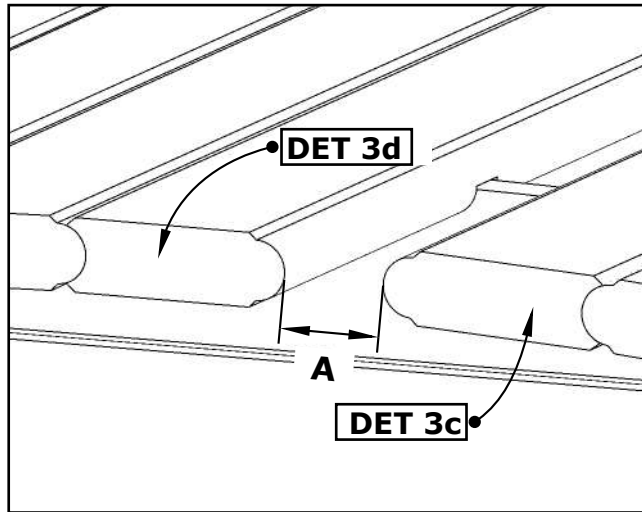


IMPORTANT! Be sure to leave a 1/4" gap when tightening screws to leave room for adjustment when the outer bands (A2) are installed.

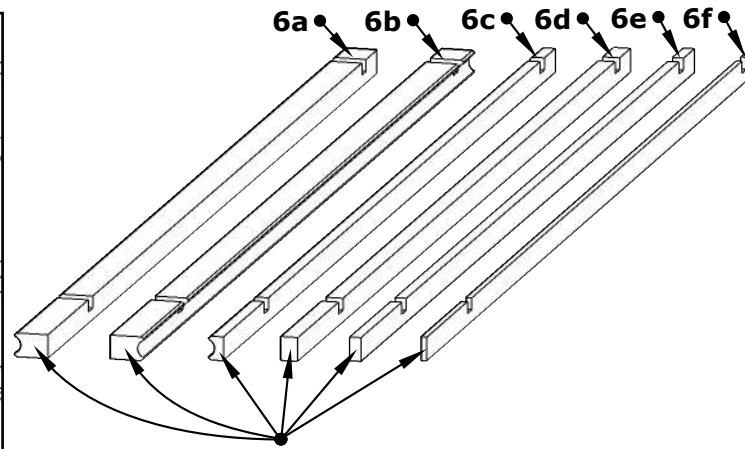


Use rubber mallet!

CL7G Outdoor Sauna 87D" x 91W" x 93H"

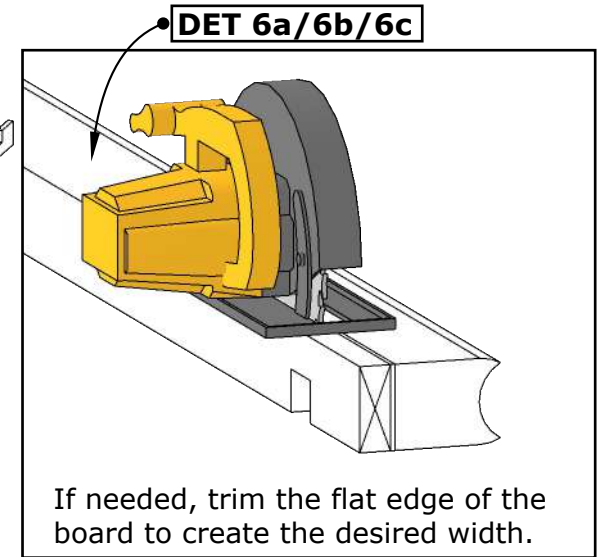


I

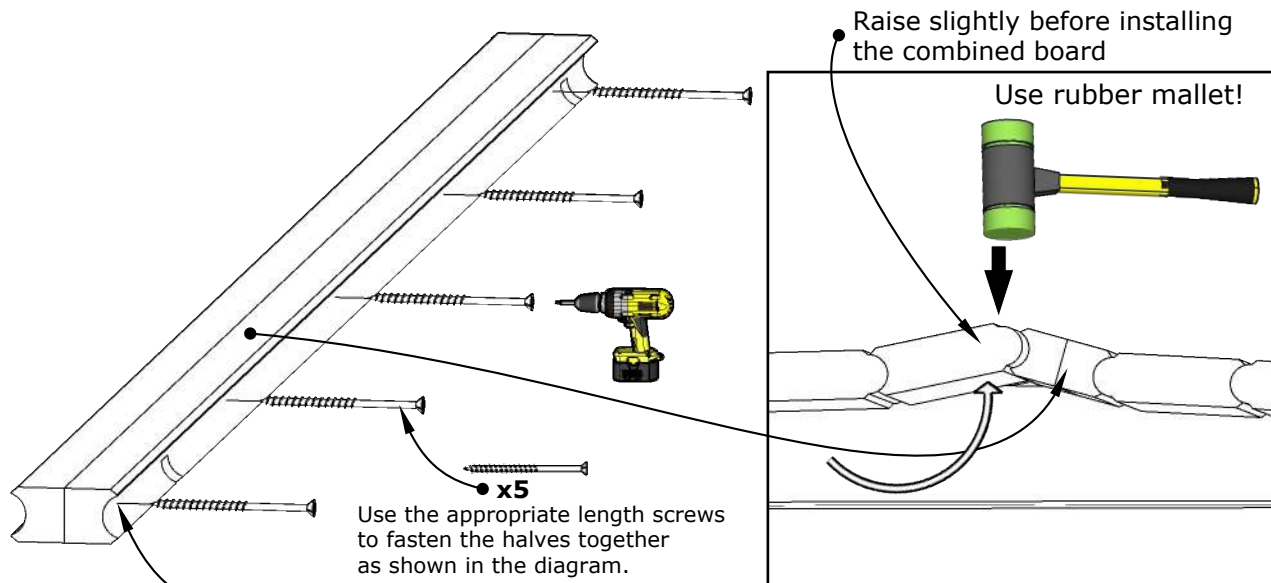


Join boards together (as shown in diagram III) that will bridge the width of the "A" gap. It is recommended that the combined boards are approximately 1/4" wider than the gap.

II



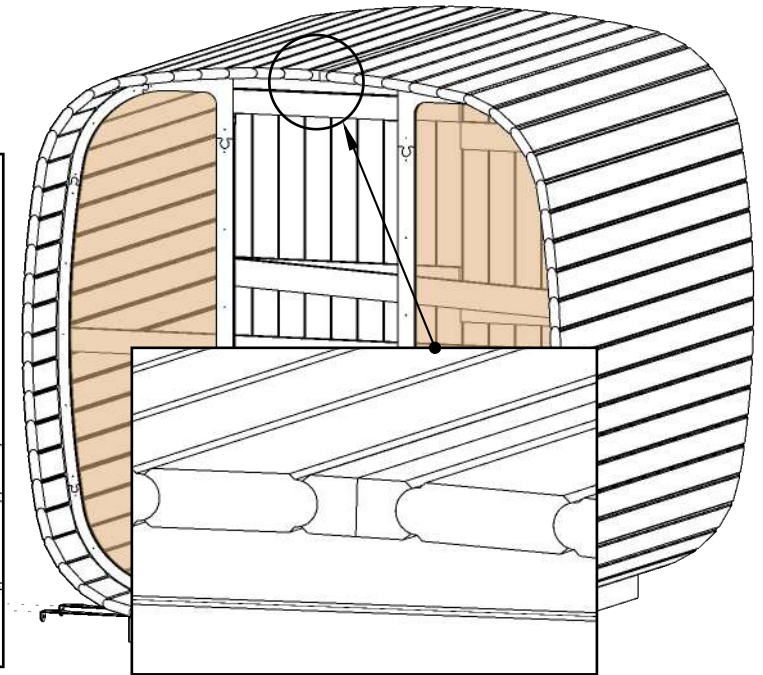
If needed, trim the flat edge of the board to create the desired width.



III

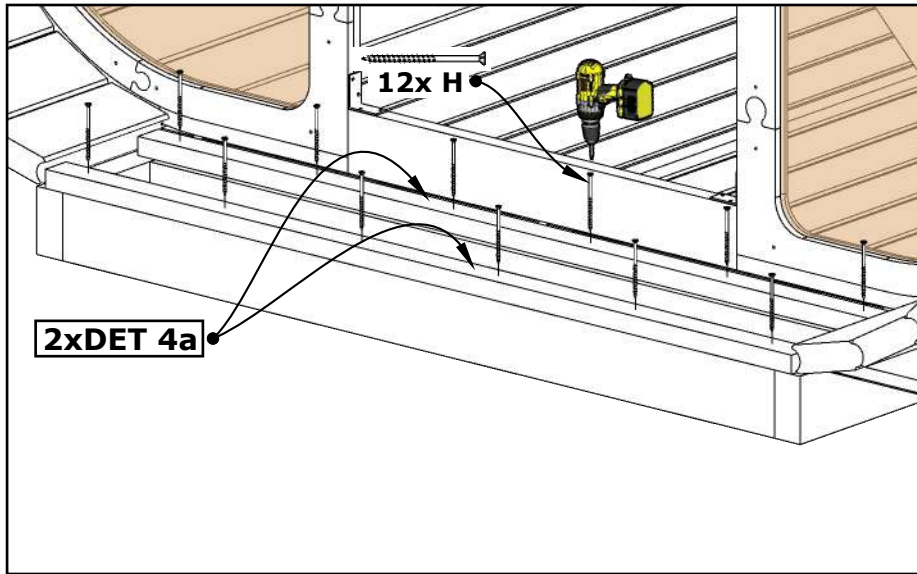
• Pre-drill holes Ø1/8"

• x5
Use the appropriate length screws to fasten the halves together as shown in the diagram.



IV

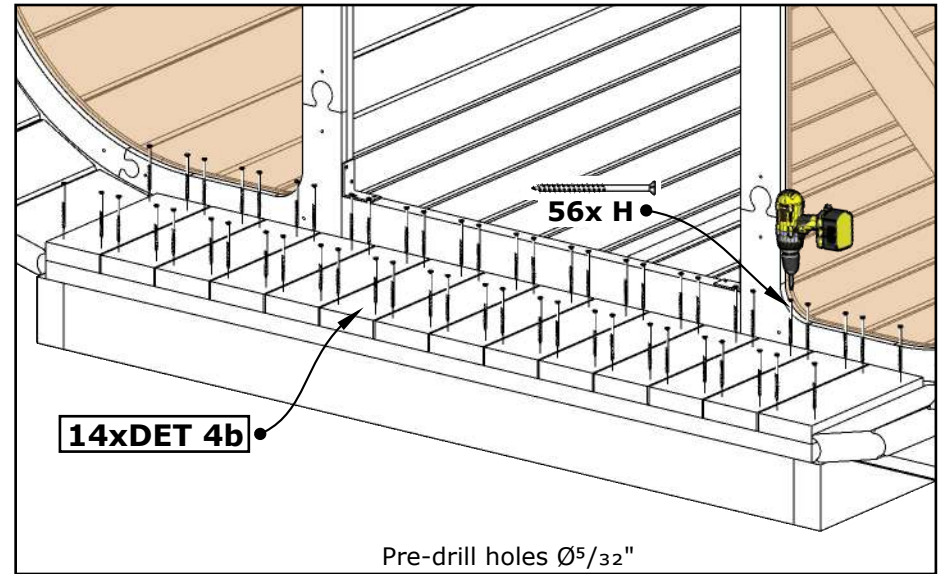
CL7G Outdoor Sauna 87D" x 91W" x 93H"



2xDET 4a

12x H

I

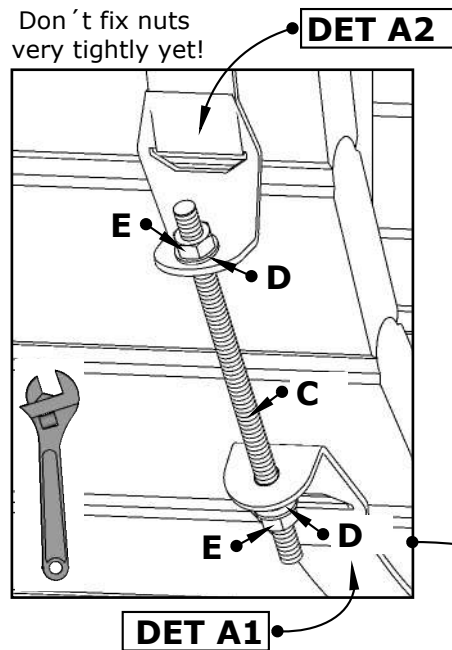


14xDET 4b

56x H

Pre-drill holes $\text{Ø}^{5/32}$ "

II



Don't fix nuts very tightly yet!

DET A2

E

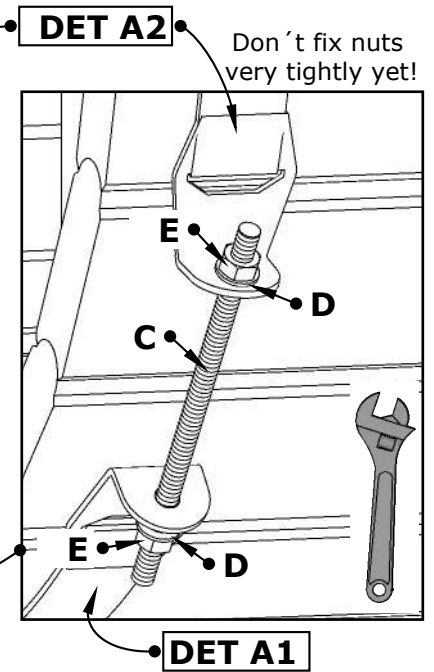
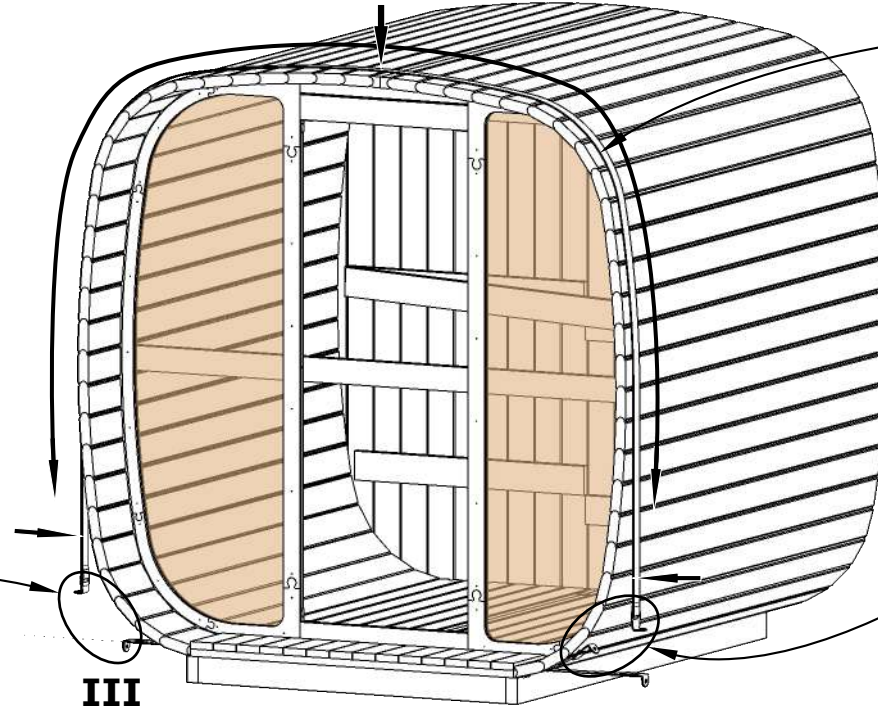
D

E

D

DET A1

III



DET A2

Don't fix nuts very tightly yet!

E

D

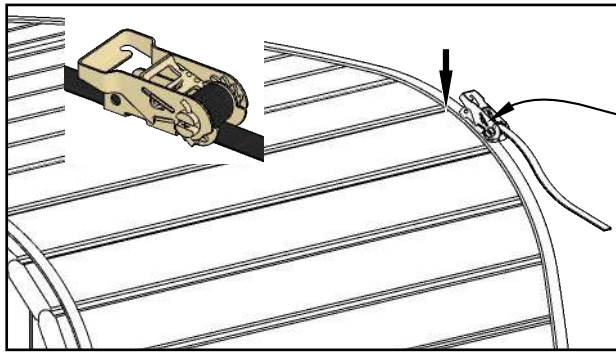
C

E

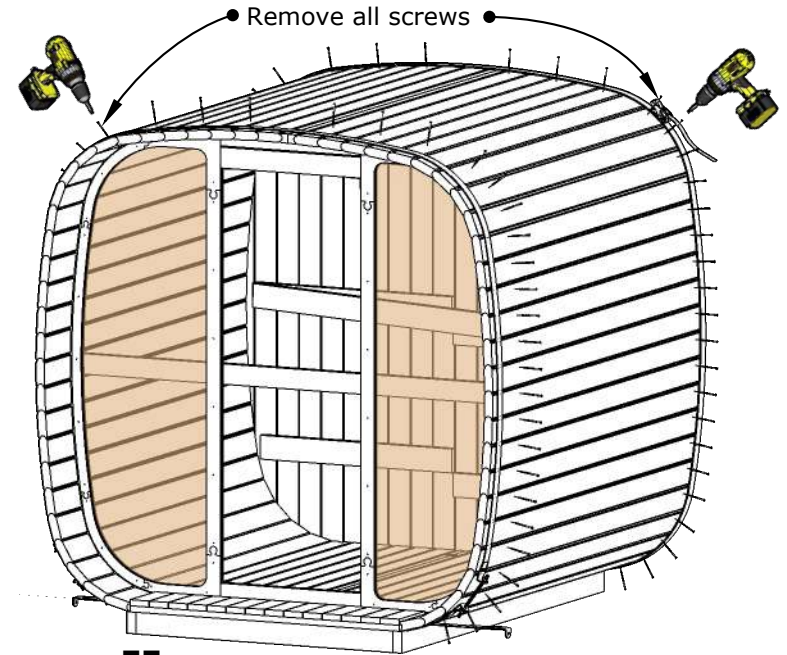
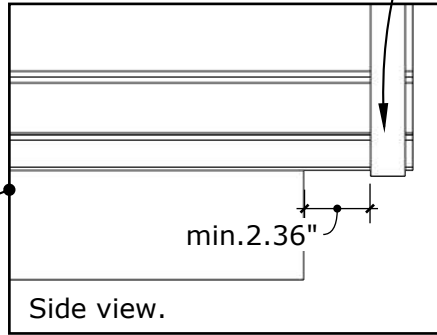
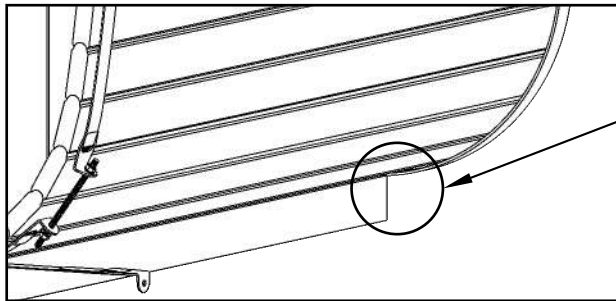
D

DET A1

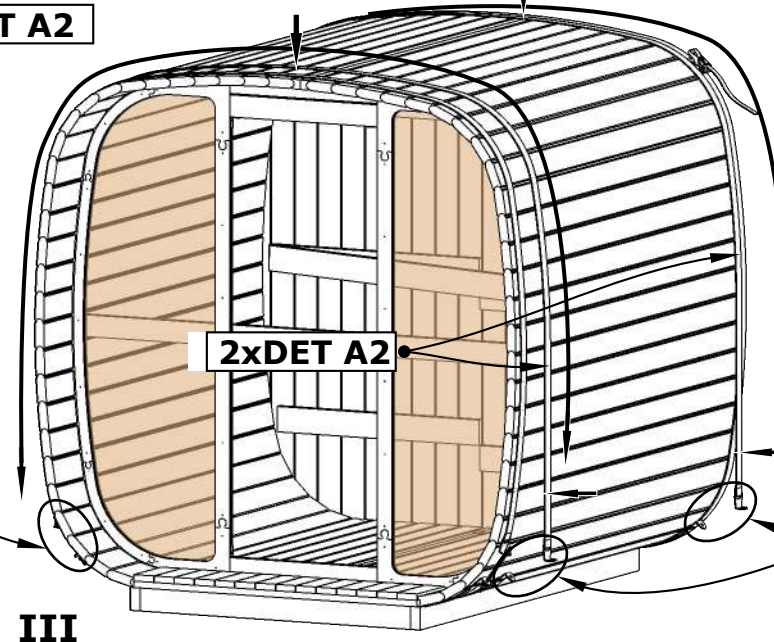
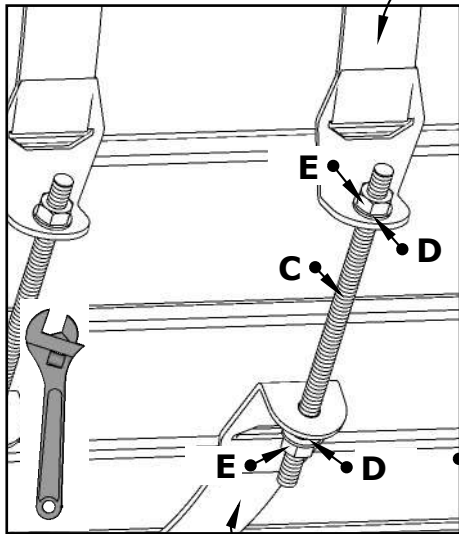
CL7G Outdoor Sauna 87D" x 91W" x 93H"



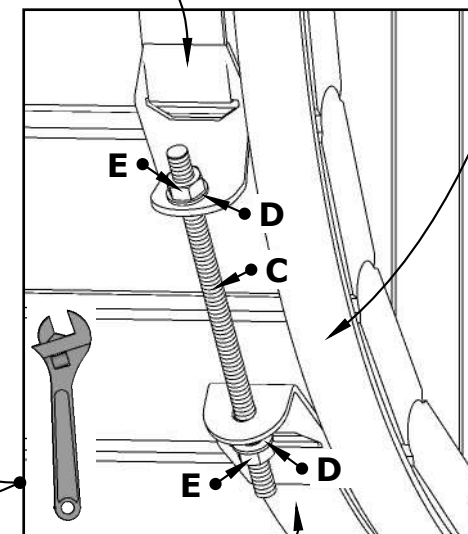
Place ratchet strap near the ends of the boards. Pay attention to measurement.



I Now fix all nuts tightly!

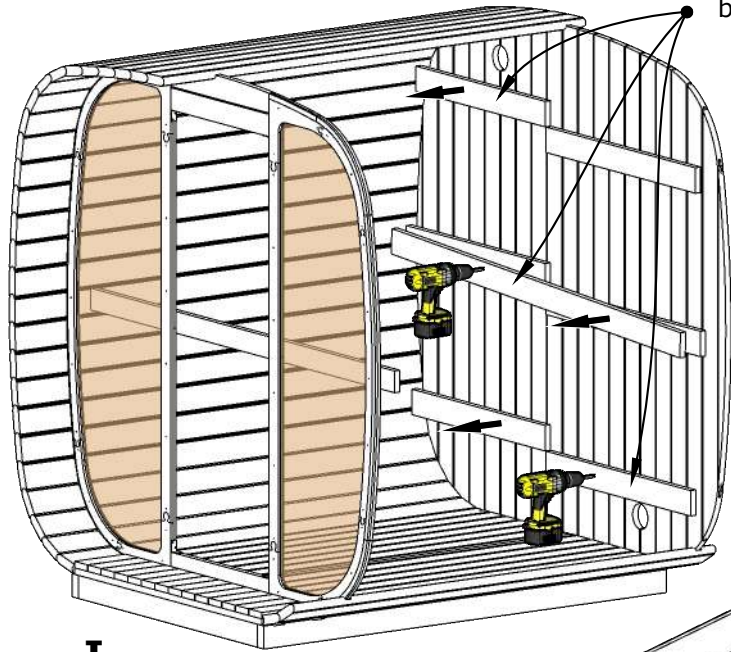


II Now fix all nuts tightly! Remove ratchet strap!

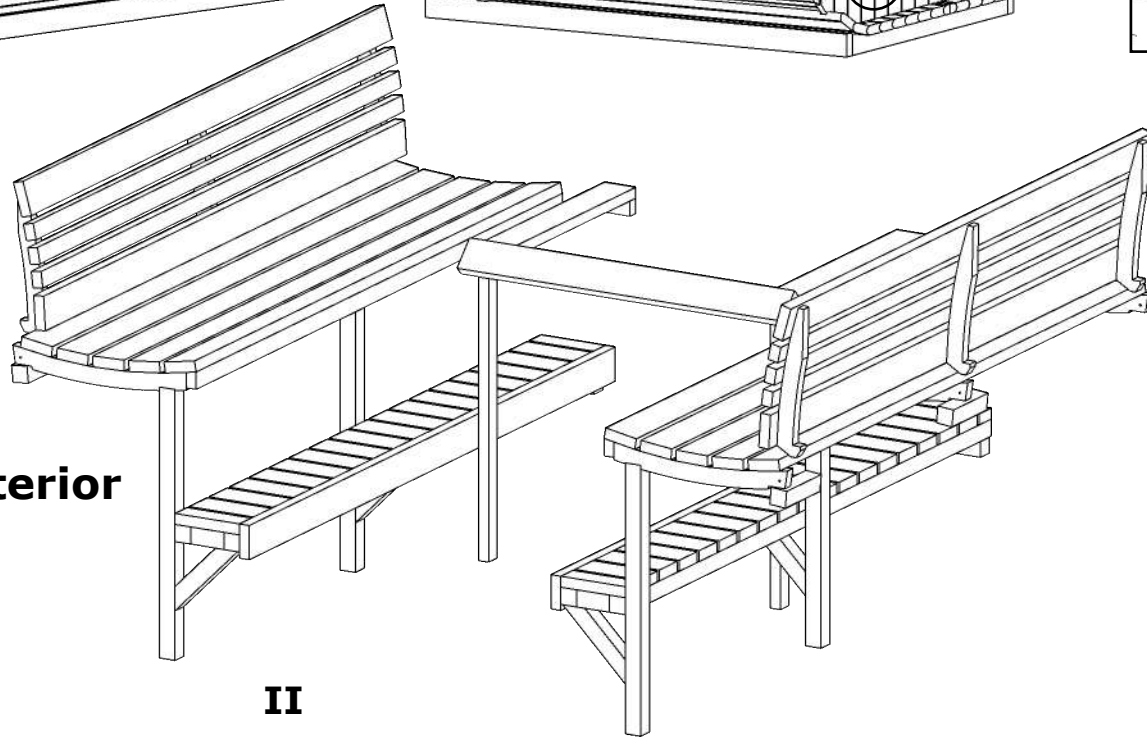
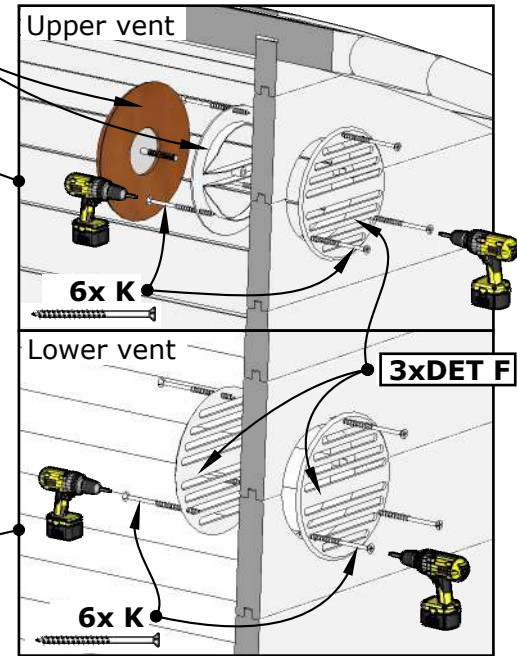
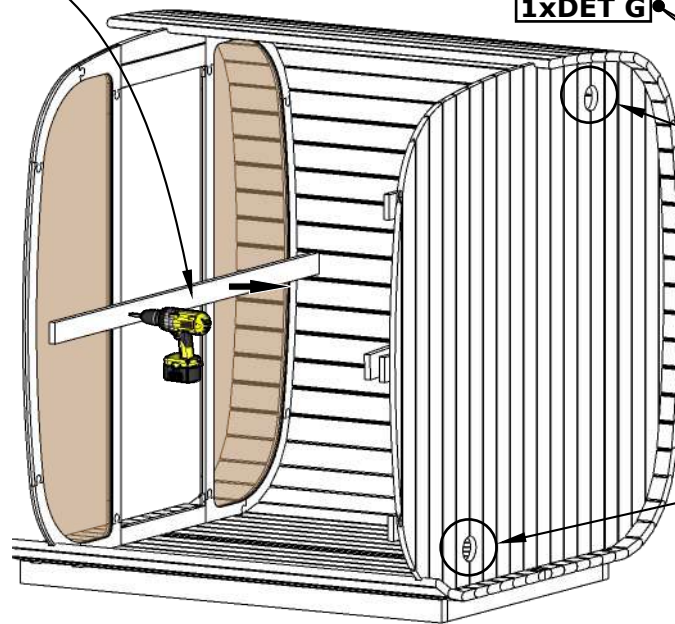


CL7G Outdoor Sauna 87D" x 91W" x 93H"

Remove all temporary braces



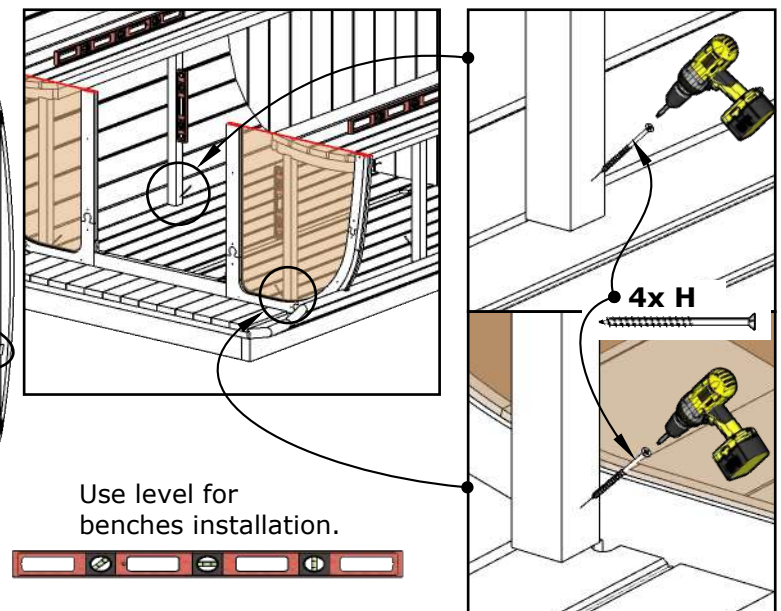
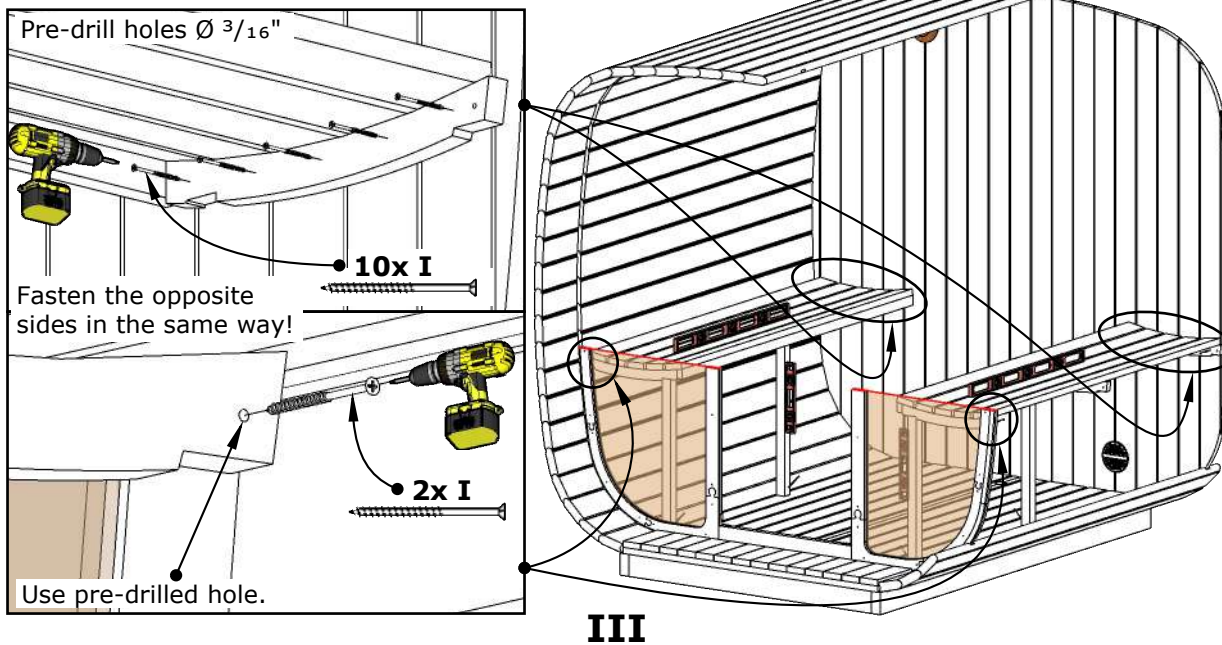
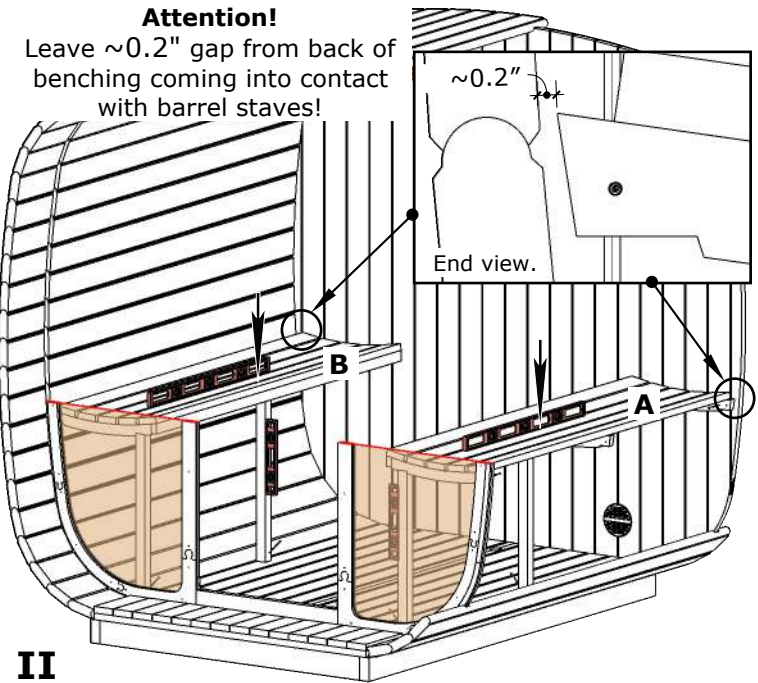
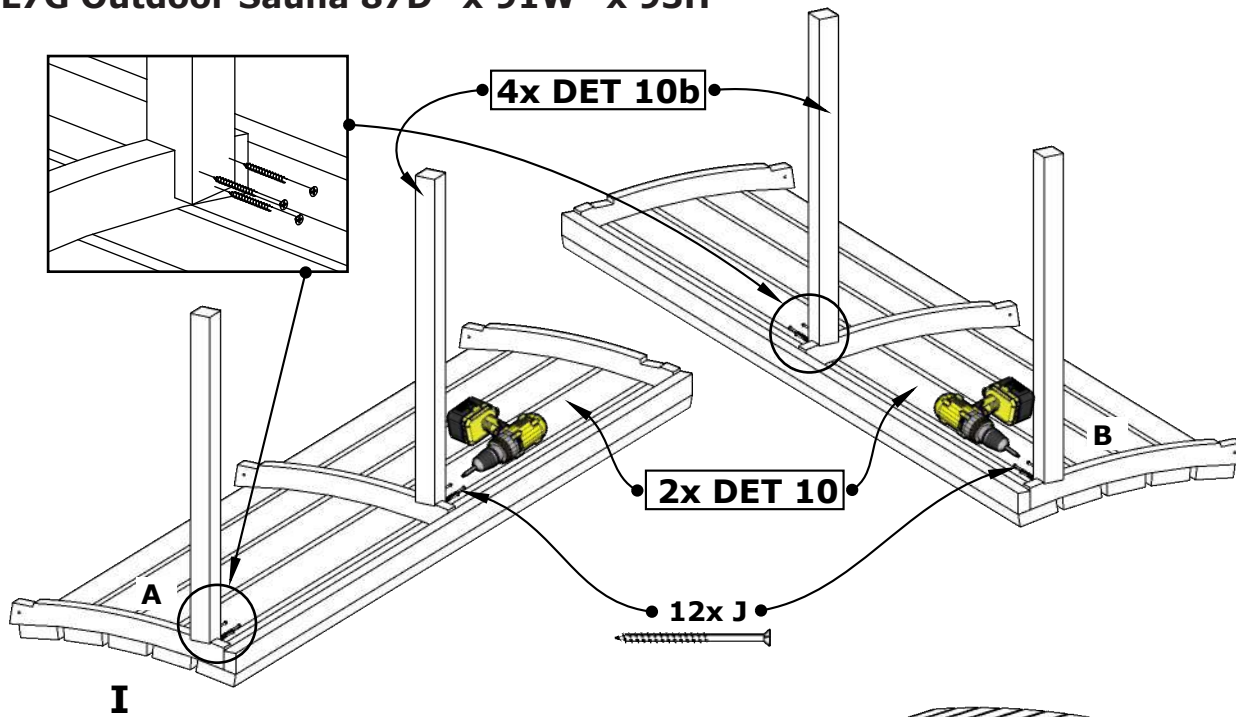
I



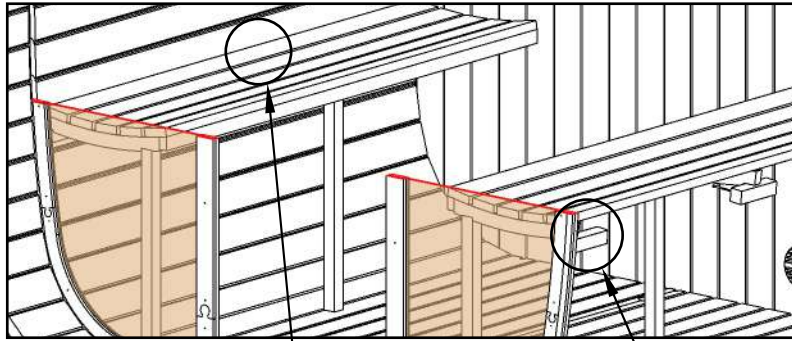
Interior

II

CL7G Outdoor Sauna 87D" x 91W" x 93H"

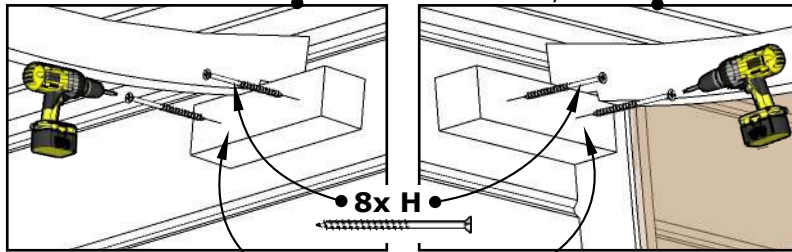


CL7G Outdoor Sauna 87D" x 91W" x 93H"



Under the benches

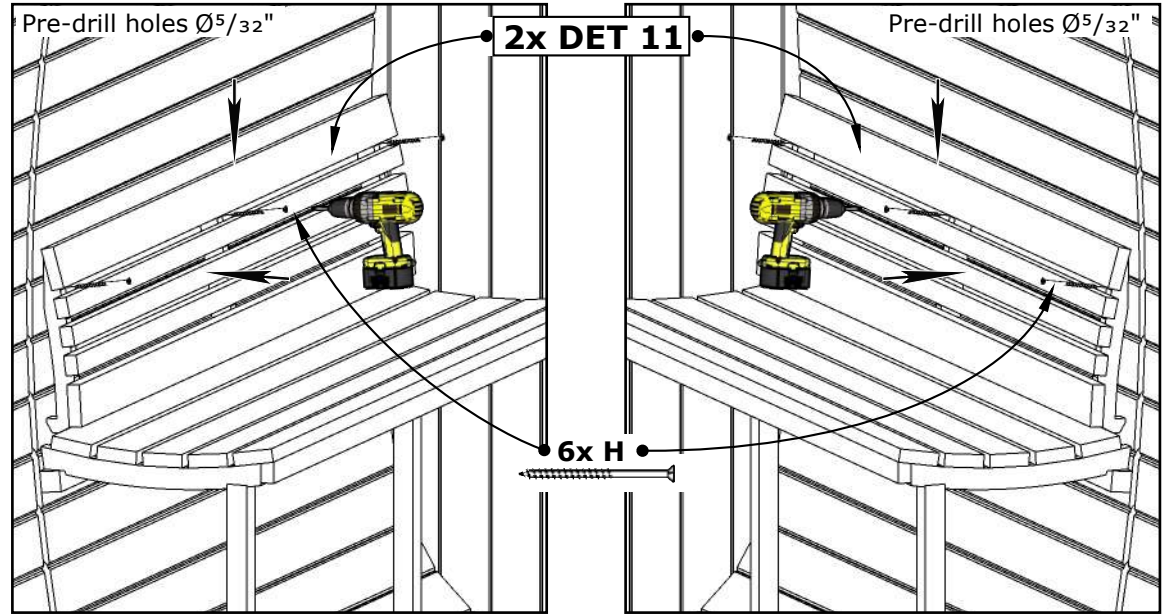
Fasten the opposite sides in the same way!



• 8x H •

• 4x DET 10c •

I



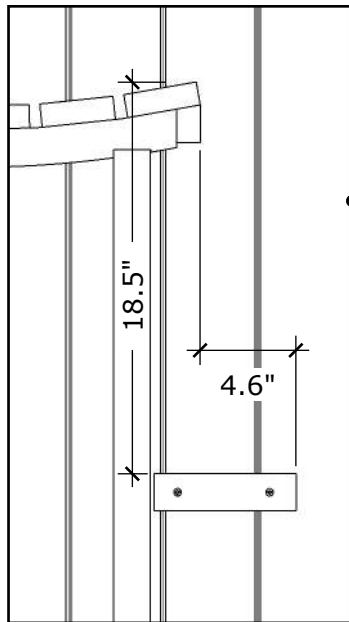
Pre-drill holes $\text{Ø}^{5/32}$ "

• 2x DET 11 •

Pre-drill holes $\text{Ø}^{5/32}$ "

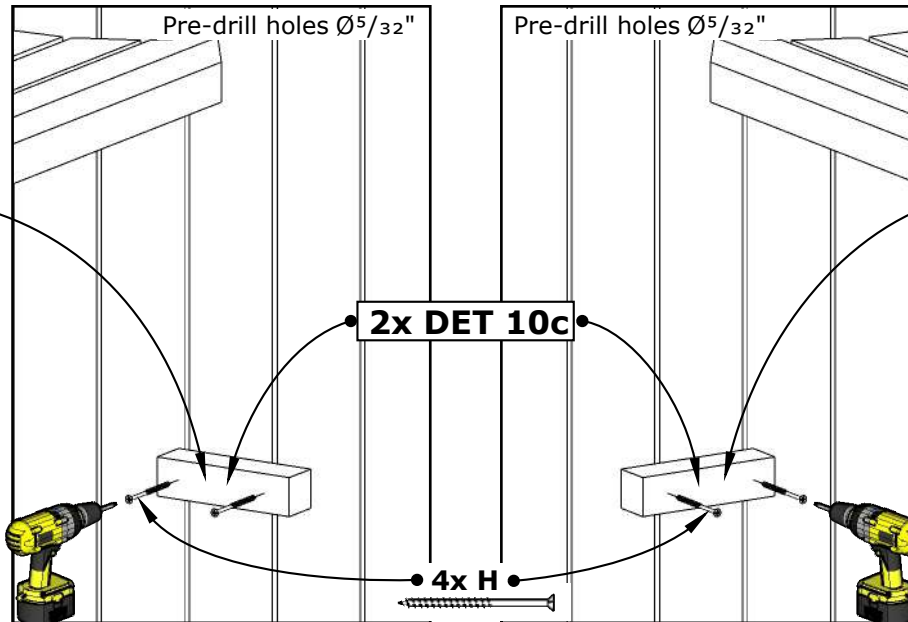
• 6x H •

II



18.5"

4.6"



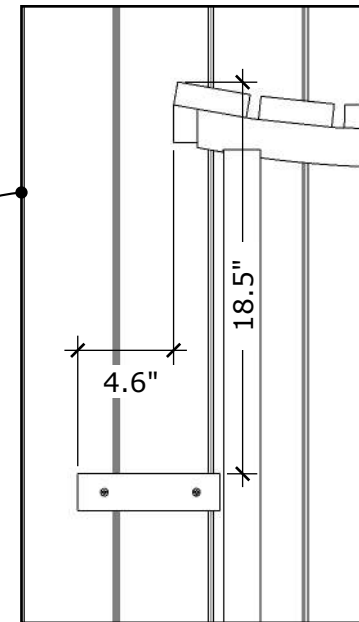
Pre-drill holes $\text{Ø}^{5/32}$ "

Pre-drill holes $\text{Ø}^{5/32}$ "

• 2x DET 10c •

• 4x H •

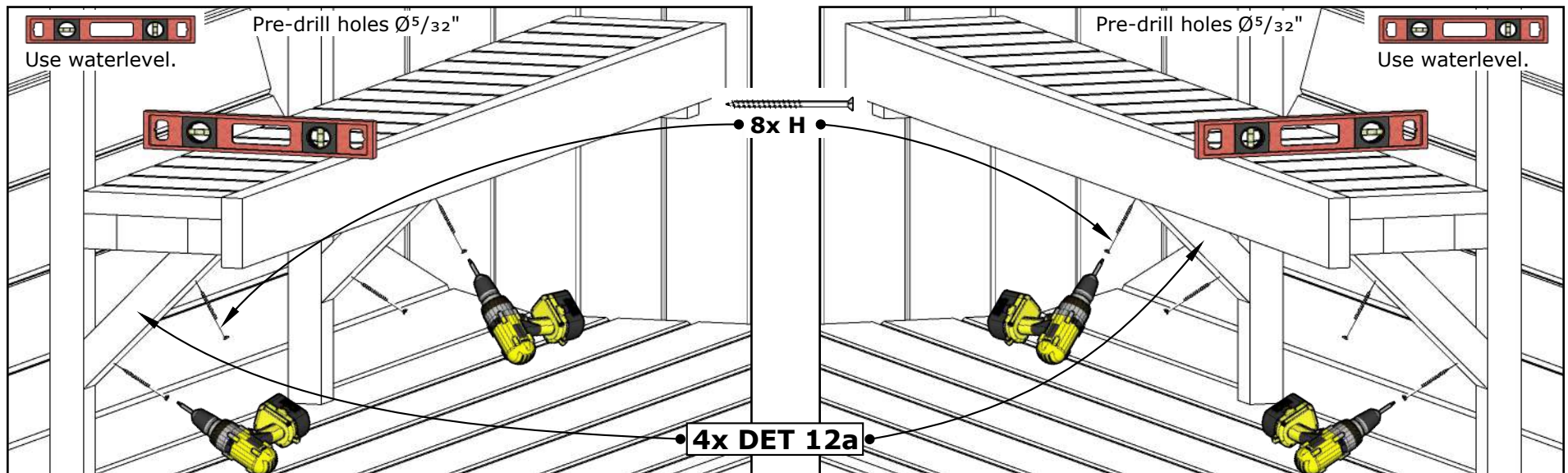
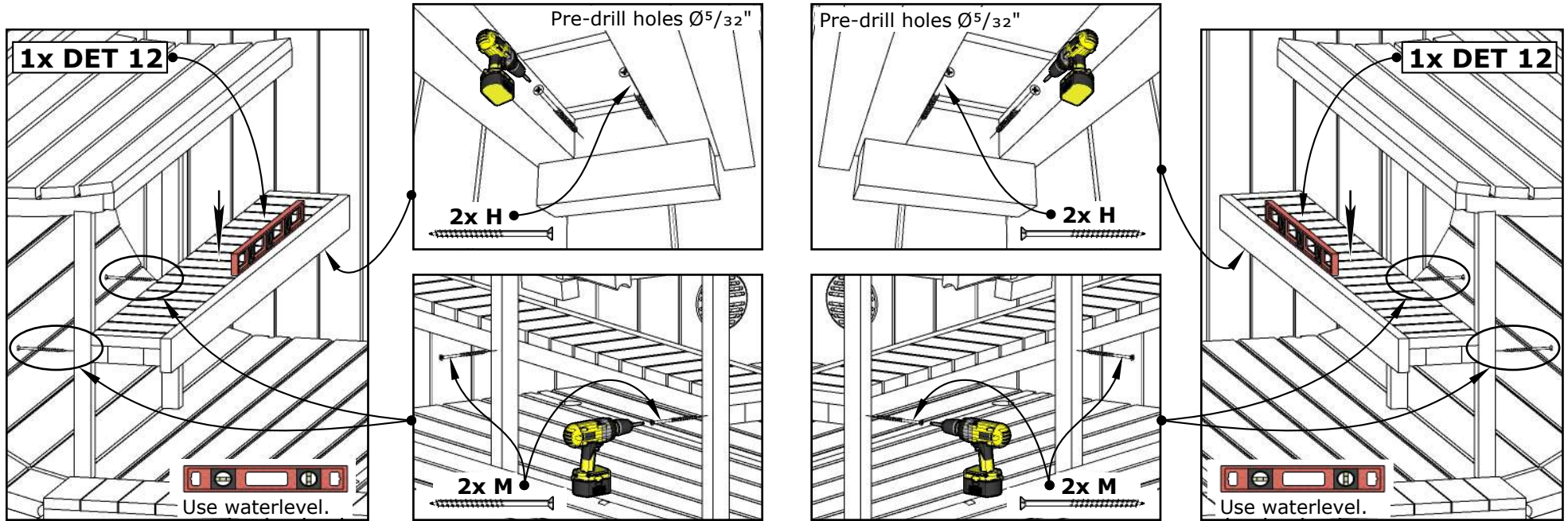
III



18.5"

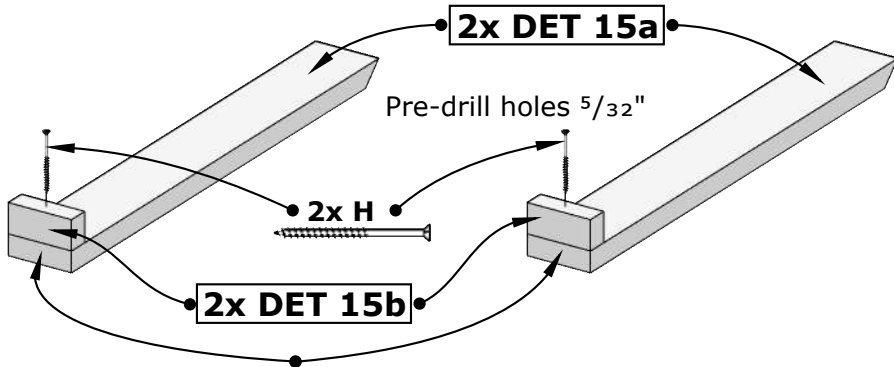
4.6"

CL7G Outdoor Sauna 87D" x 91W" x 93H"



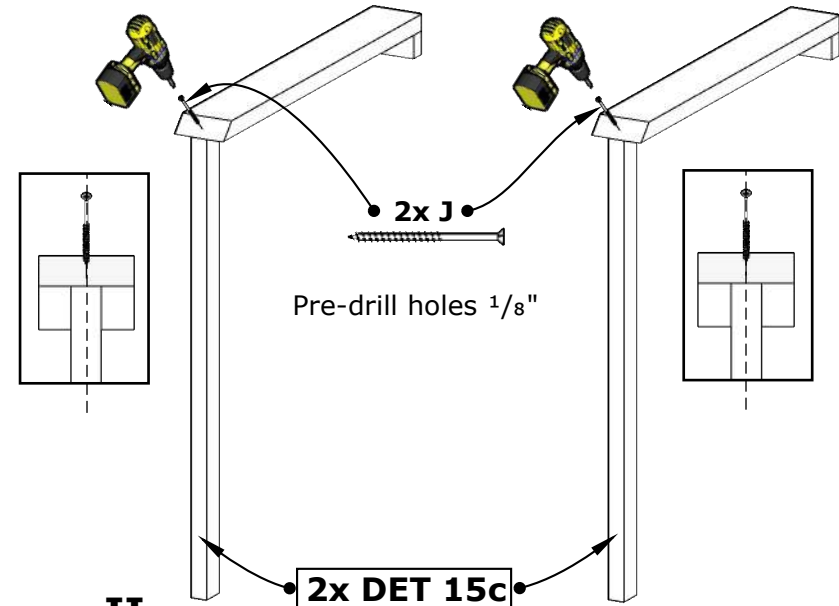
CL7G Outdoor Sauna 87D" x 91W" x 93H"

ATTENTION!
HEATER GUARD MAY NOT MEET THE SAFETY
DISTANCES OF ALL HEATERS AND SHOULD
NOT BE USED IF THE HEATER DOES NOT FIT!

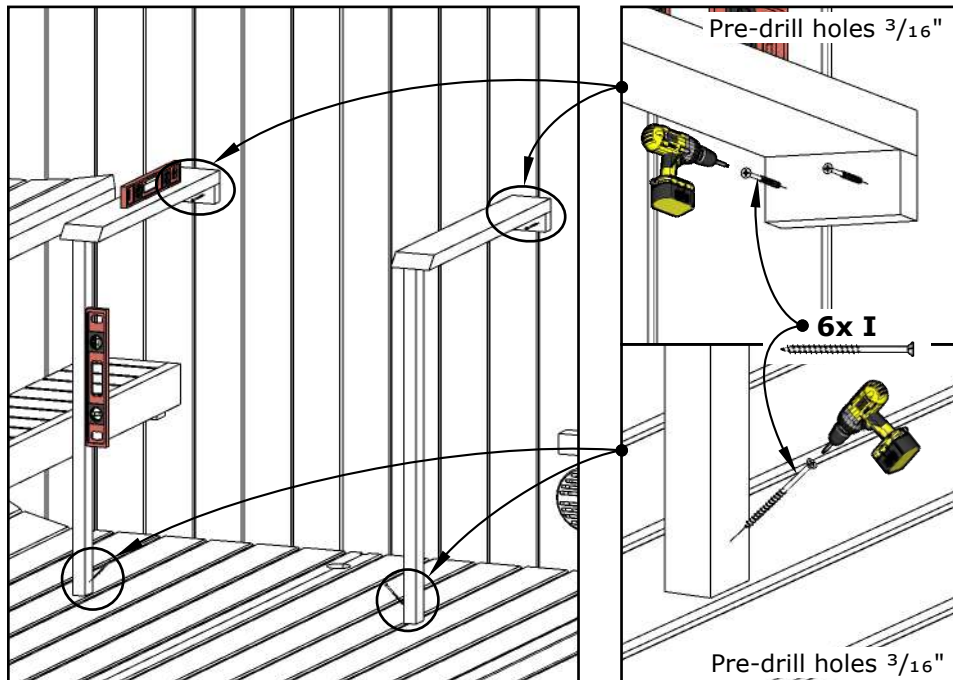


If Your sauna heater is smaller, You can cut DET 15a to length from the non-tapered end to better fit your heater.

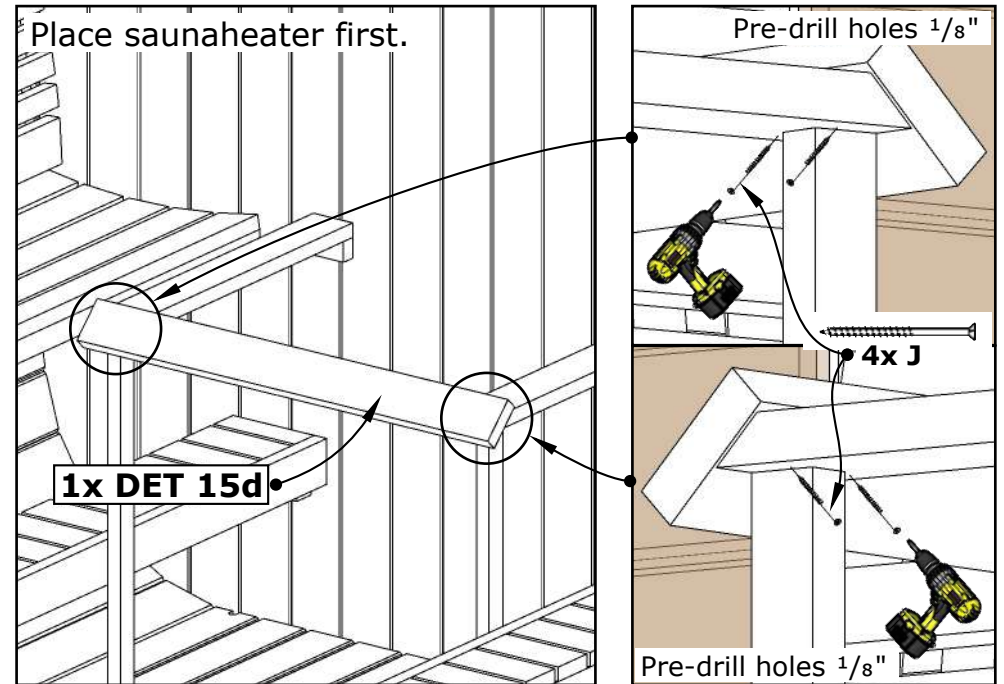
I



II

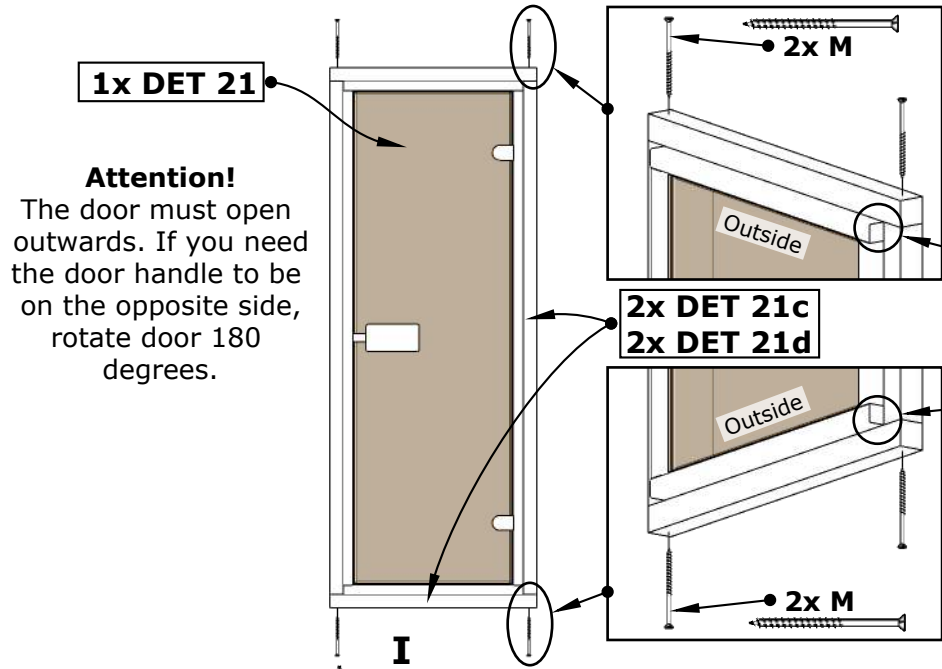


III

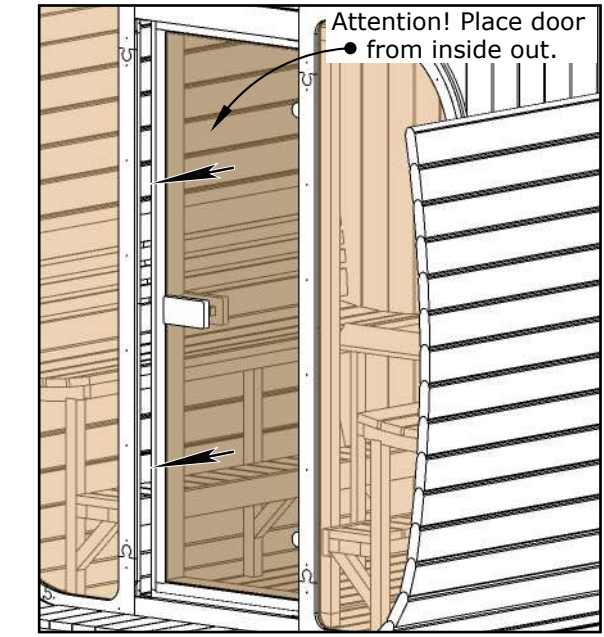
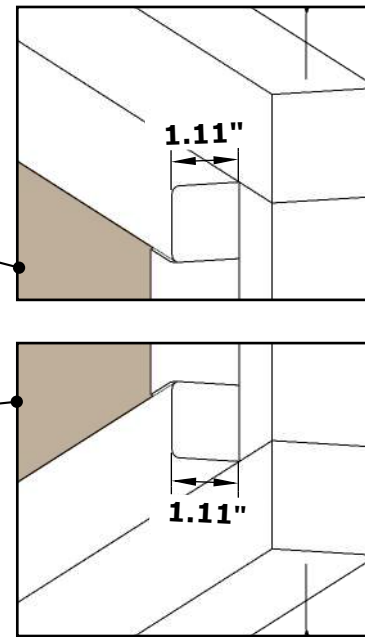


IV

CL7G Outdoor Sauna 87D" x 91W" x 93H"



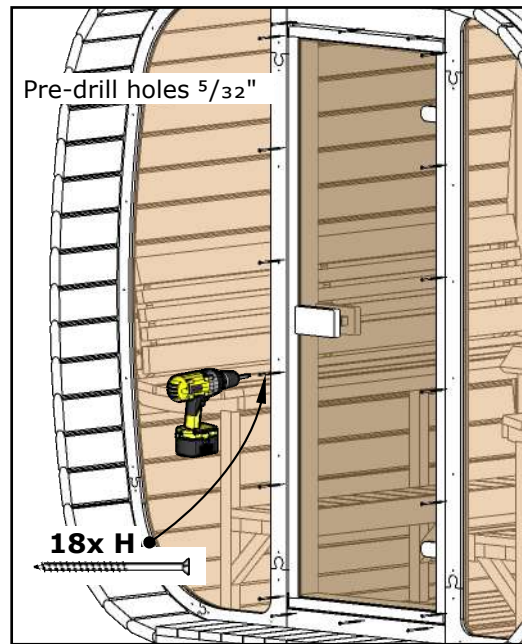
Attention!
The door must open outwards. If you need the door handle to be on the opposite side, rotate door 180 degrees.



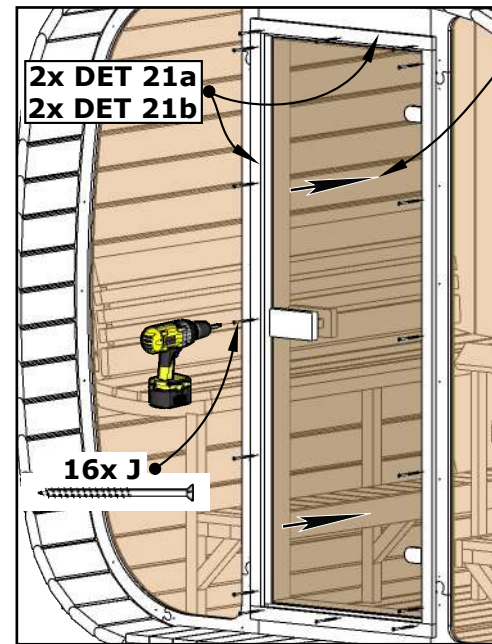
II Ensure door frame is pressed tightly against the wall and fasten from inside.



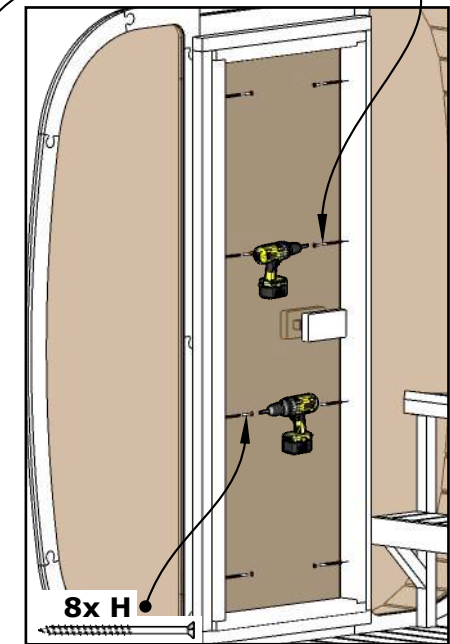
Use waterlevel.



III

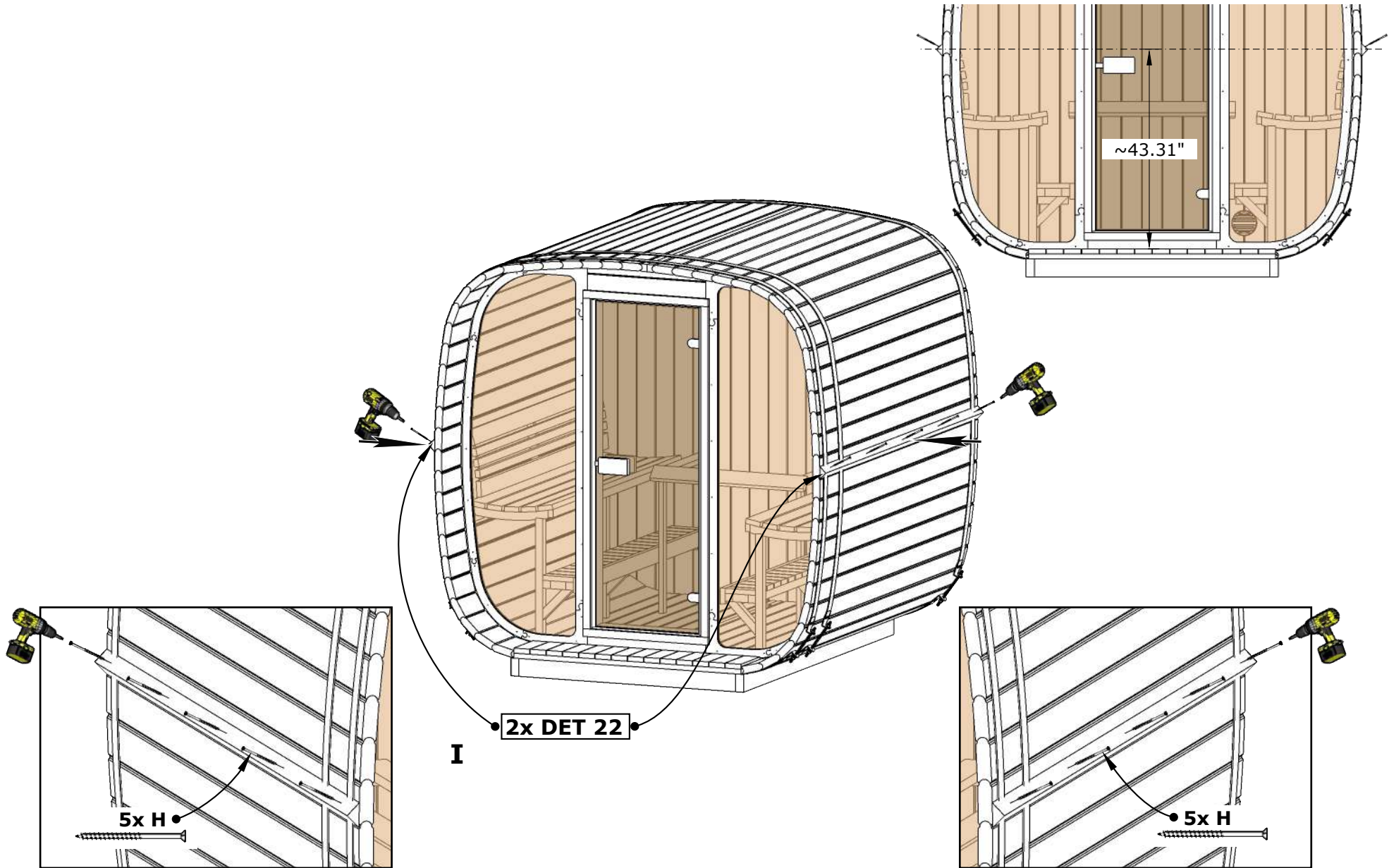


IV



V

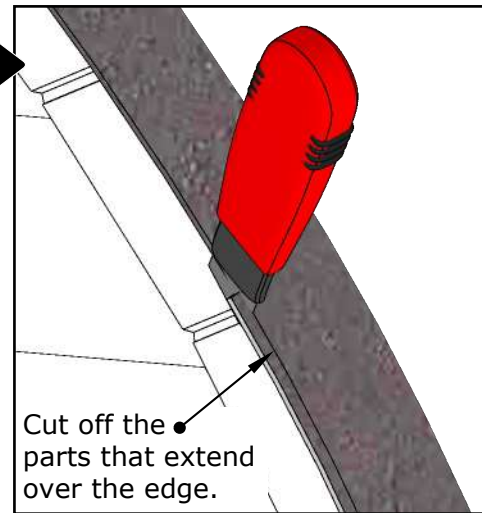
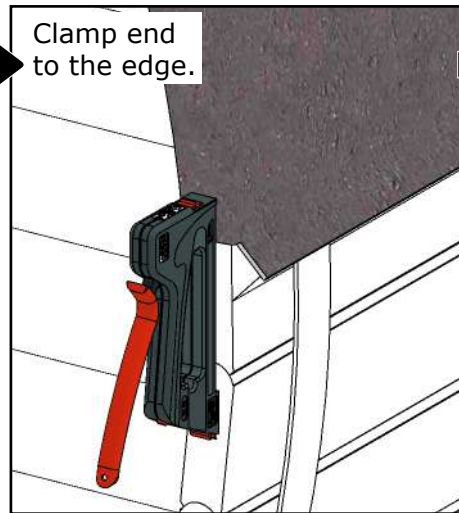
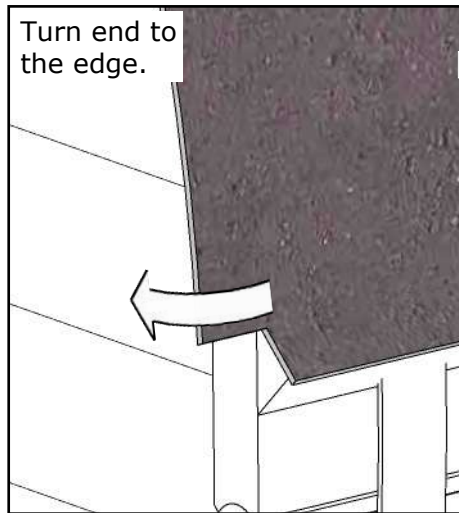
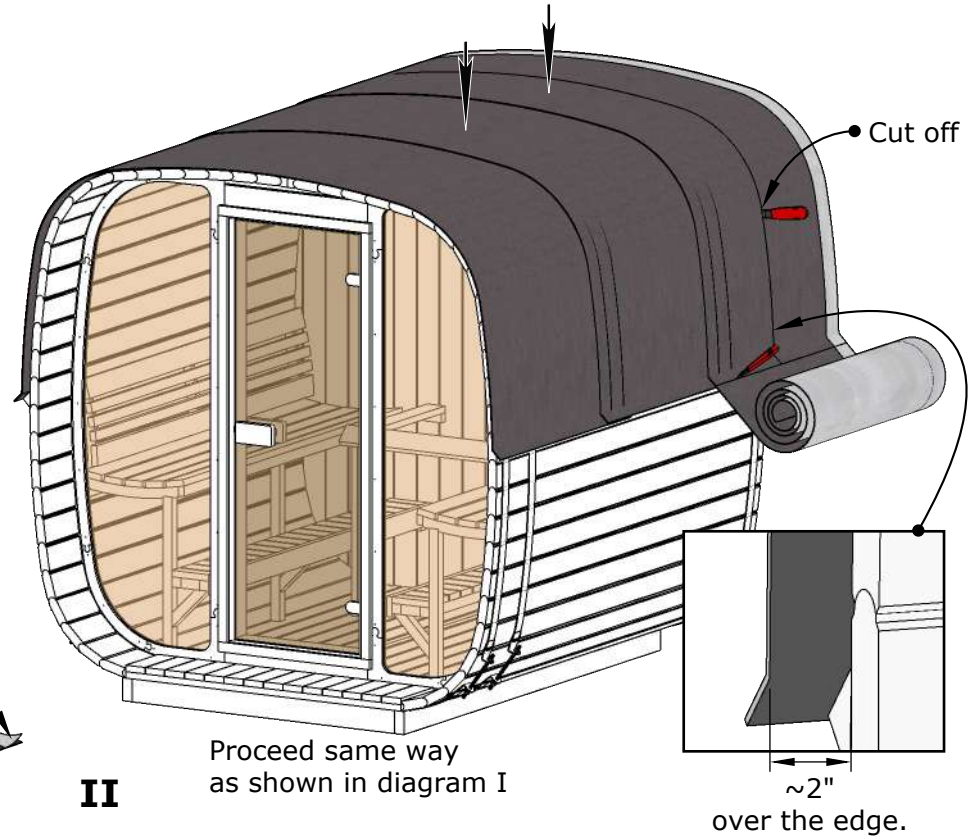
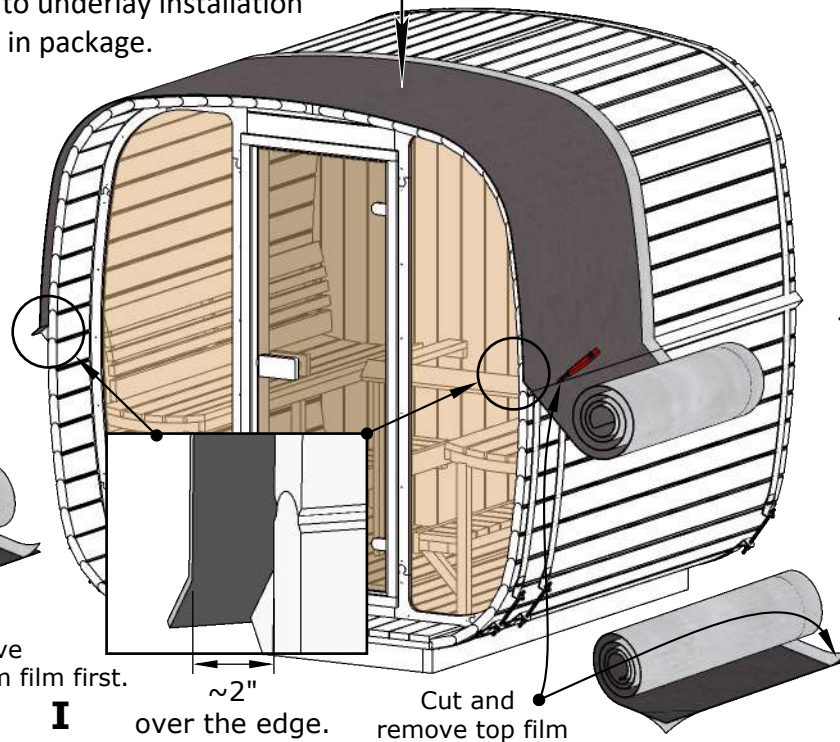
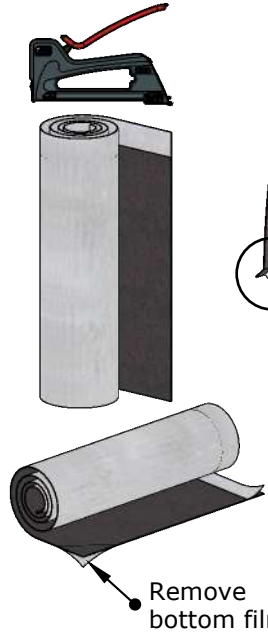
CL7G Outdoor Sauna 87D" x 91W" x 93H"



CL7G Outdoor Sauna 87D" x 91W" x 93H"

Underlay felt installation manual.

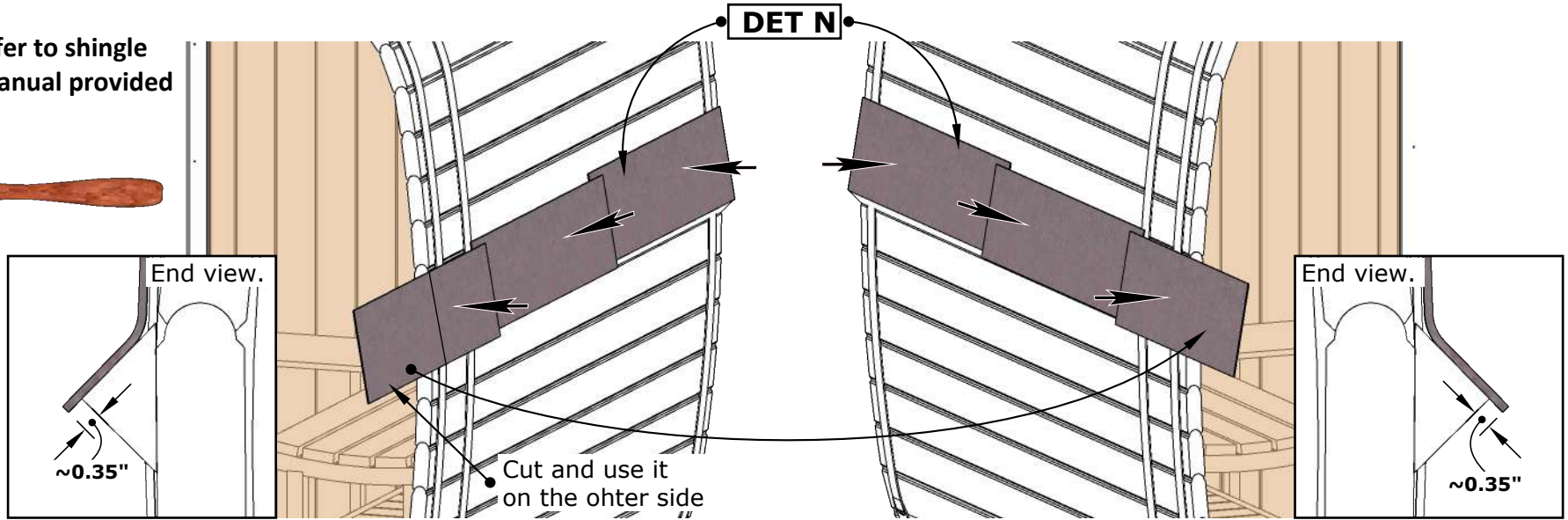
Attention! Refer to underlay installation manual provided in package.



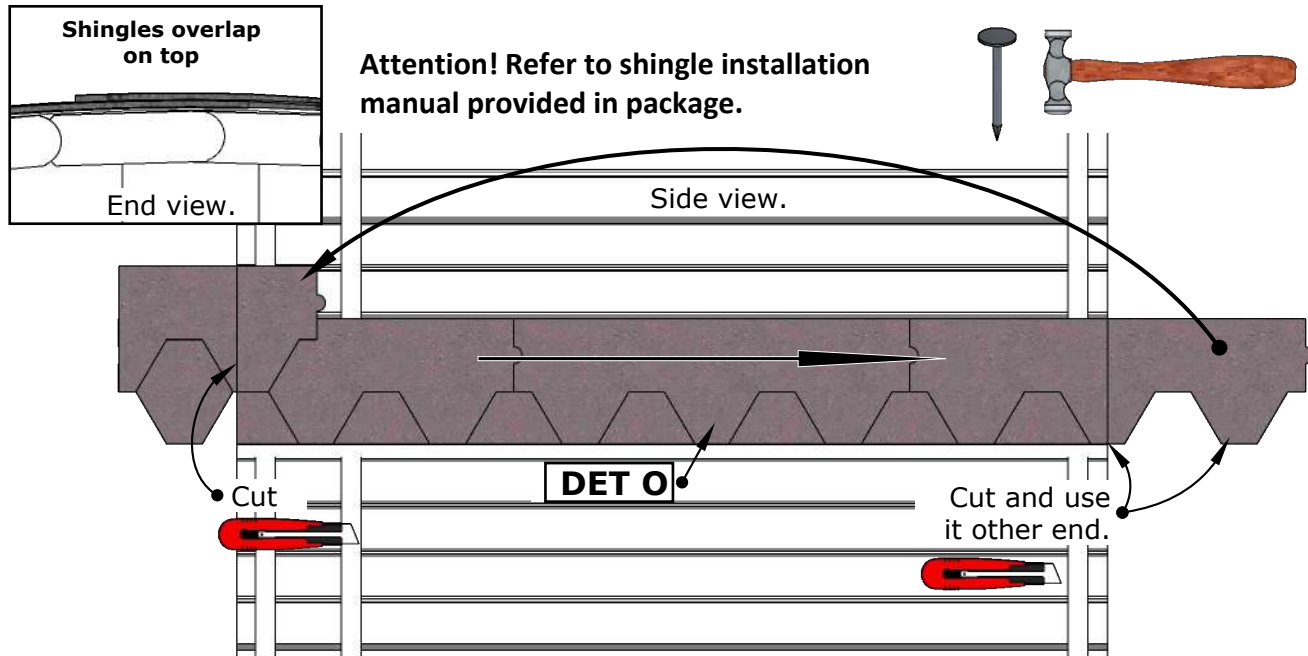
III

CL7G Outdoor Sauna 87D" x 91W" x 93H"

Attention! Refer to shingle installation manual provided in package.

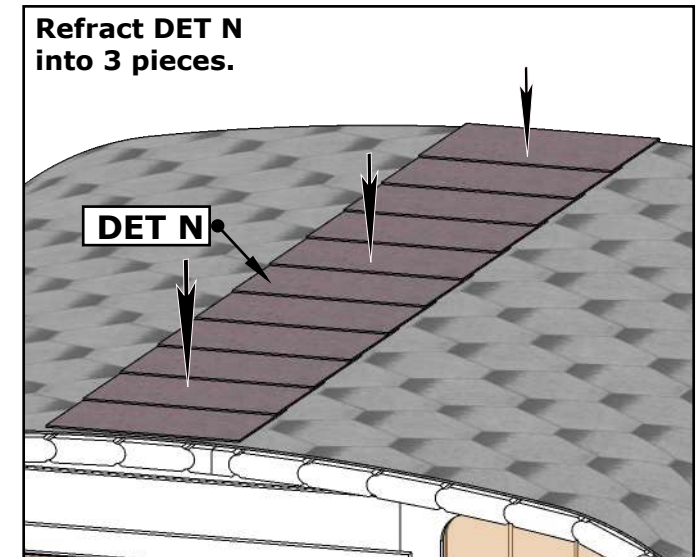


I



II

Attention! Refer to shingle installation manual provided in package.



III

CL7G Outdoor Sauna 87D" x 91W" x 93H"

