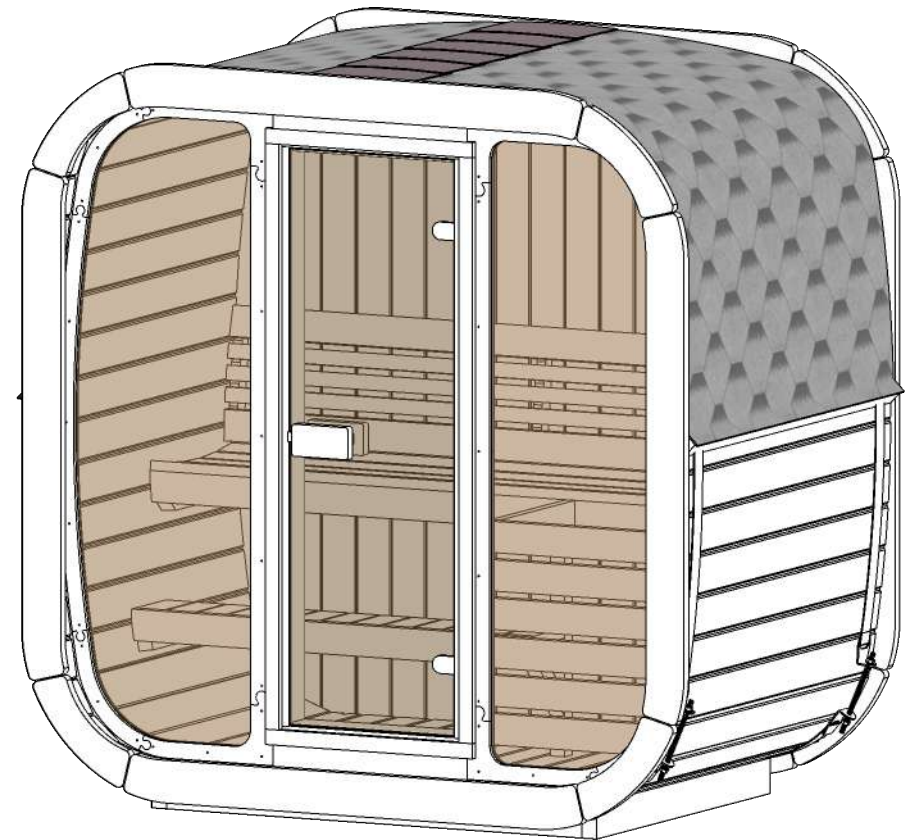
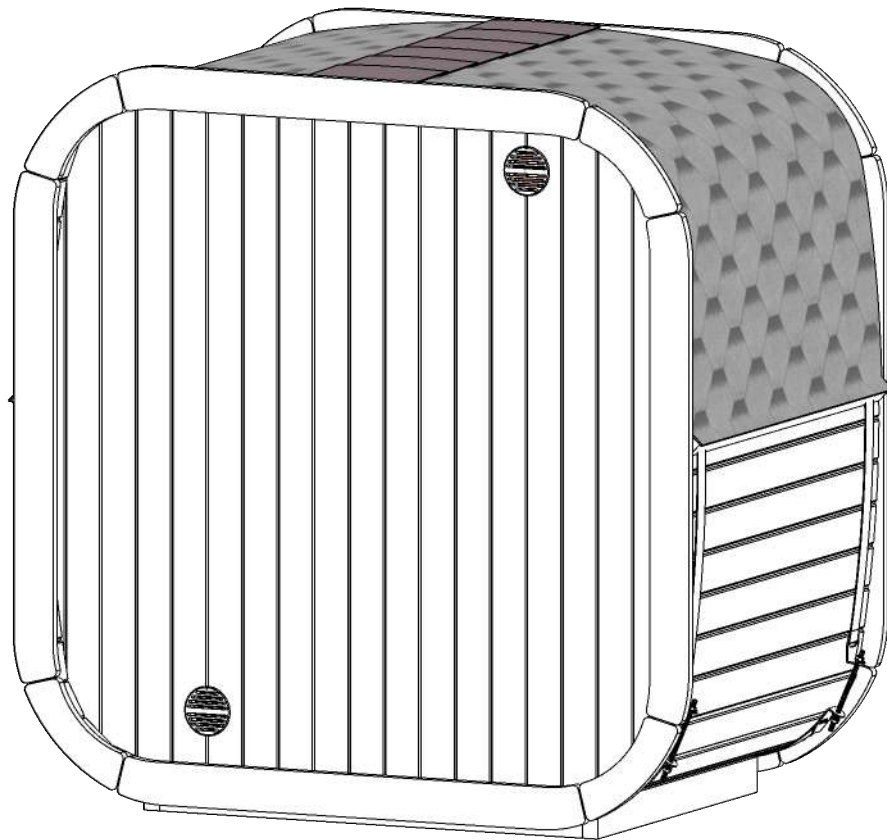
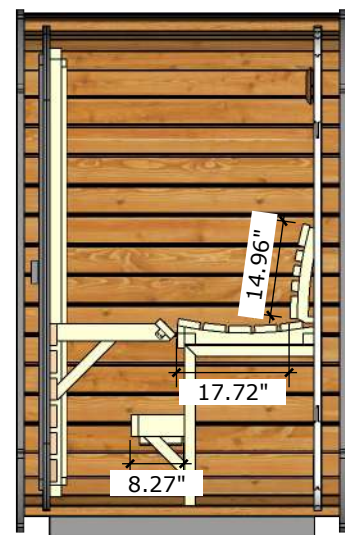
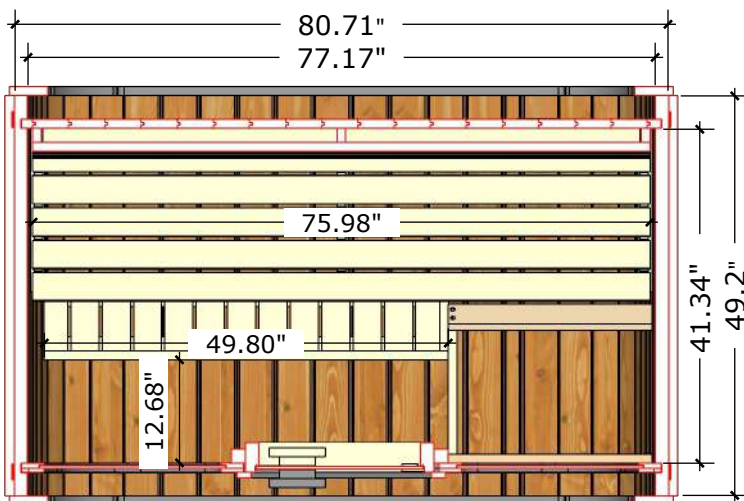
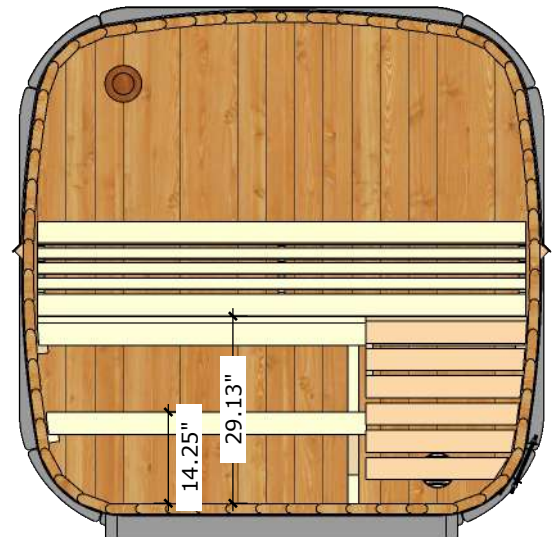




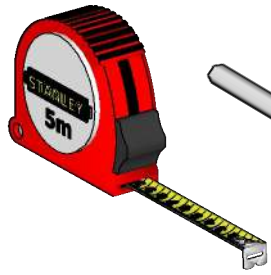
Cube Luxury Series CL4G Outdoor Sauna
50D" x 81W" x 83H"



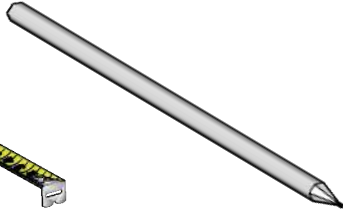
Note: Please read manual before construction



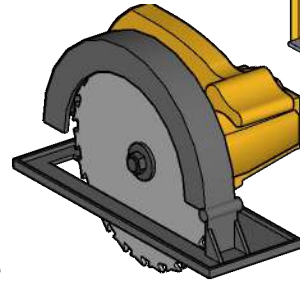
Tools needed



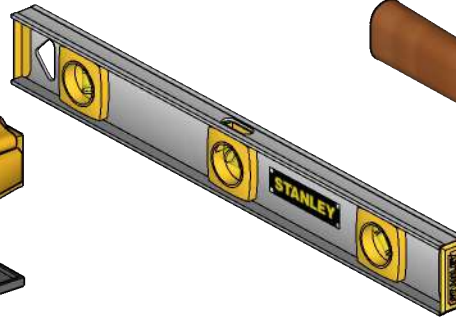
Measuring tape



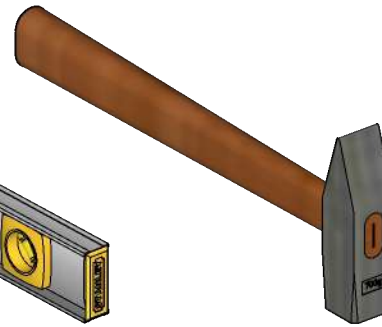
Marker pen



Circular saw



Water level



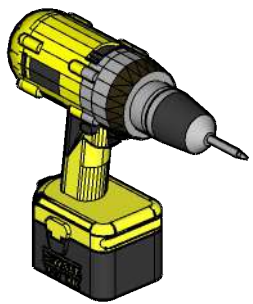
Hammer



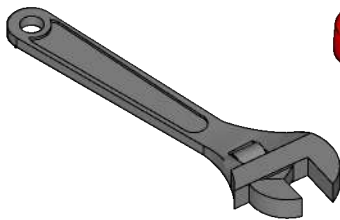
Extra hands



Screwdriver



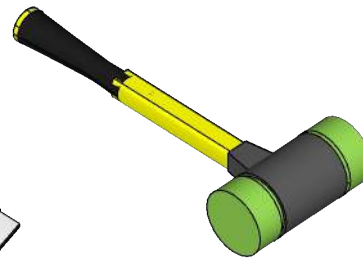
Drill



Crescent wrench



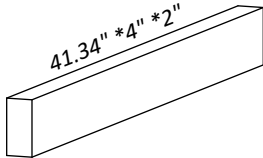

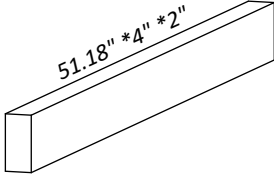

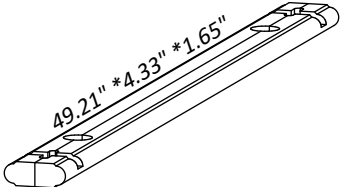

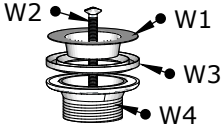
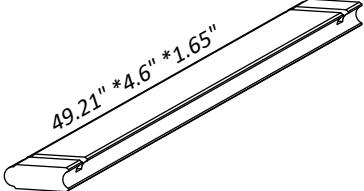

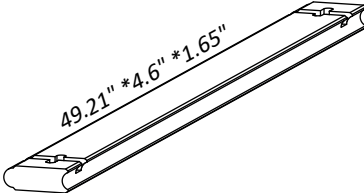

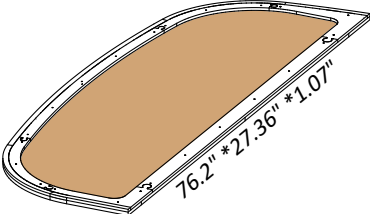
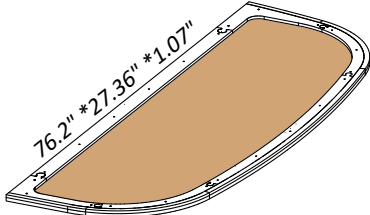
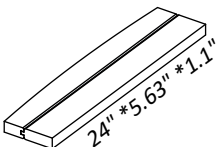

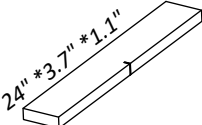
Utility knife

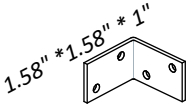
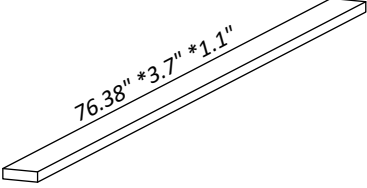
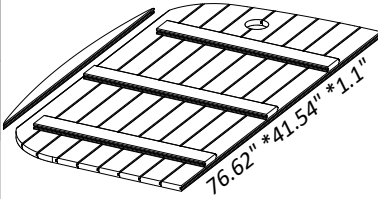
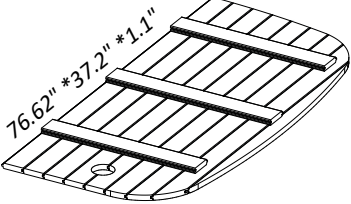
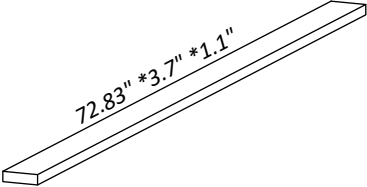
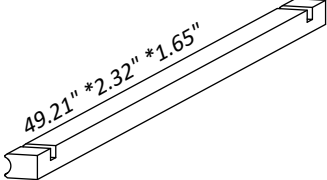
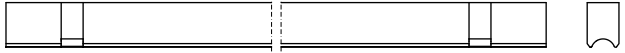
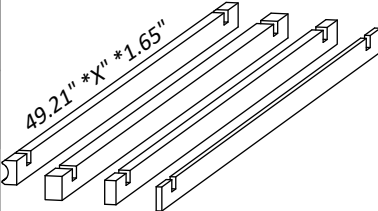

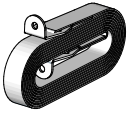
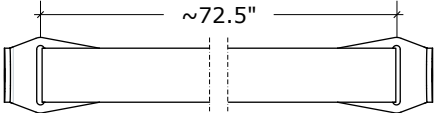
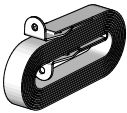
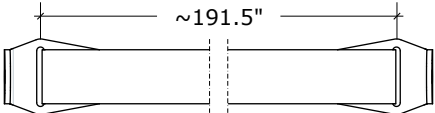




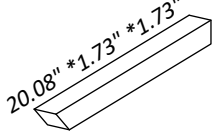
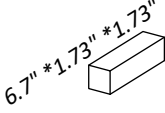
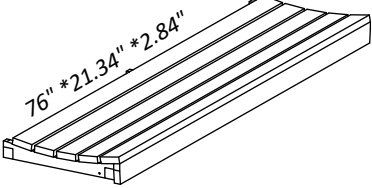
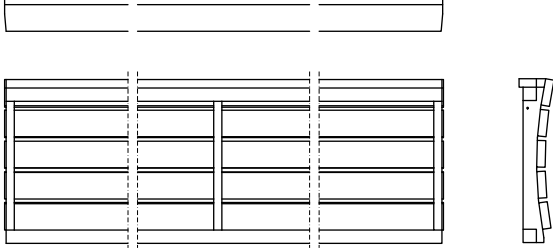
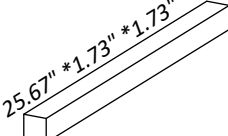
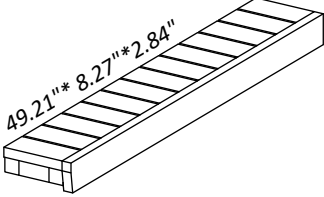
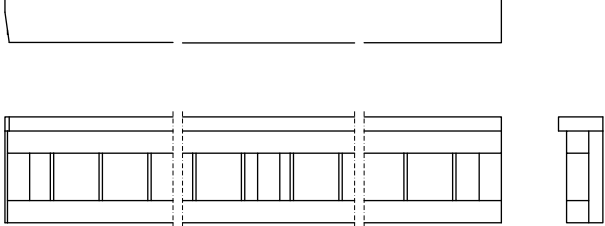
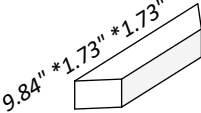

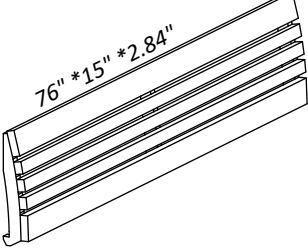
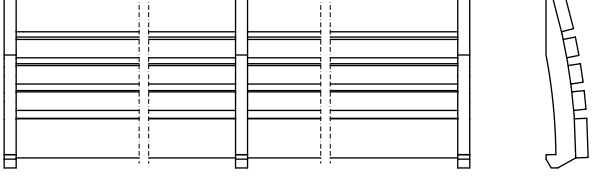
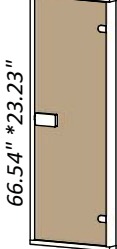
Rubber mallet

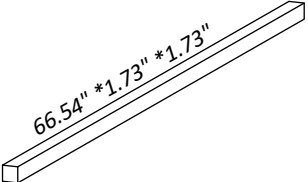
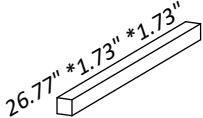
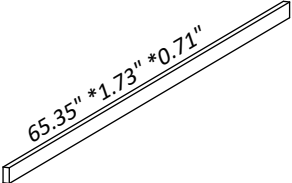
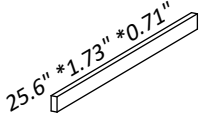
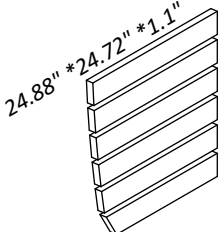
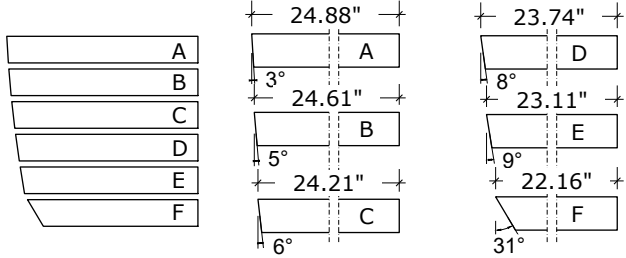
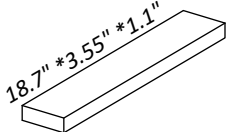
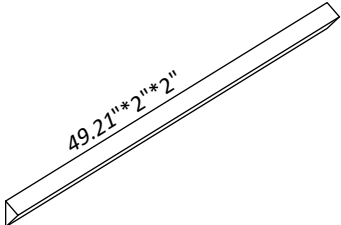
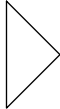
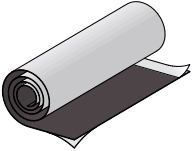
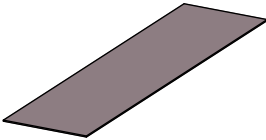
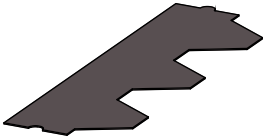


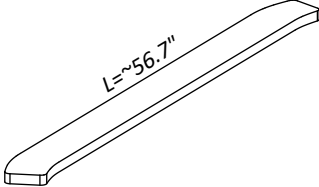
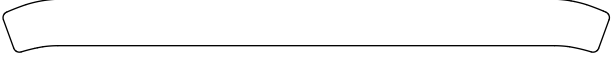
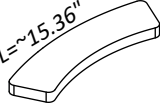

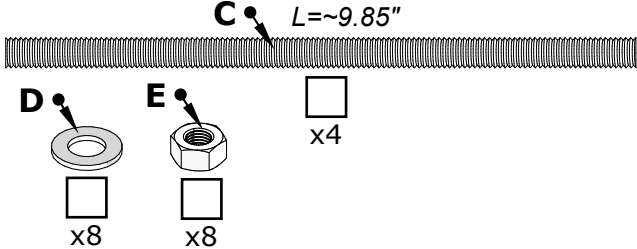
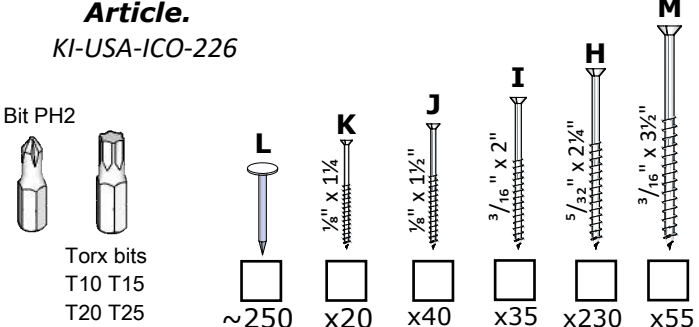
Ratchet strap

<p>DET 1</p> <p>Article. K-SM100/1050</p>	<p>x2</p>	 <p>41.34" * 4" * 2"</p>	
<p>DET 2</p> <p>Article. K-SM100/1300</p>	<p>x3</p>	 <p>51.18" * 4" * 2"</p>	
<p>DET 3</p> <p>Article. T-STL117/1250XLM01</p>	<p>x1</p>	 <p>49.21" * 4.33" * 1.65"</p>	
<p>DET W</p> <p>Article. MU-TRAPP</p>	<p>x2 kmp1</p>	 <p>W2 W1 W3 W4</p>	
<p>DET 3</p> <p>Article. T-STL117/1250-01</p>	<p>x64</p>	 <p>49.21" * 4.6" * 1.65"</p>	
<p>DET 3/H</p> <p>Article. T-STL117/1250-01X</p>	<p>x2</p>	 <p>49.21" * 4.6" * 1.65"</p>	
<p>DET Sb</p> <p>Article. IC-TE-20-PR-12/15V</p>	<p>x1</p>	 <p>76.2" * 27.36" * 1.07"</p>	
<p>DET Sa</p> <p>Article. IC-TE-20-PR-12/15P</p>	<p>x1</p>	 <p>76.2" * 27.36" * 1.07"</p>	
<p>DET Ta</p> <p>Article. T-SL117/610UK1</p>	<p>x1</p>	 <p>24" * 5.63" * 1.1"</p>	
<p>DET Tb</p> <p>Article. T-TL94/610J</p>	<p>x1</p>	 <p>24" * 3.7" * 1.1"</p>	

<p>DET V</p> <p>Article. KI-VIN-25/40/40-ZN</p>	<p>x4</p>		
<p>DET U1</p> <p>Article. K-TL94/1940</p>	<p>x1</p>		
<p>DET Y1</p> <p>Article. T-IC-PTS-20/28-V</p>	<p>x1</p>		
<p>DET Y2</p> <p>Article. T-IC-PTS-20/28-P</p>	<p>x1</p>		
<p>DET U2</p> <p>Article. K-TL94/1850</p>	<p>x1</p>		
<p>DET 6</p> <p>Article. T-STL117/1250XL-01</p>	<p>x2</p>		
<p>DET 6c/d/e/f</p> <p>Article. T-STL117/1250KO-01</p>	<p>x1</p>		
<p>DET A1</p> <p>Article. MU-VIT1840-KLZN</p>	<p>x2</p>		
<p>DET A2</p> <p>Article. MU-VIT4860-KLZN</p>	<p>x2</p>		
<p>DET G</p> <p>Article. MU-VENT-100-PU</p>	<p>x1</p>		

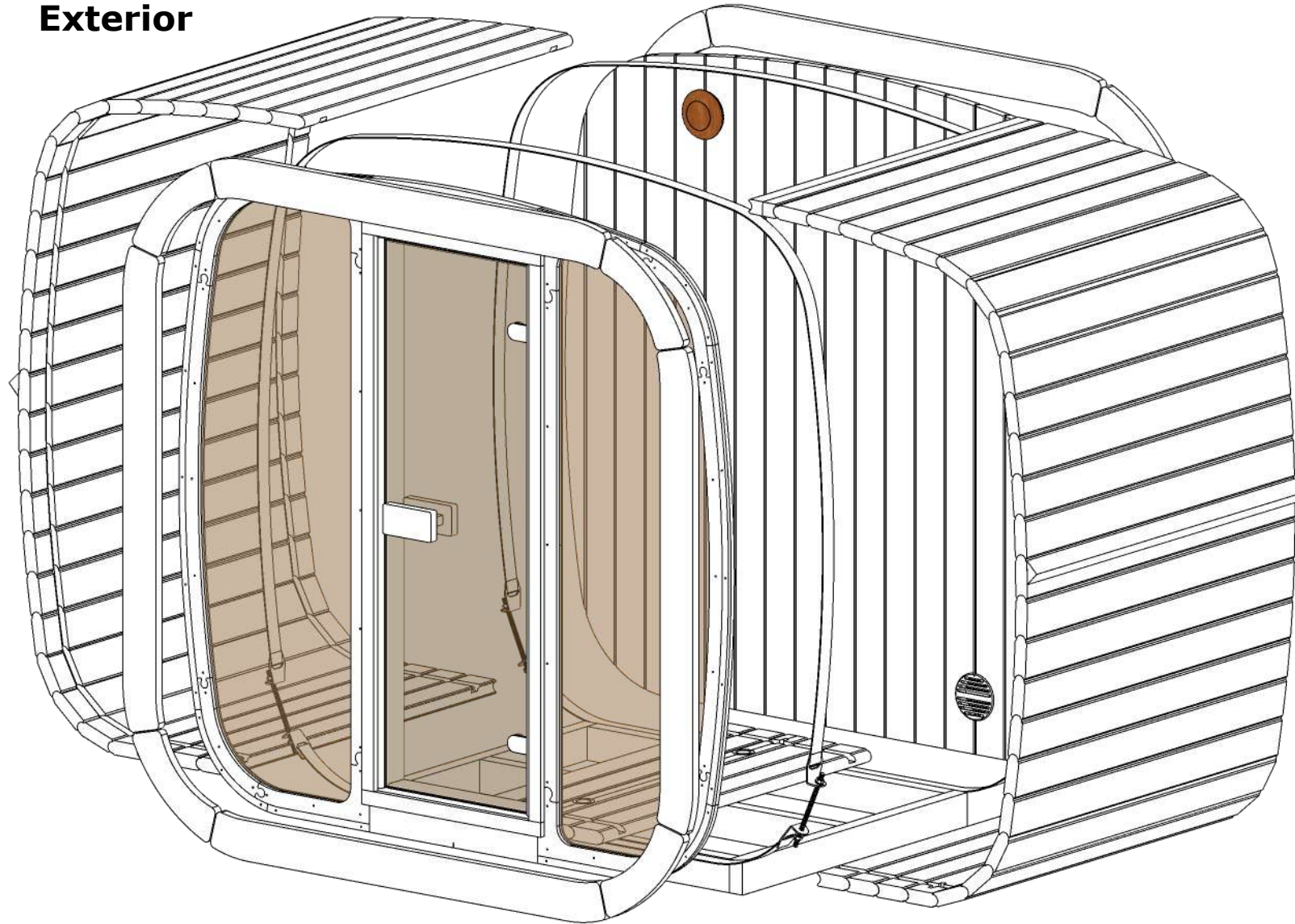
<p>DET F</p> <p>Article. MU-VENT-100-ZN</p>	<p>x3</p>		
<p>DET 10a</p> <p>Article. K-HP44/510XP</p>	<p>x2</p>		
<p>DET 10c</p> <p>Article. K-HP44/170</p>	<p>x1</p>		
<p>DET 10</p> <p>Article. TL-LAMOD-1930-KA01</p>	<p>x1</p>		
<p>DET 10b</p> <p>Article. K-HP44/652</p>	<p>x1</p>		
<p>DET 12</p> <p>Article. TL-LAMOD-1250-01</p>	<p>x1</p>		
<p>DET 12a</p> <p>Article. K-HP44/250XP-XP</p>	<p>x1</p>		
<p>DET 14</p> <p>Article. TL-STMOD-1930-KA01</p>	<p>x1</p>		
<p>DET 21</p> <p>Article. U-KL-6/17-PR</p>	<p>x1</p>		

<p>DET 21c</p> <p>Article. K-HP44/1690</p>	<p>x2</p>		
<p>DET 21d</p> <p>Article. K-HP44/680</p>	<p>x2</p>		
<p>DET 21a</p> <p>Article. K-HL44/1660</p>	<p>x2</p>		
<p>DET 21b</p> <p>Article. K-HL44/650</p>	<p>x2</p>		
<p>DET 16</p> <p>Article. TL-PIMOD-632-01</p>	<p>x1</p>		
<p>DET 15</p> <p>Article. TL-LAV90/475</p>	<p>x1</p>		
<p>DET 22</p> <p>Article. T-STL-1250-XX</p>	<p>x2</p>		
<p>Underlay felt</p> <p>Article. KAT-AL</p>	<p>26'</p>		
<p>DET N</p> <p>Article. KAT-HAR-MUST</p>	<p>x5</p>		
<p>DET O</p> <p>Article. KAT-SIN-MUST</p>	<p>x42</p>		

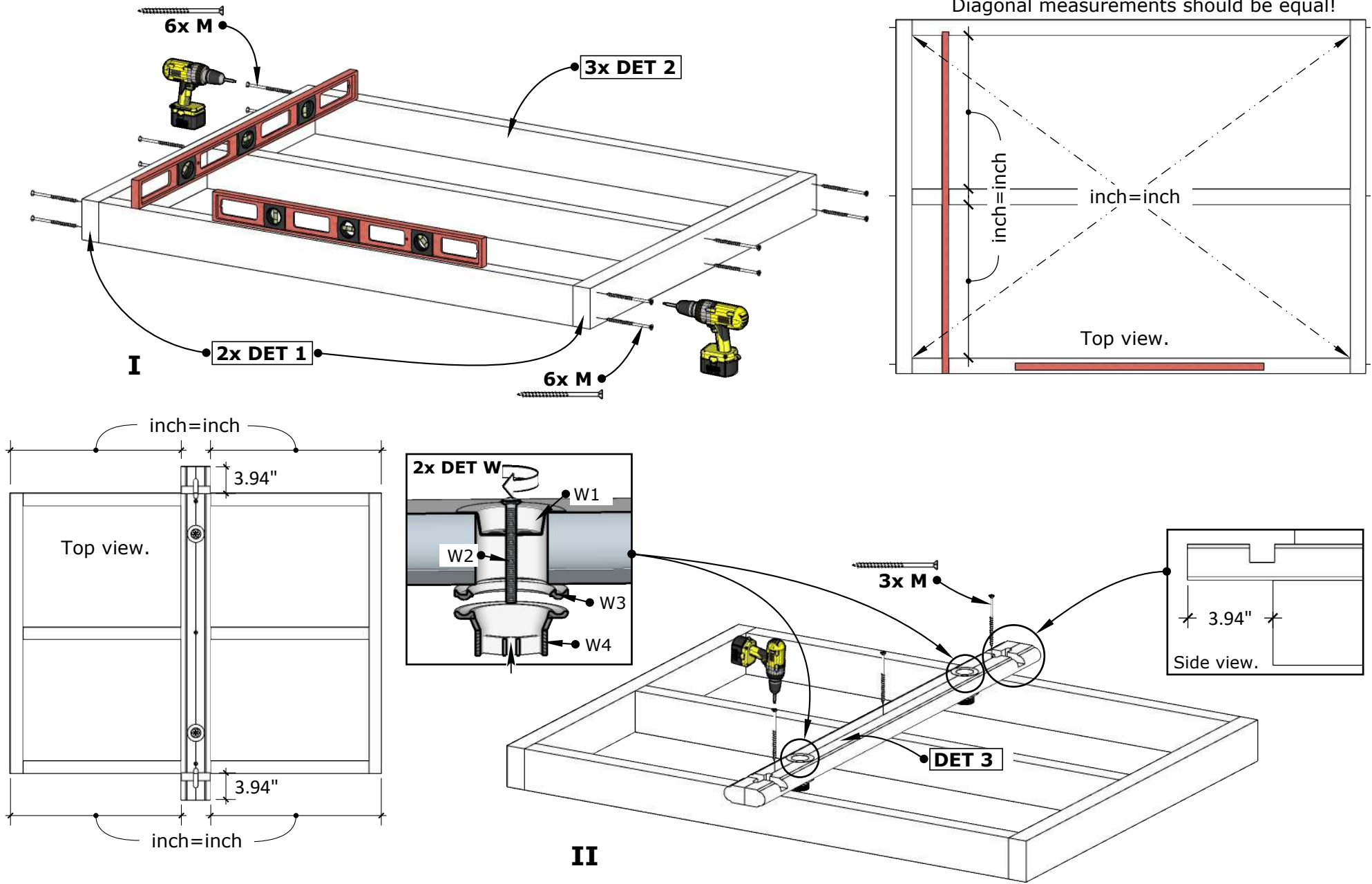
<p>DET 25a</p> <p>Article. MU-OL-IC-20-1</p>	<p>x8</p>	 <p>L≈56.7"</p>	
<p>DET 25b</p> <p>Article. MU-OL-IC-20-2</p>	<p>x8</p>	 <p>L≈15.36"</p>	
<p>Article. KI-KERL-12-RV4</p>  <p>D x8</p> <p>E x8</p> <p>C L≈9.85"</p> <p>x4</p>		<p>Article. KI-USA-ICO-226</p>  <p>Bit PH2</p> <p>Torx bits T10 T15 T20 T25</p> <p>L ~250</p> <p>K 1/8" x 1 1/2" x20</p> <p>J 1/8" x 1 1/2" x40</p> <p>I 3/16" x 2" x35</p> <p>H 5/32" x 2 1/4" x230</p> <p>M 3/16" x 3 1/2" x55</p>	

CL4G Outdoor Sauna 50D" x 81W" x 83H"

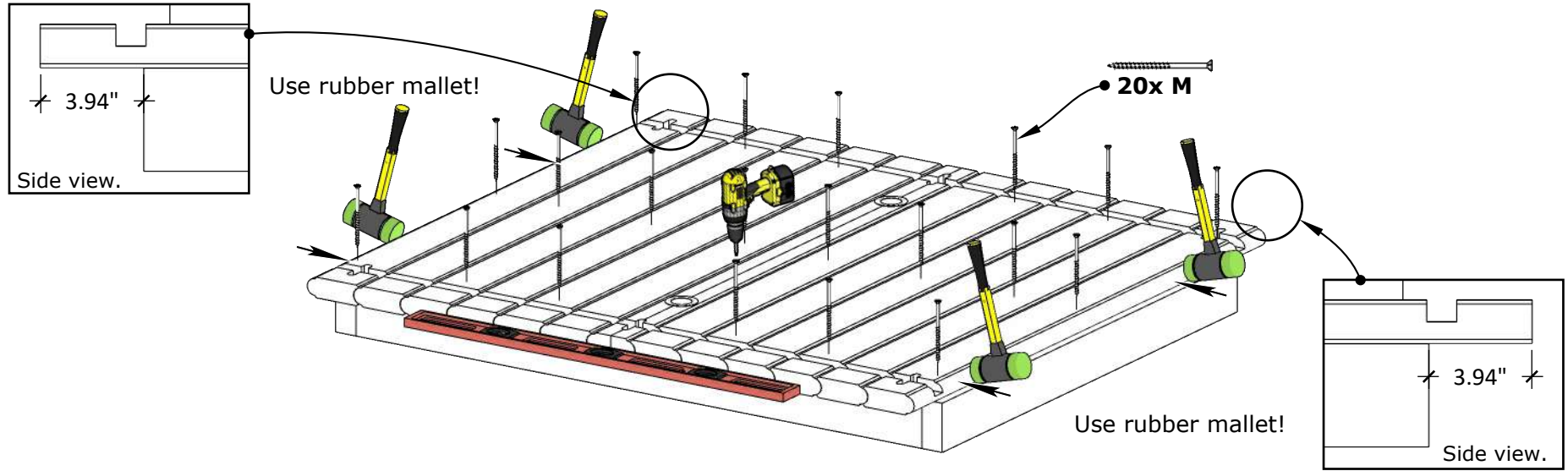
Exterior



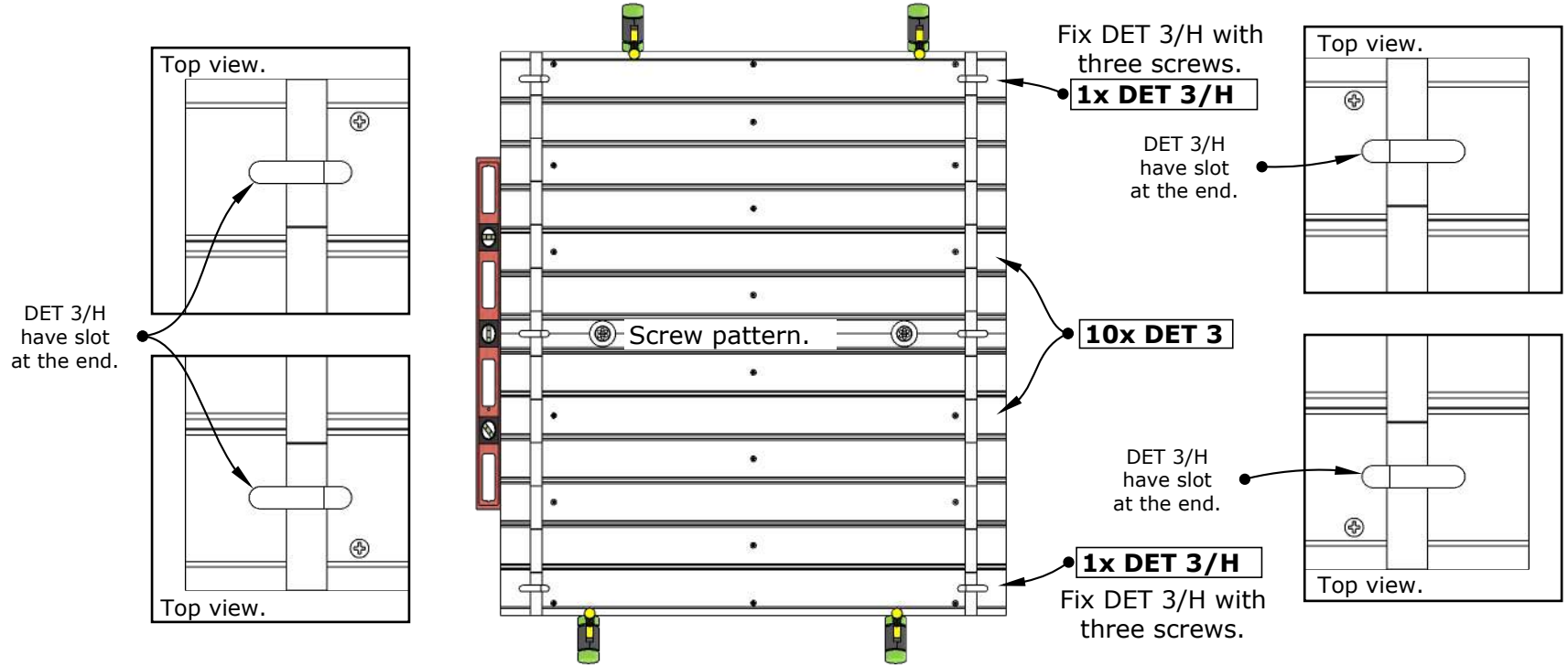
CL4G Outdoor Sauna 50D" x 81W" x 83H"



CL4G Outdoor Sauna 50D" x 81W" x 83H"

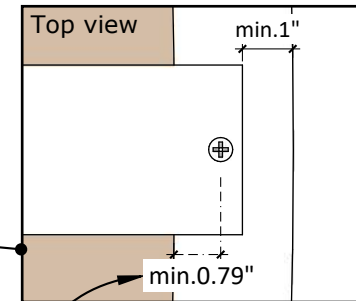
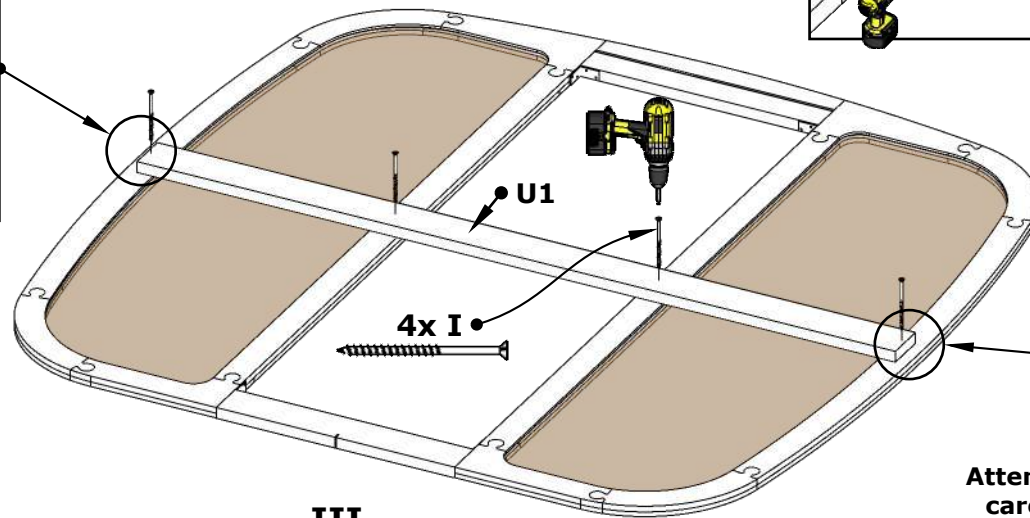
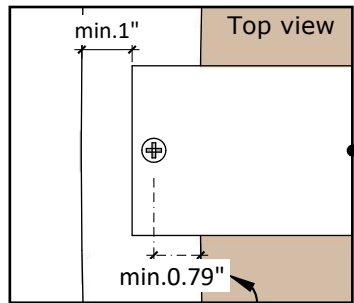
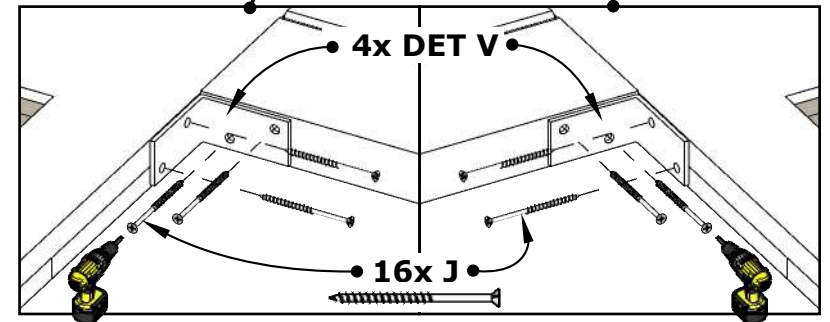
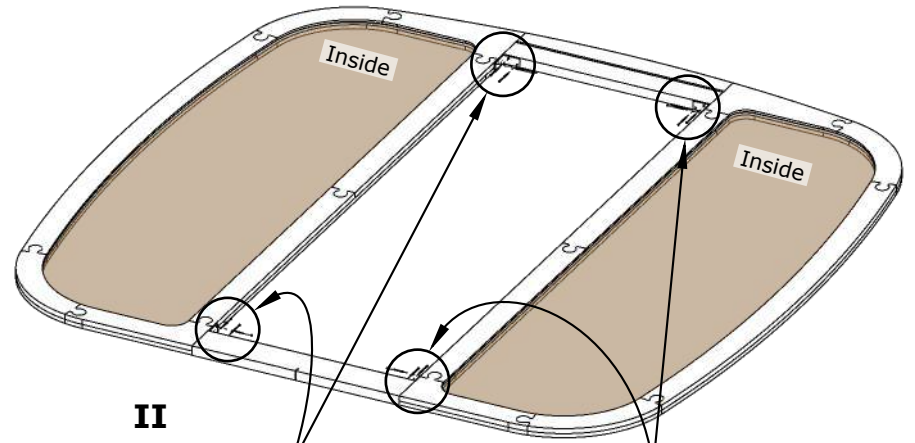
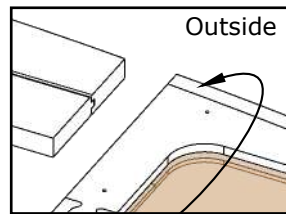
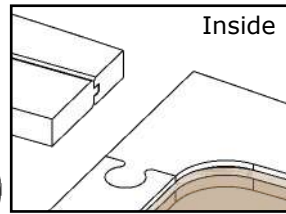
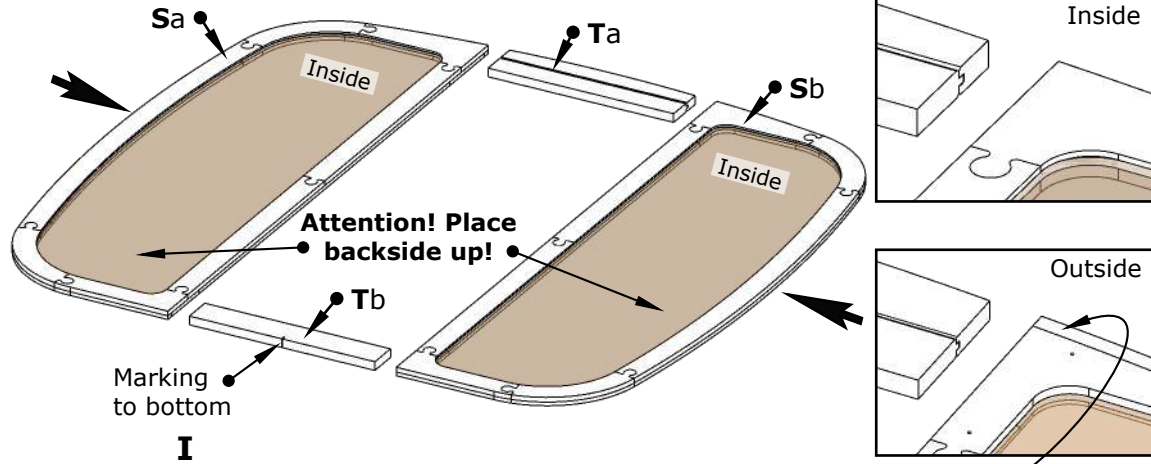


Fix screws over the one board, diagonally in every board.



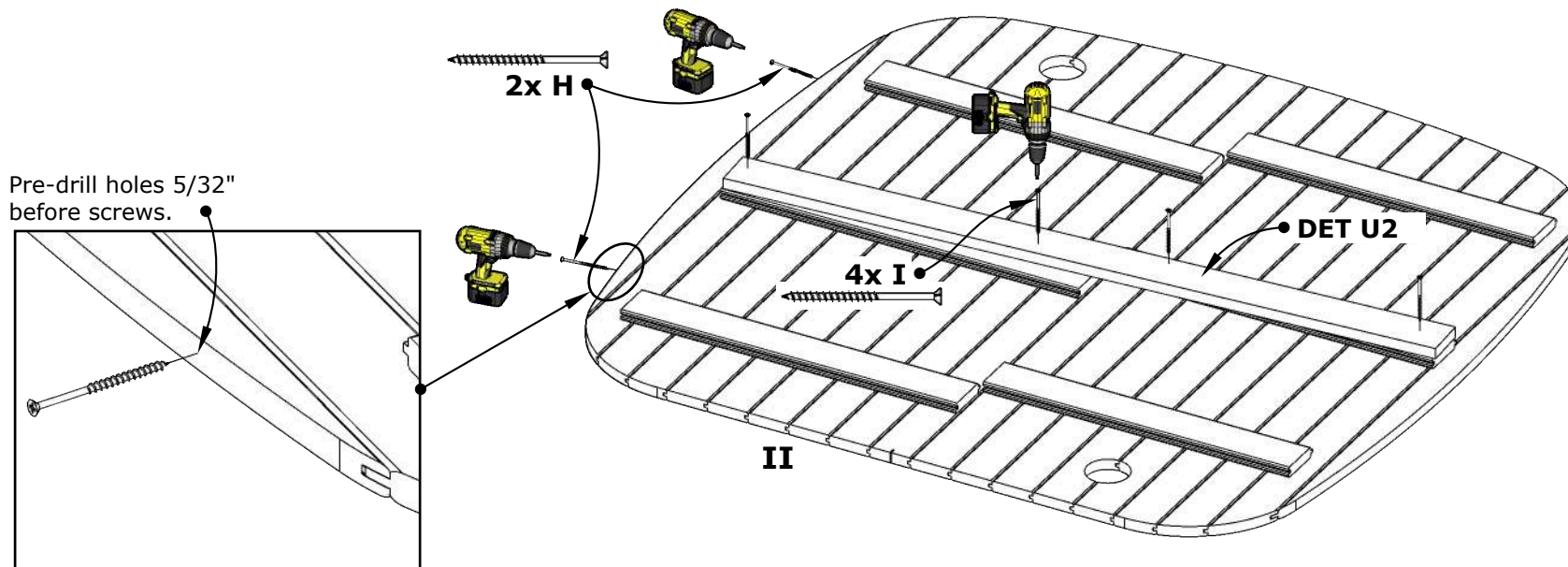
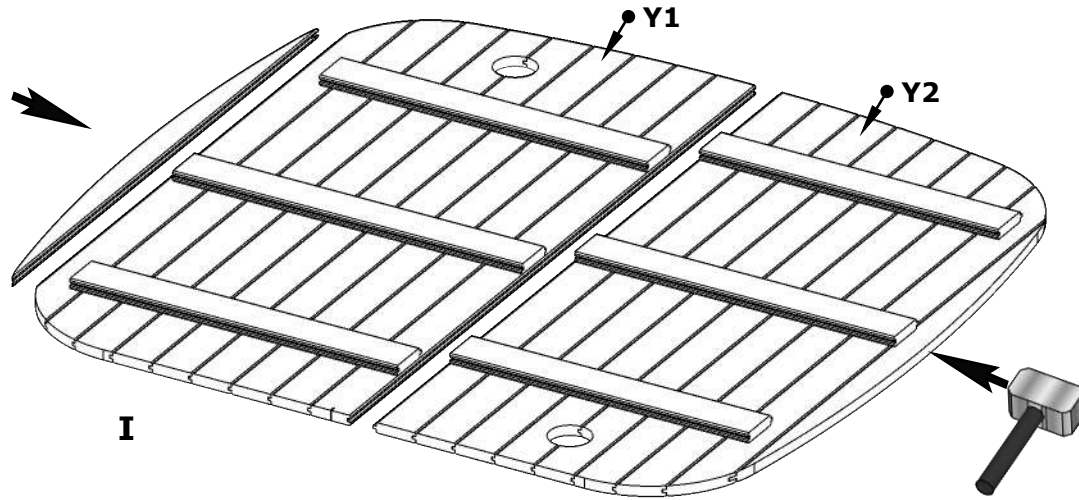
CL4G Outdoor Sauna 50D" x 81W" x 83H"

Front glass-wall assembly

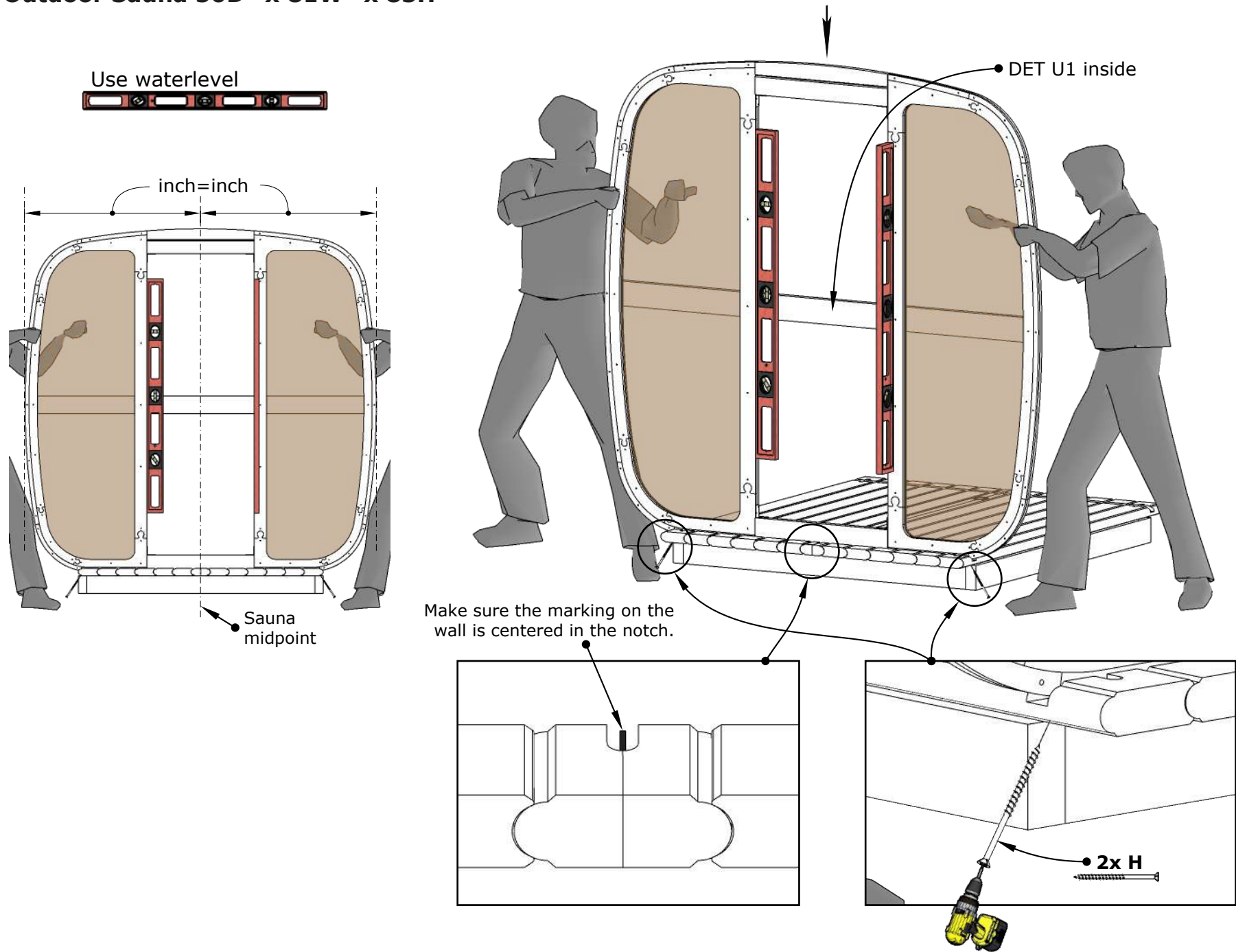


CL4G Outdoor Sauna 50D" x 81W" x 83H"

Wooden back wall assembly

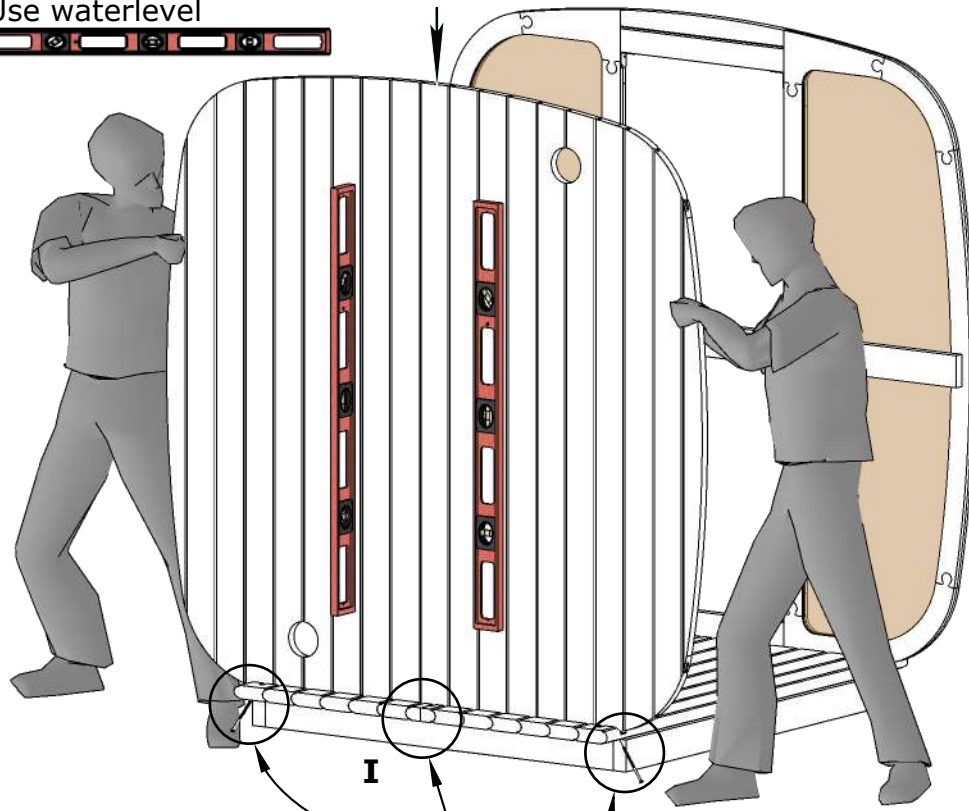


CL4G Outdoor Sauna 50D" x 81W" x 83H"

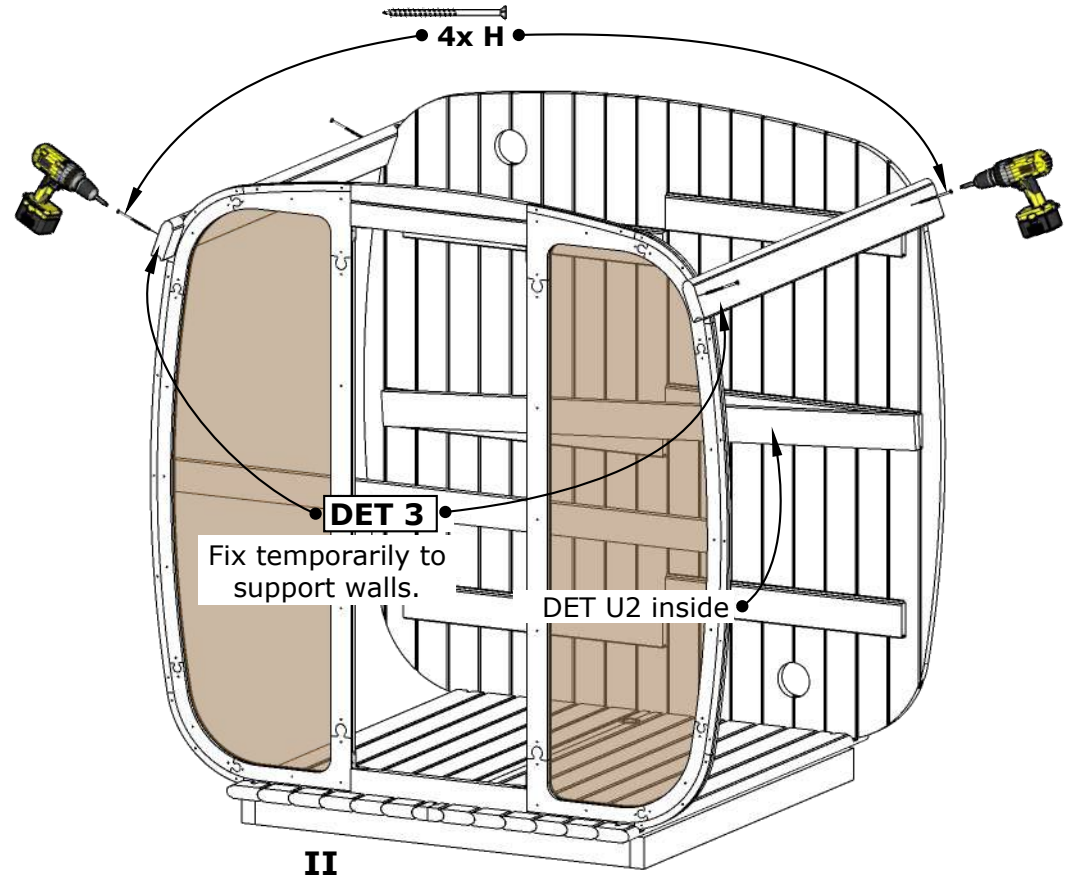
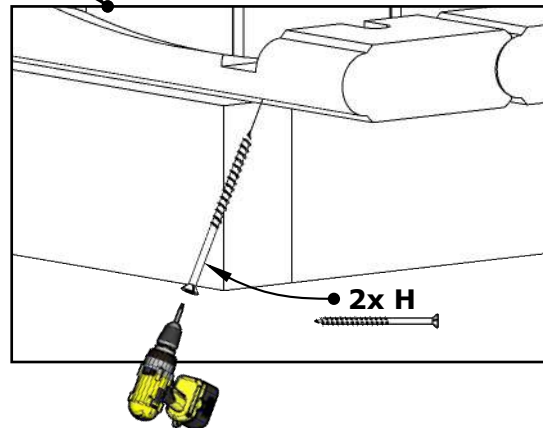
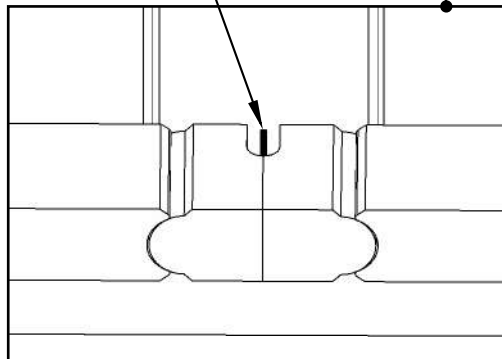


CL4G Outdoor Sauna 50D" x 81W" x 83H"

Use waterlevel



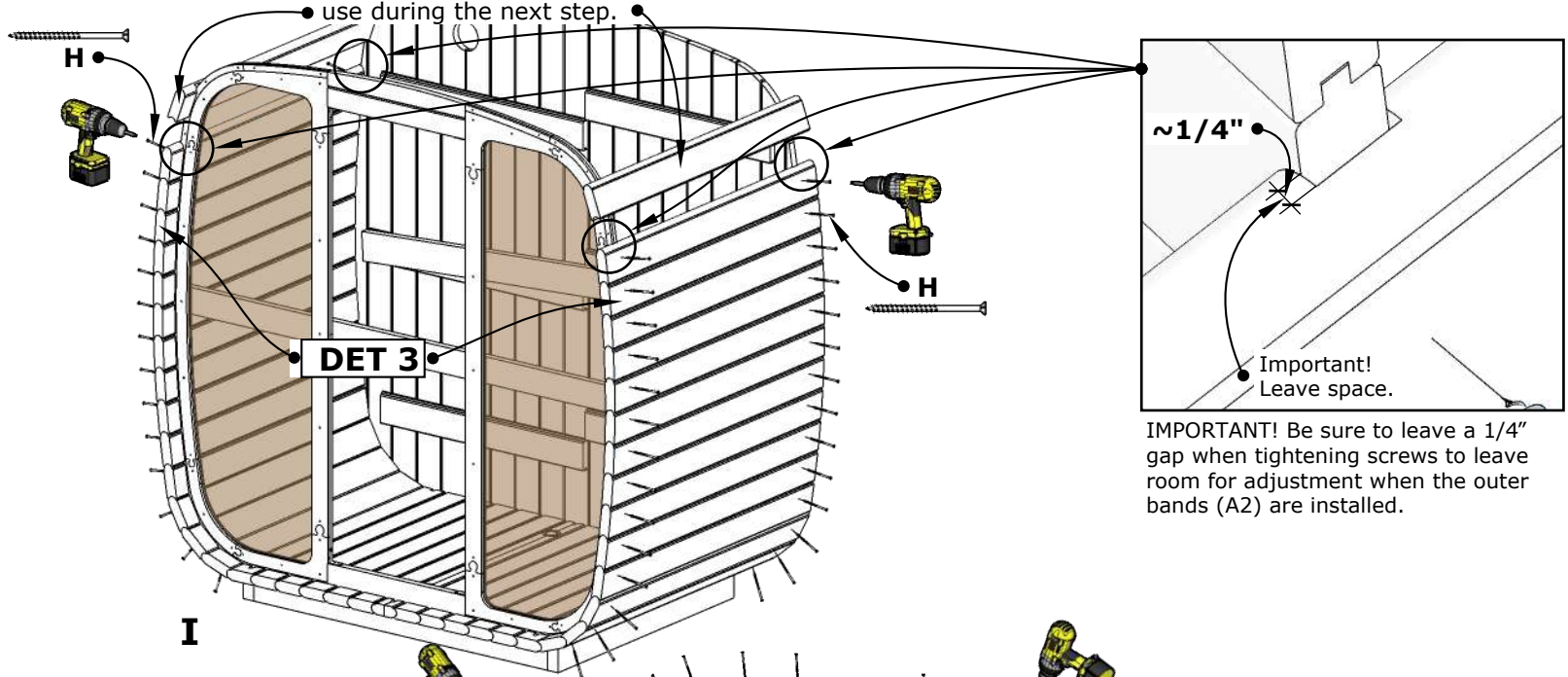
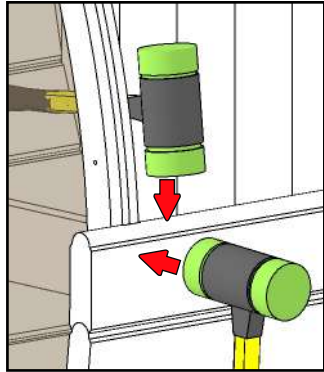
Make sure the marking on the wall is centered in the notch.



CL4G Outdoor Sauna 50D" x 81W" x 83H"

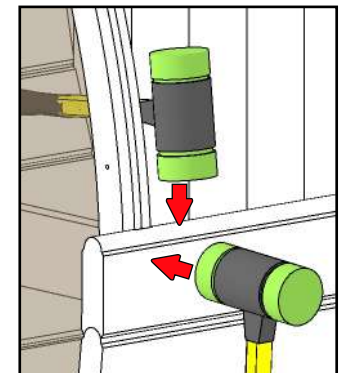
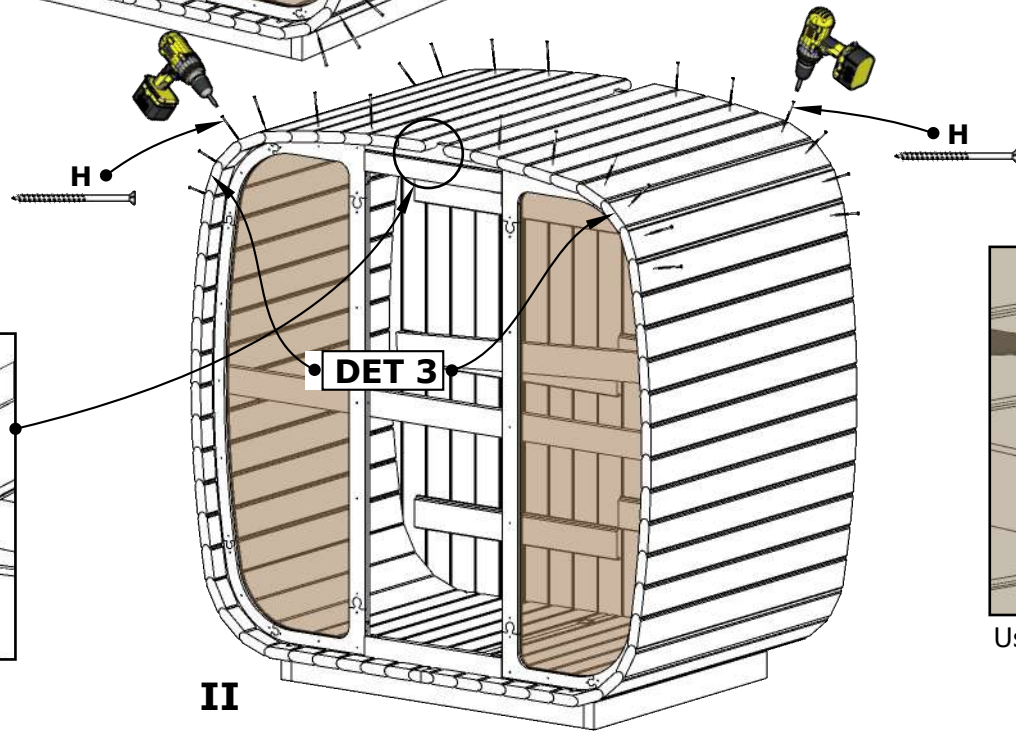
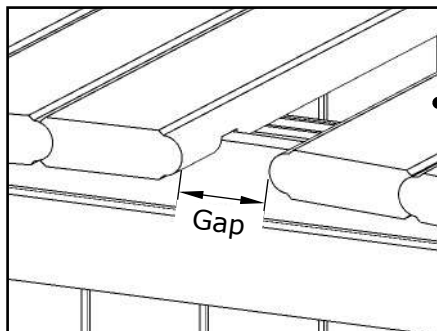
Remove DET 3 from their temporary positions and use during the next step.

Use rubber mallet!



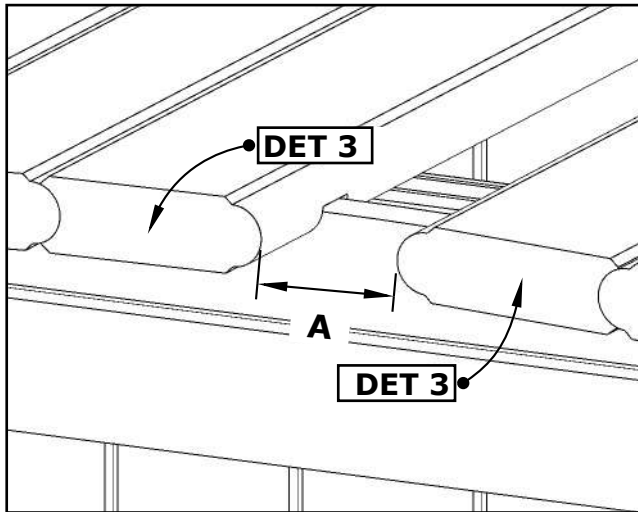
IMPORTANT! Be sure to leave a 1/4" gap when tightening screws to leave room for adjustment when the outer bands (A2) are installed.

See the next page.

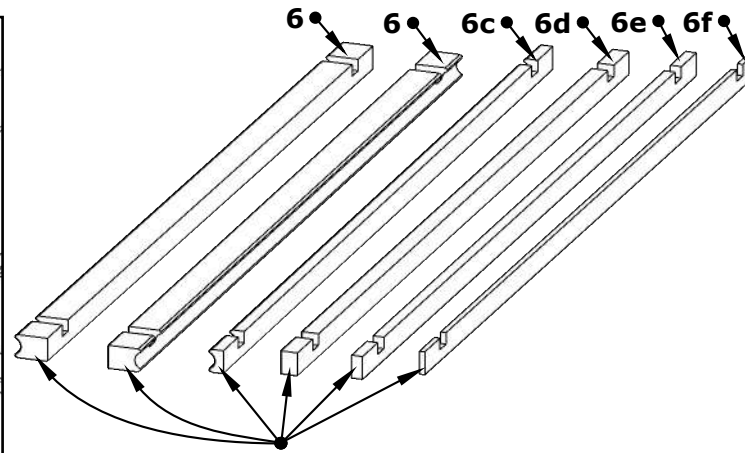


Use rubber mallet!

CL4G Outdoor Sauna 50D" x 81W" x 83H"

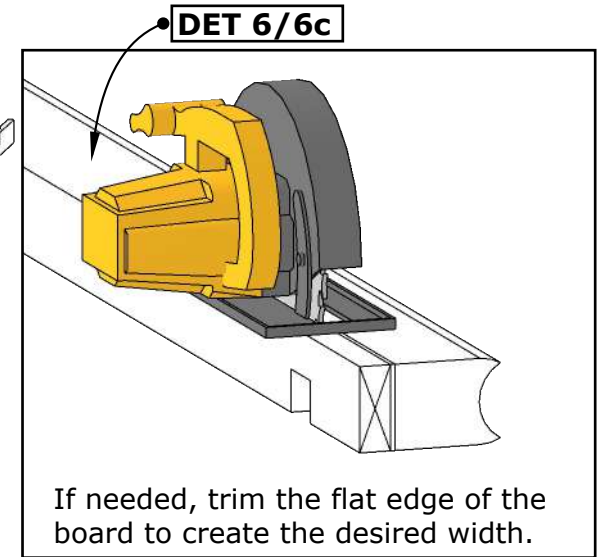


I

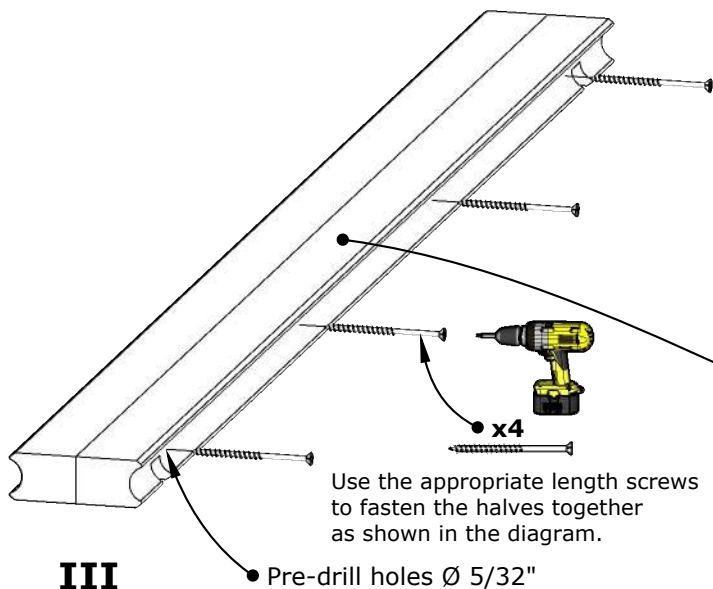


Join boards together (as shown in diagram III) that will bridge the width of the "A" gap. It is recommended that the combined boards are approximately 1/4" wider than the gap.

II



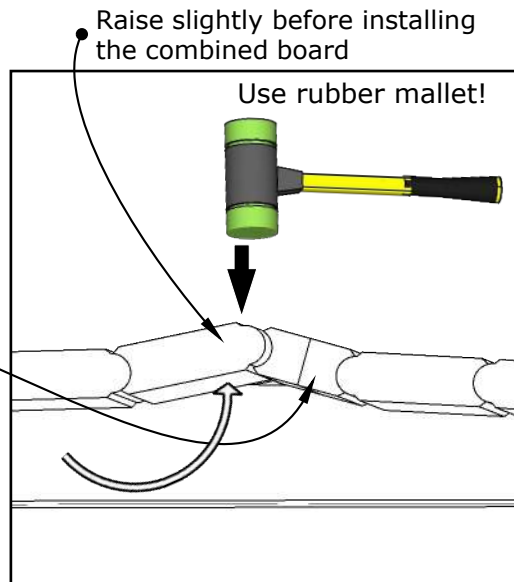
If needed, trim the flat edge of the board to create the desired width.



Use the appropriate length screws to fasten the halves together as shown in the diagram.

III

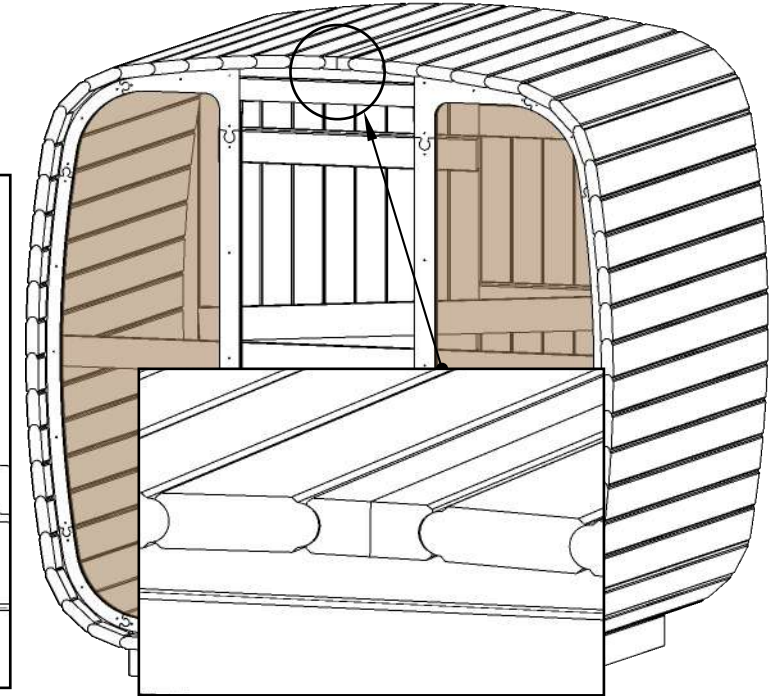
• Pre-drill holes \varnothing 5/32"



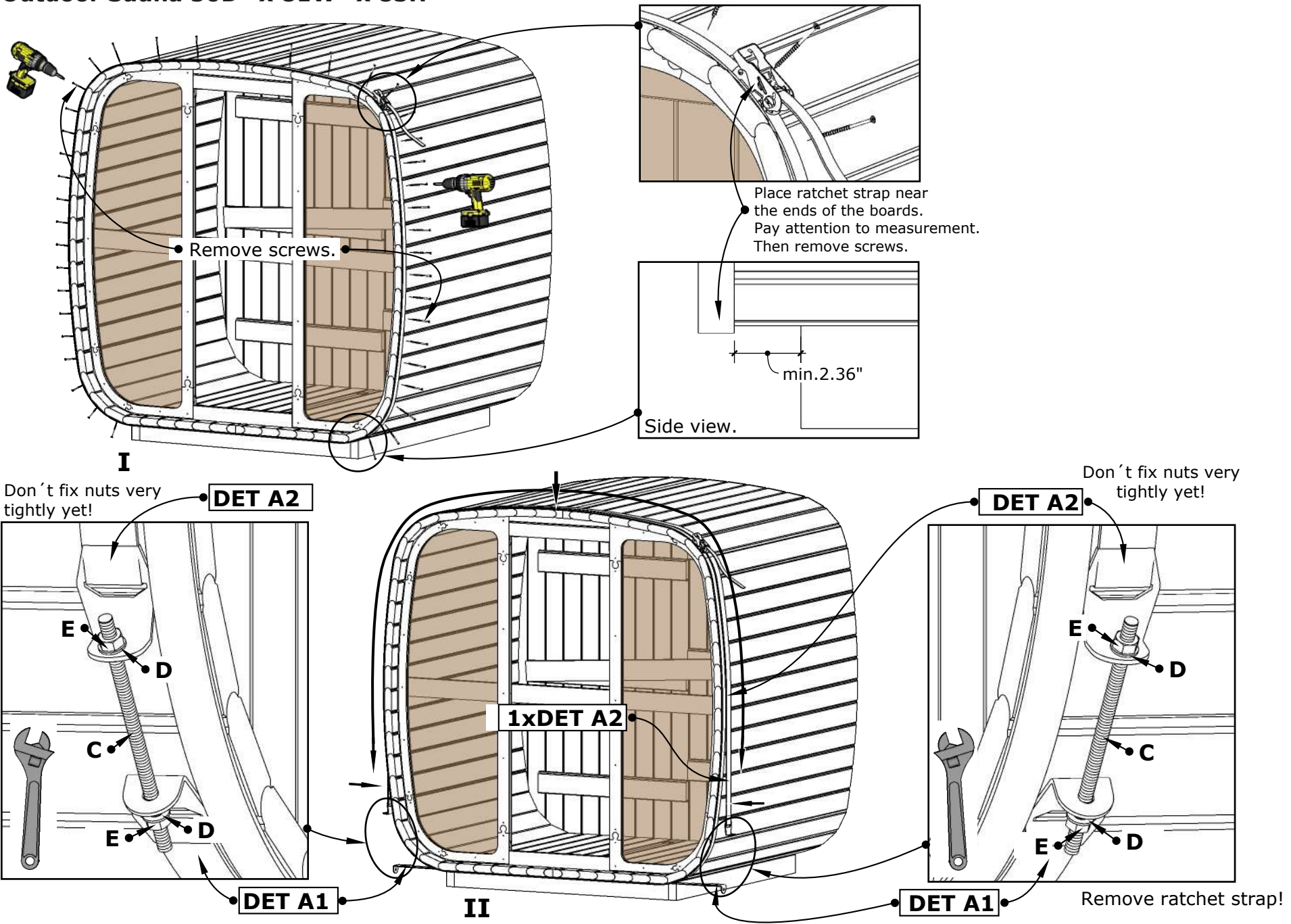
Raise slightly before installing the combined board

Use rubber mallet!

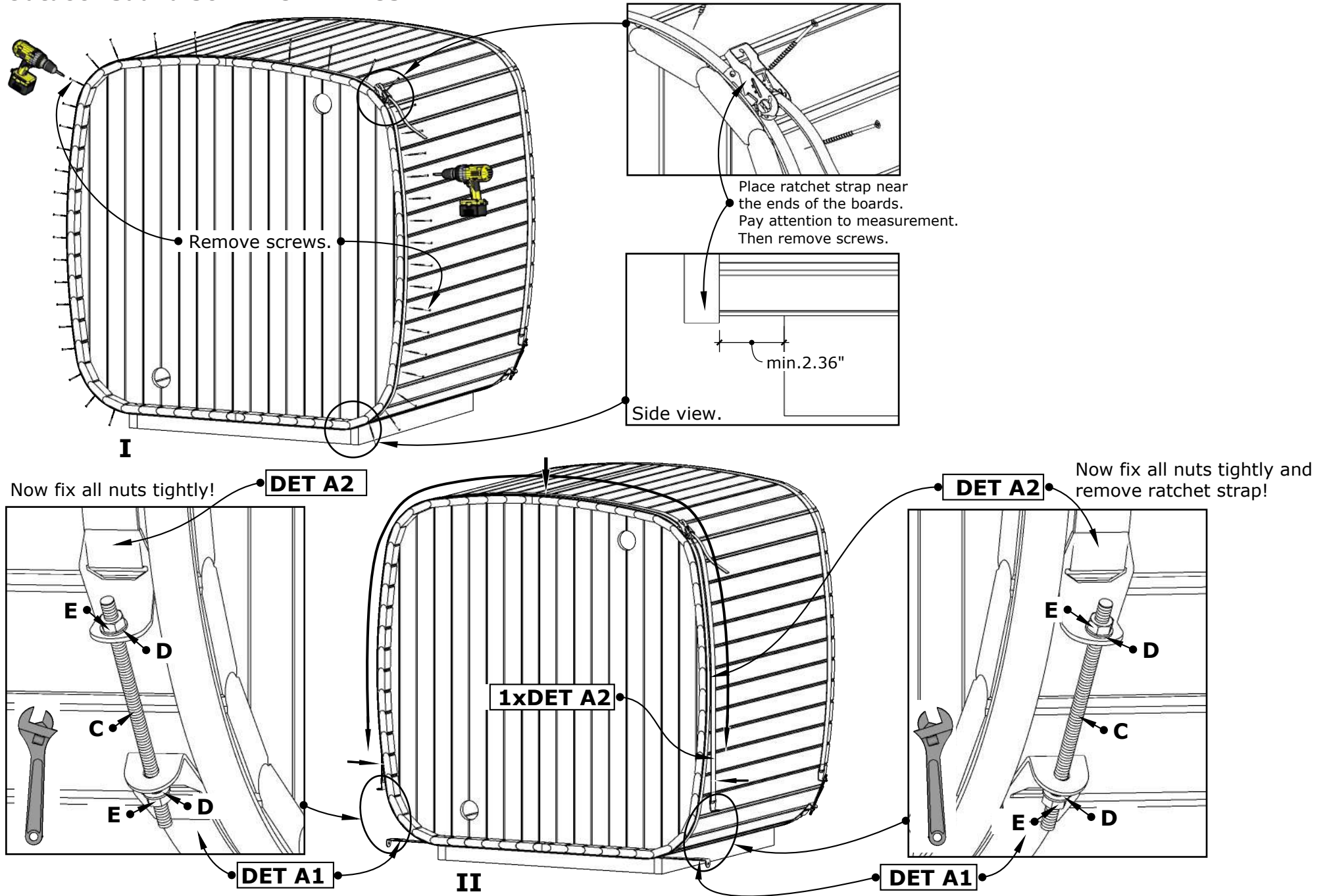
IV



CL4G Outdoor Sauna 50D" x 81W" x 83H"

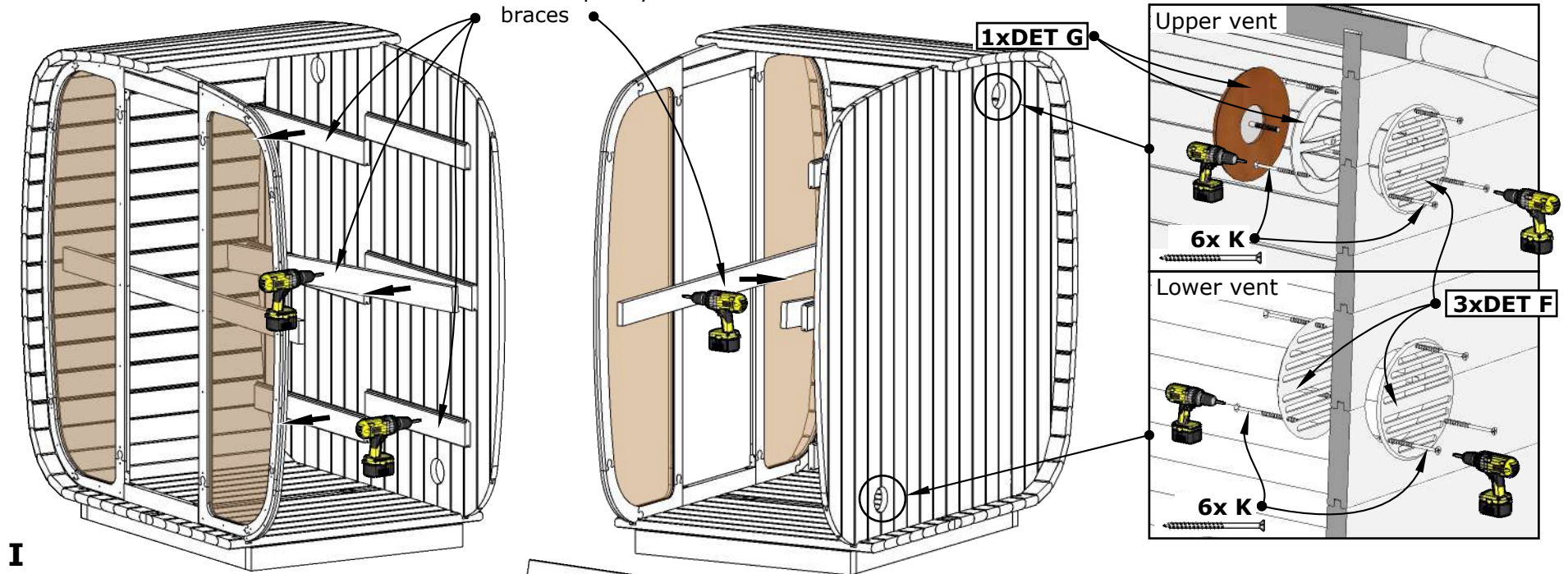


CL4G Outdoor Sauna 50D" x 81W" x 83H"

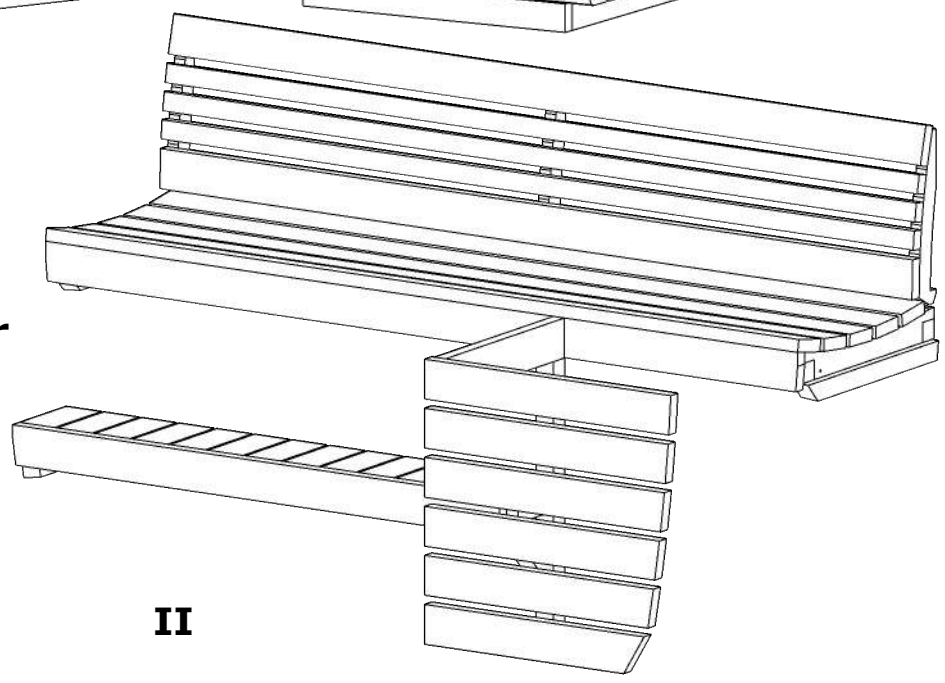


CL4G Outdoor Sauna 50D" x 81W" x 83H"

Remove all temporary braces

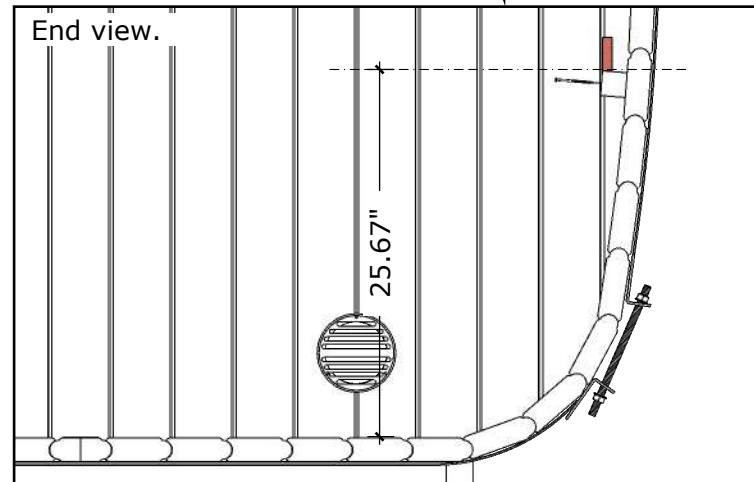
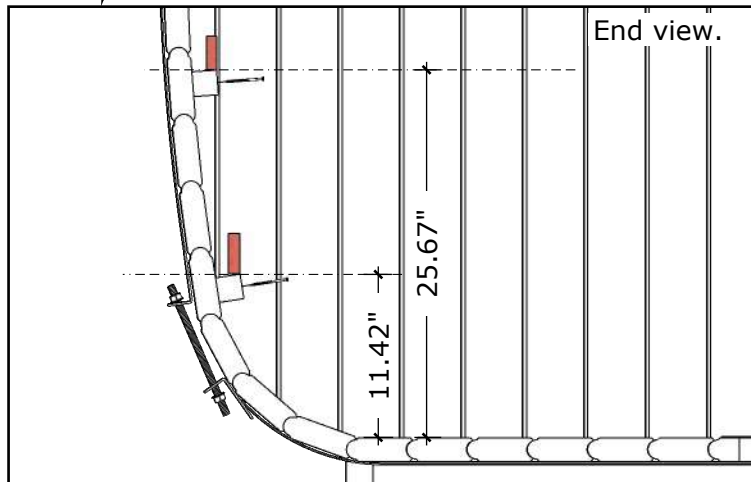
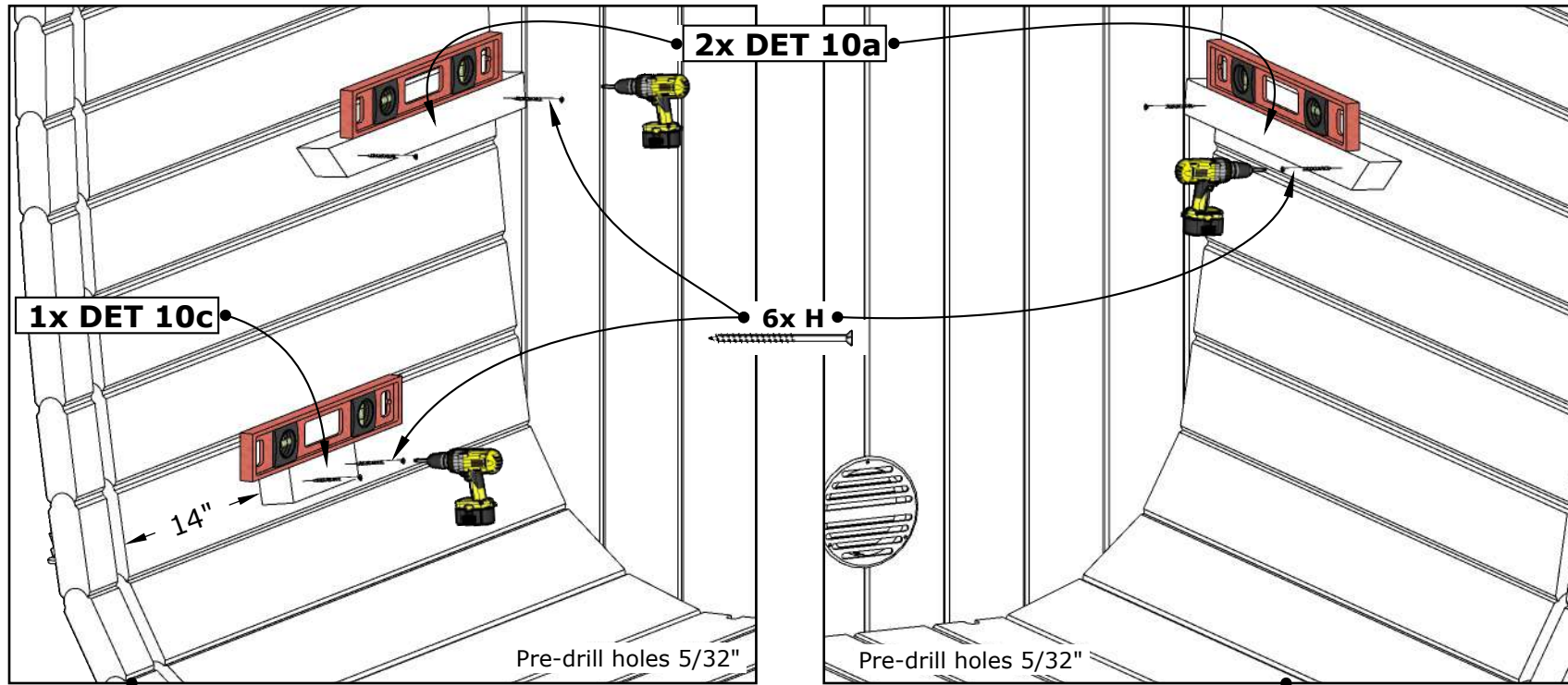


Interior

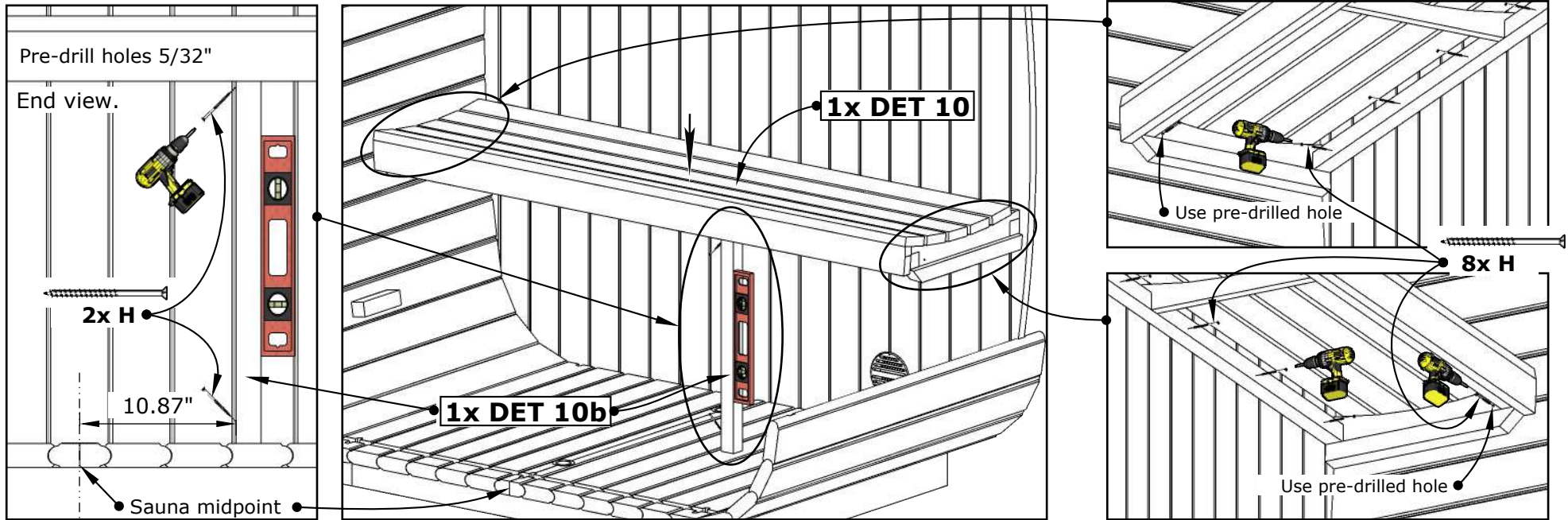


CL4G Outdoor Sauna 50D" x 81W" x 83H"

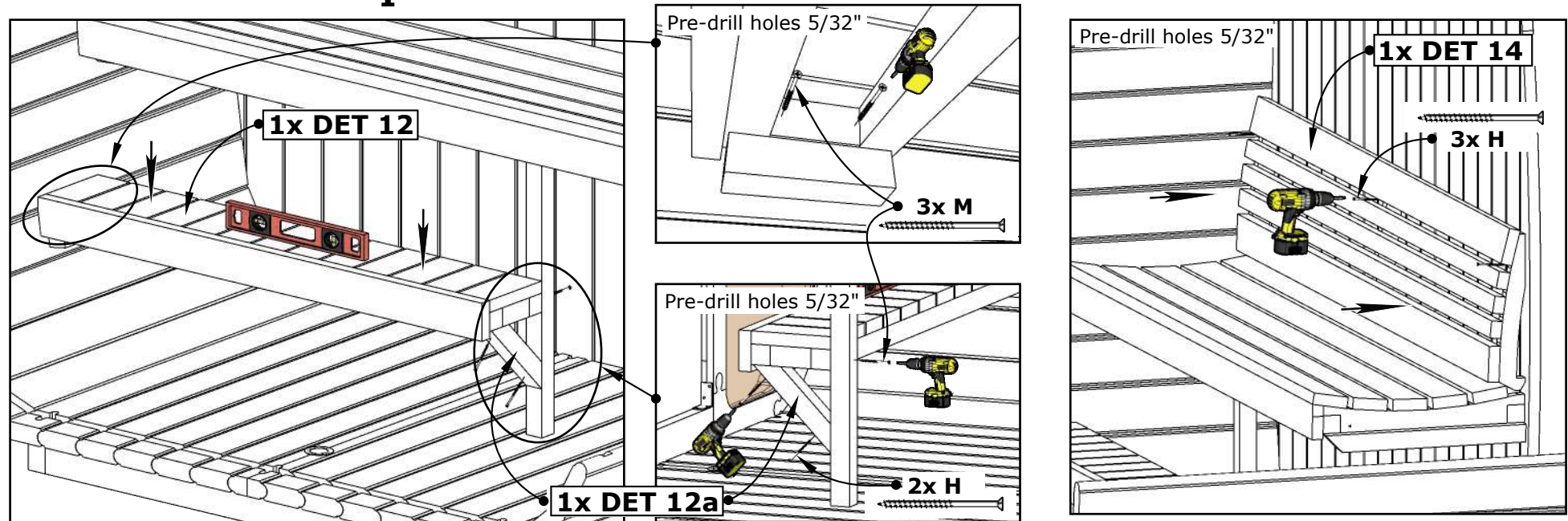
Use waterlevel for installation!



CL4G Outdoor Sauna 50D" x 81W" x 83H"



I



14. II

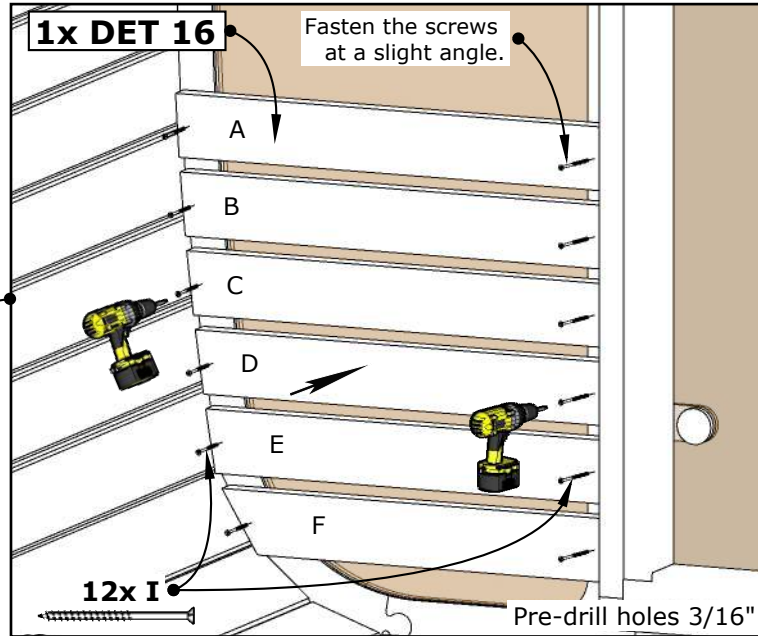
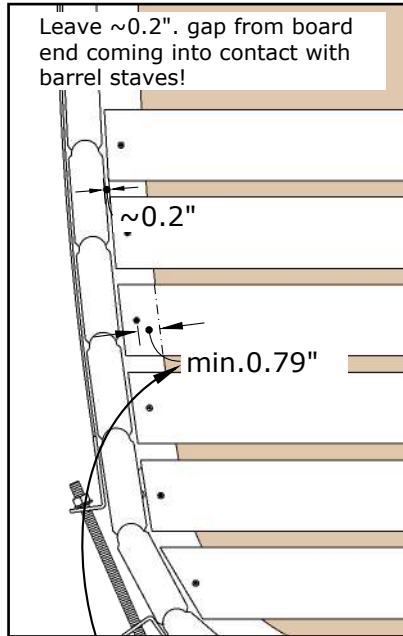
III

CL4G Outdoor Sauna 50D" x 81W" x 83H"



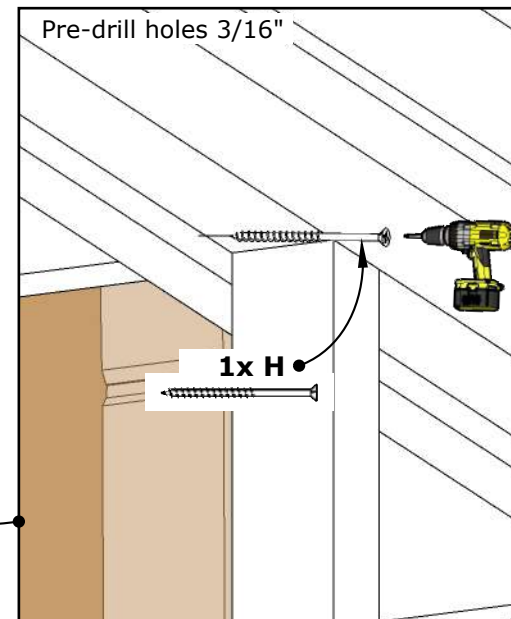
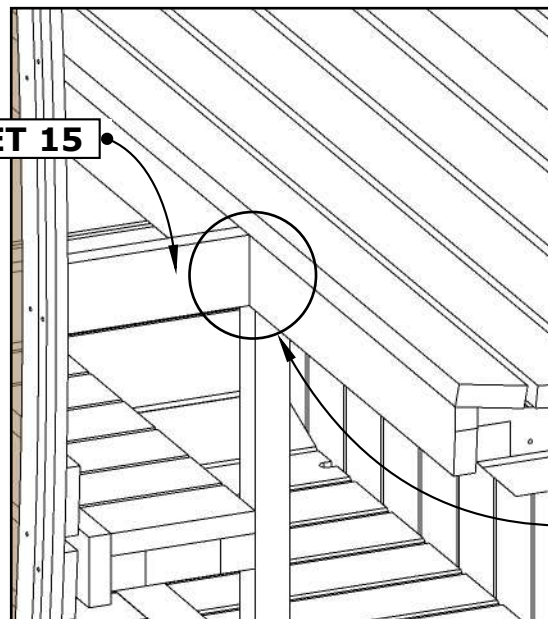
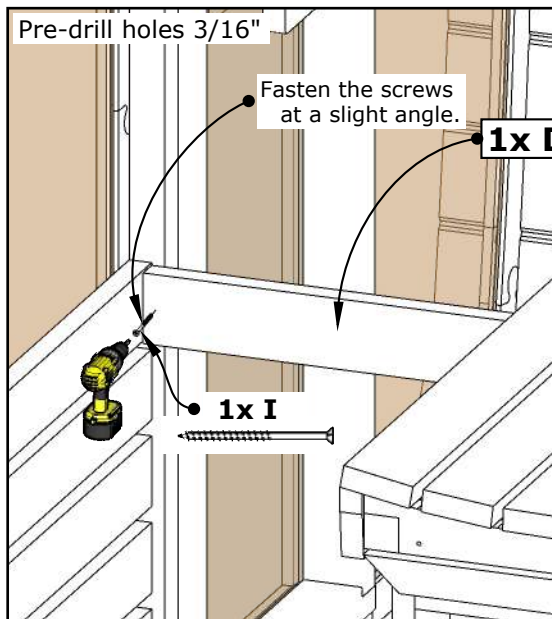
CL4G Outdoor Sauna 50D" x 81W" x 83H"

Please be careful!!! Do not hit the glass with the screw.



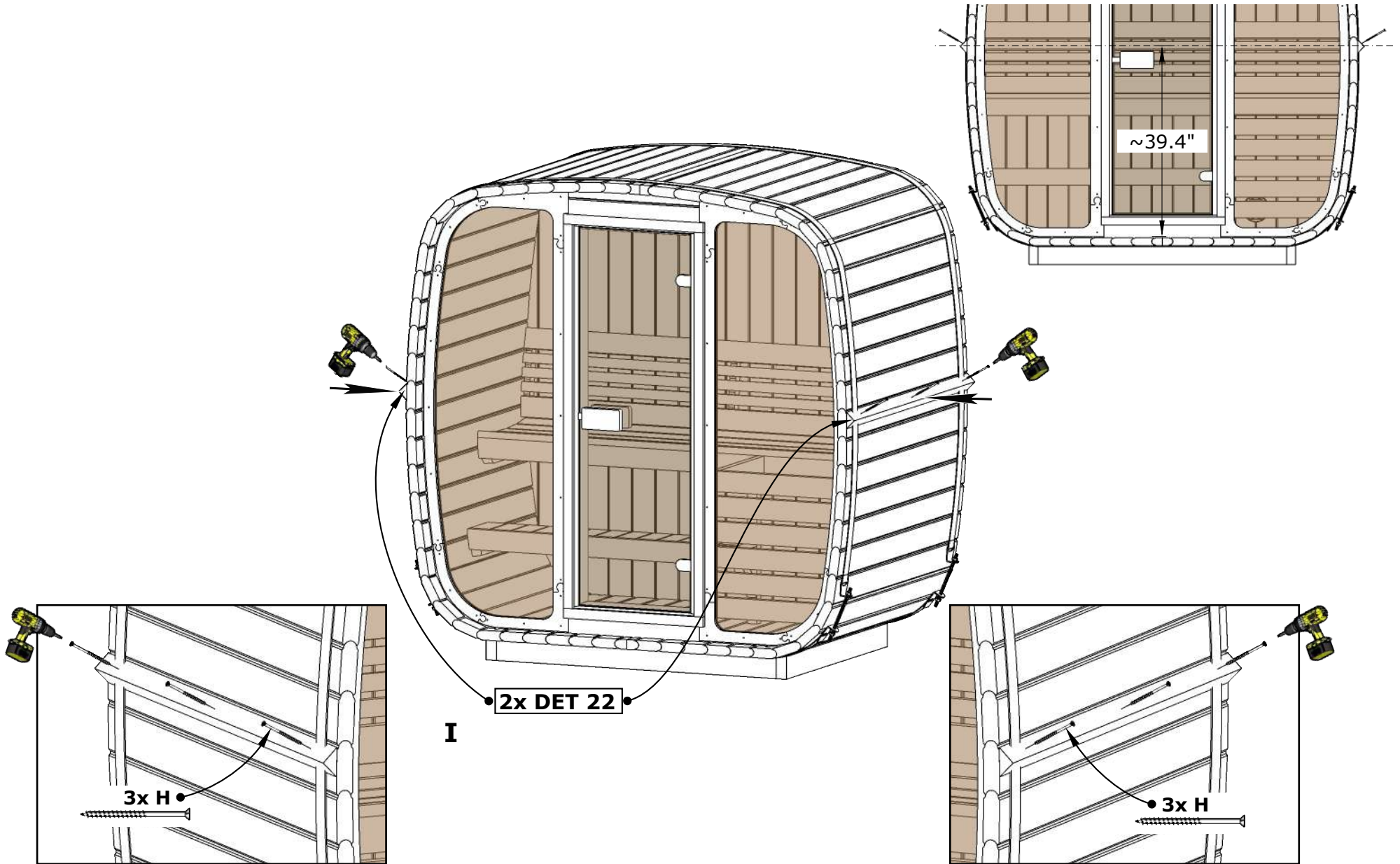
Please be careful!!! Do not hit the glass with the screw.

I



II

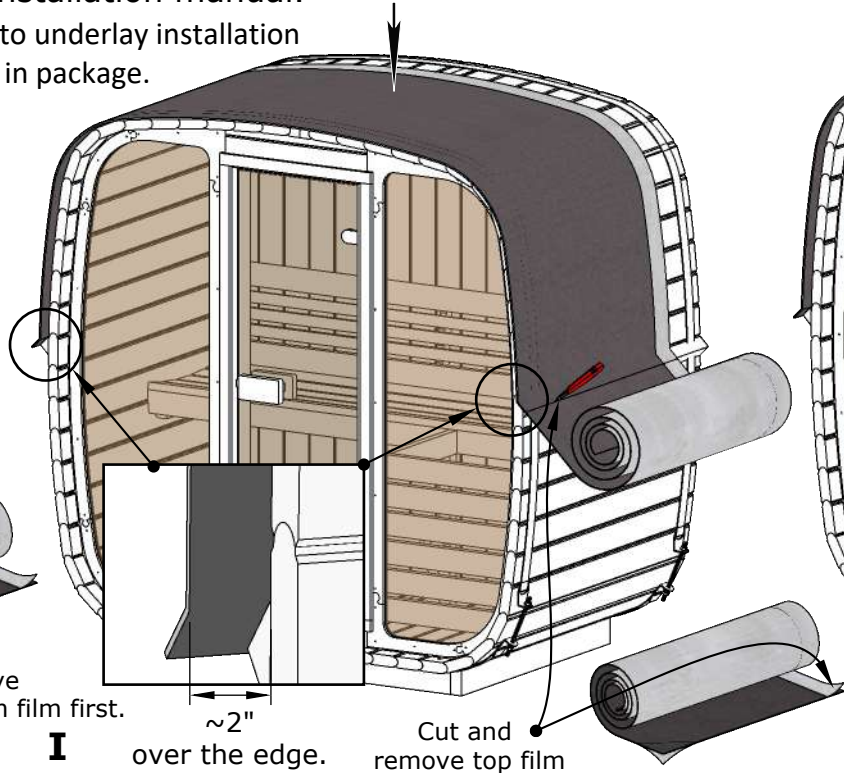
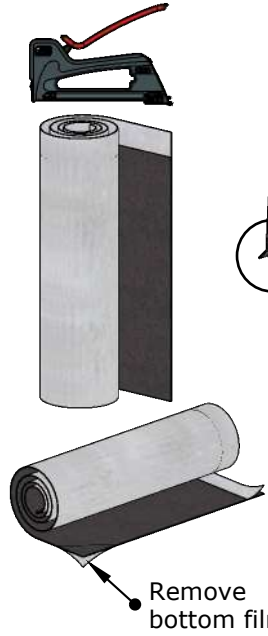
CL4G Outdoor Sauna 50D" x 81W" x 83H"



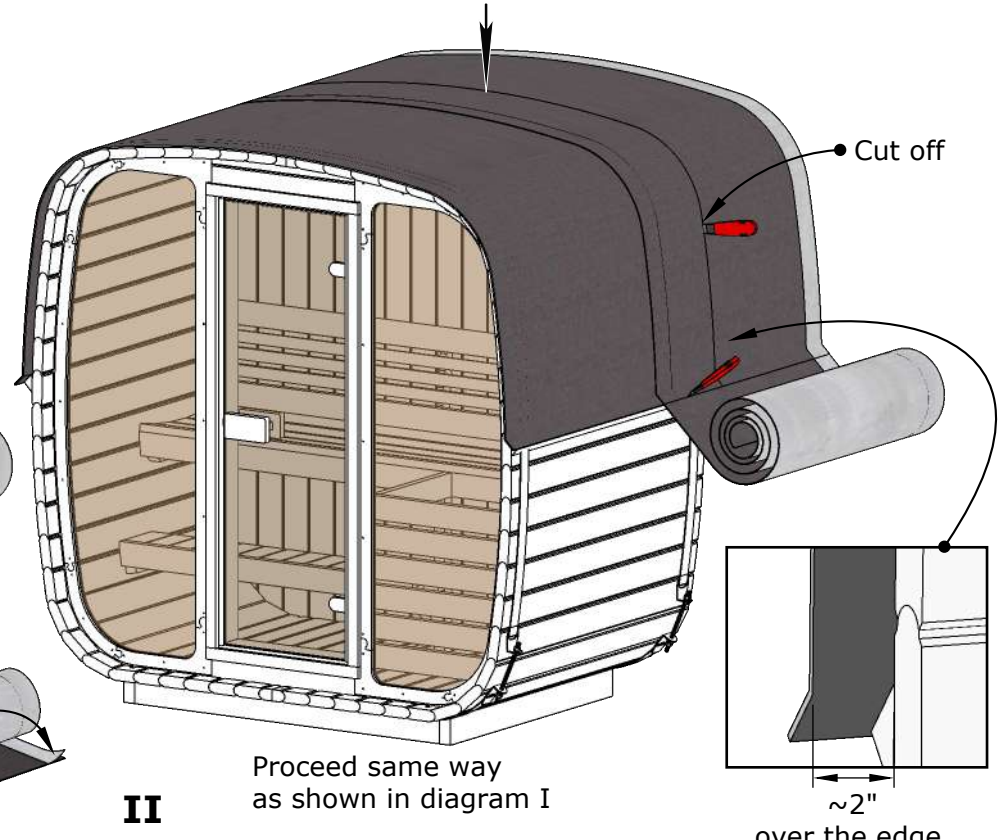
CL4G Outdoor Sauna 50D" x 81W" x 83H"

Underlay felt installation manual.

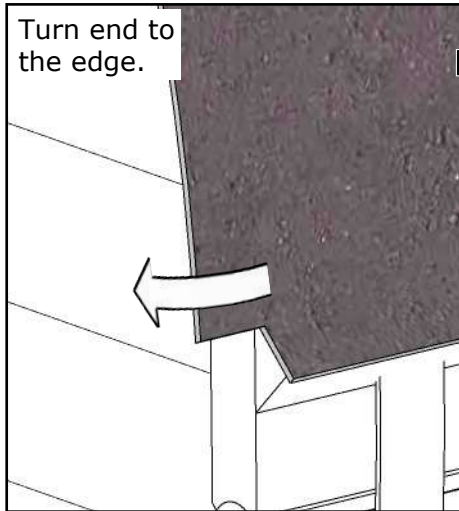
Attention! Refer to underlay installation manual provided in package.



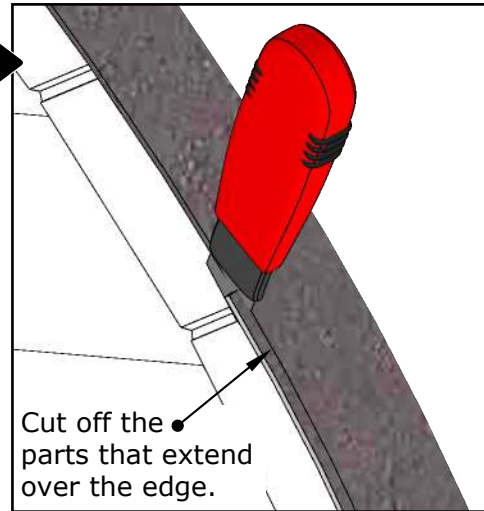
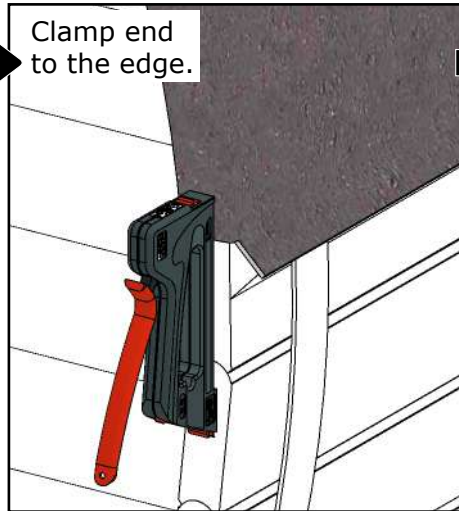
I



II

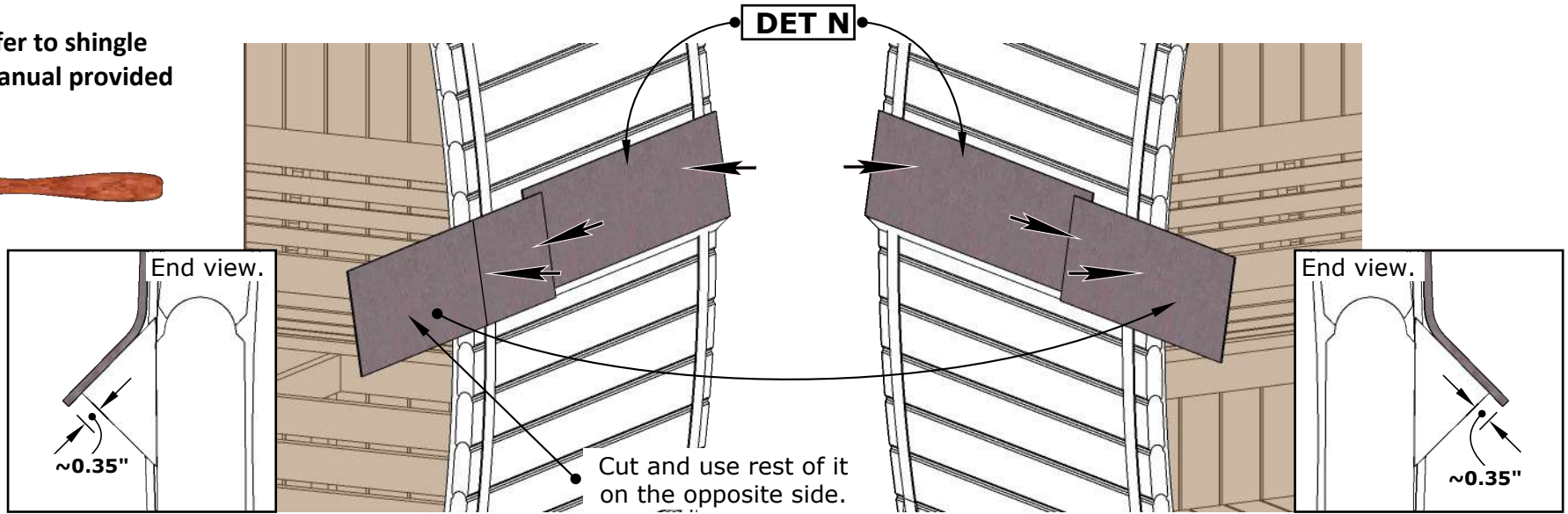


III

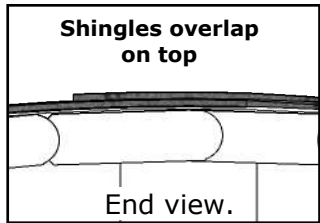


CL4G Outdoor Sauna 50D" x 81W" x 83H"

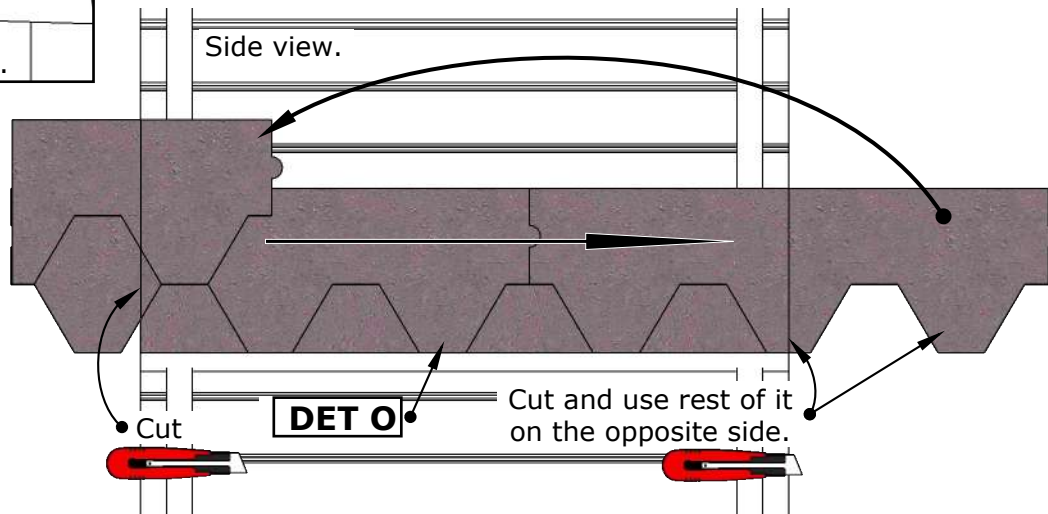
Attention! Refer to shingle installation manual provided in package.



I

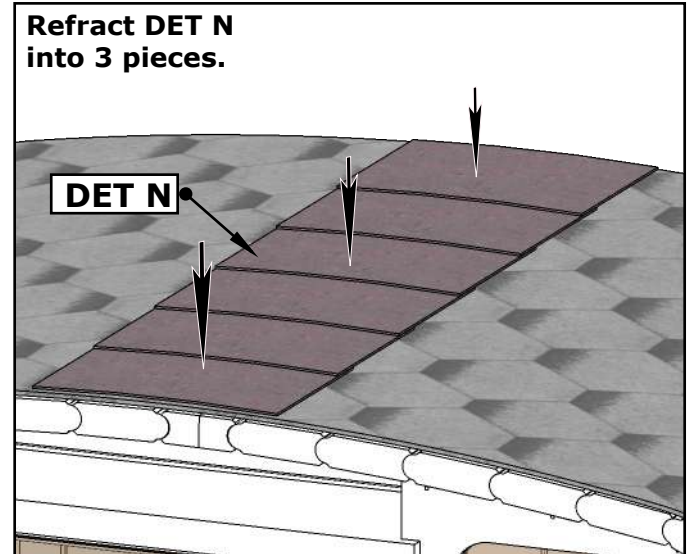


Attention! Refer to shingle installation manual provided in package.



II

Attention! Refer to shingle installation manual provided in package.



III

CL4G Outdoor Sauna 50D" x 81W" x 83H"

