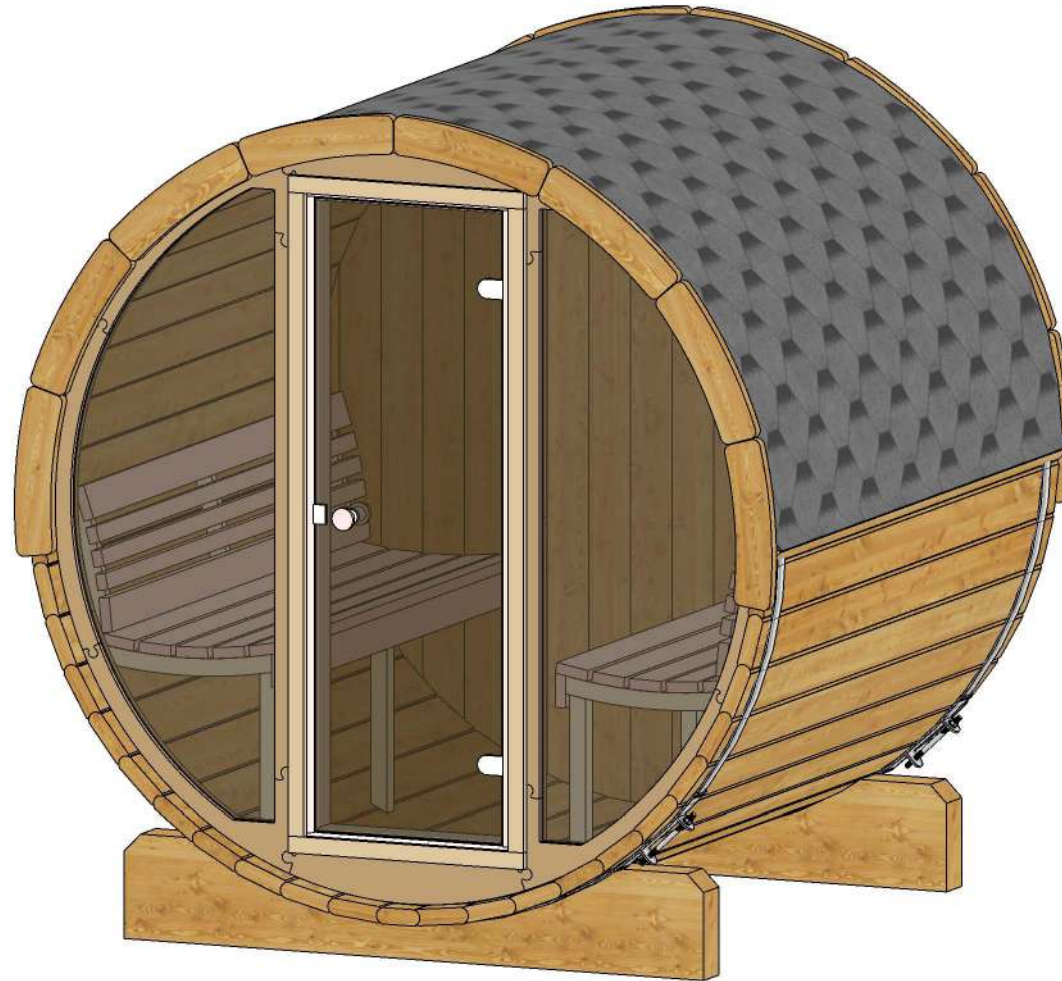




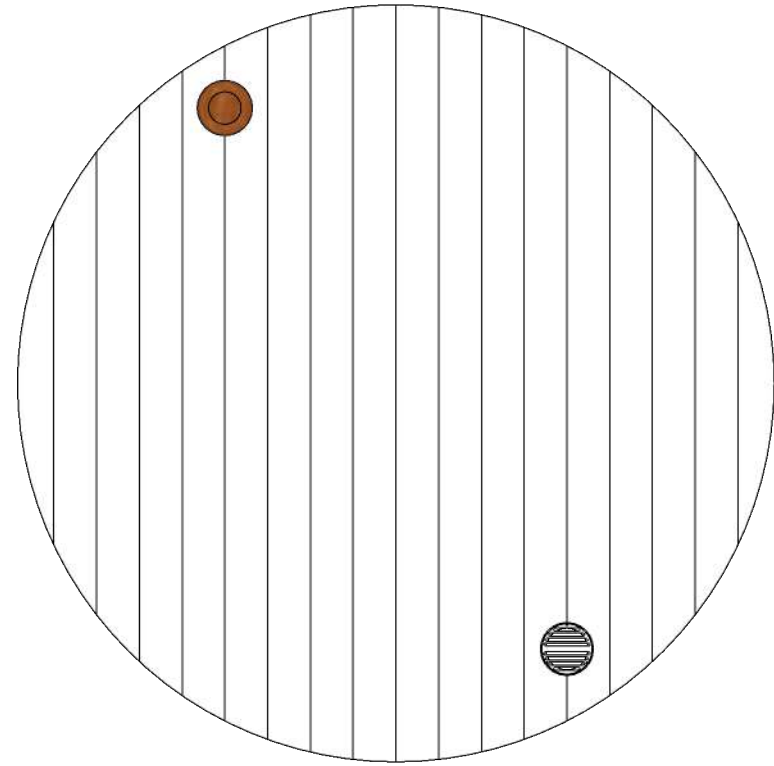
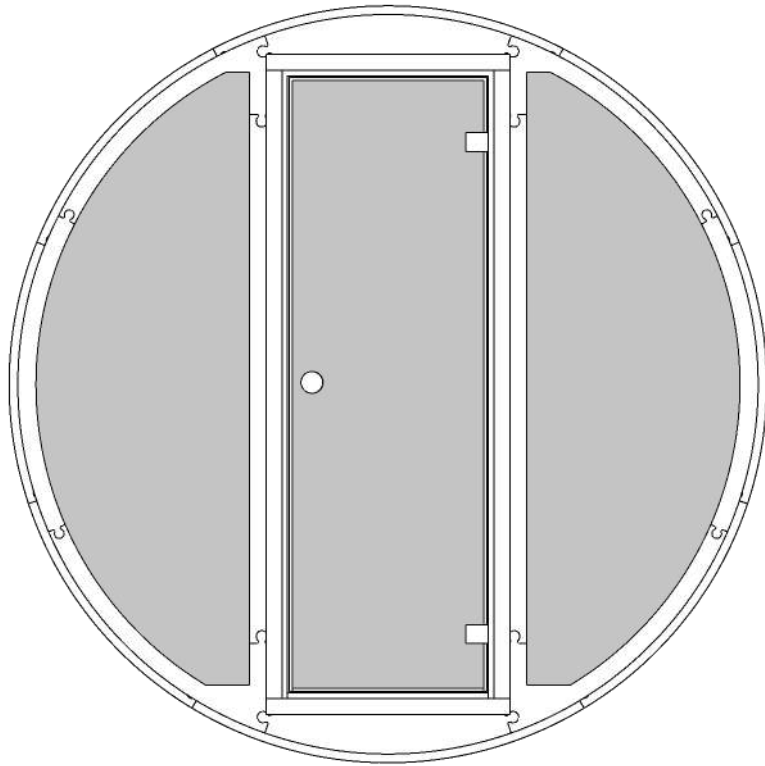
Ergo-Series E7G Barrel Sauna
Full Glass Front 71D" x 81H"



Note: Please read manual before construction

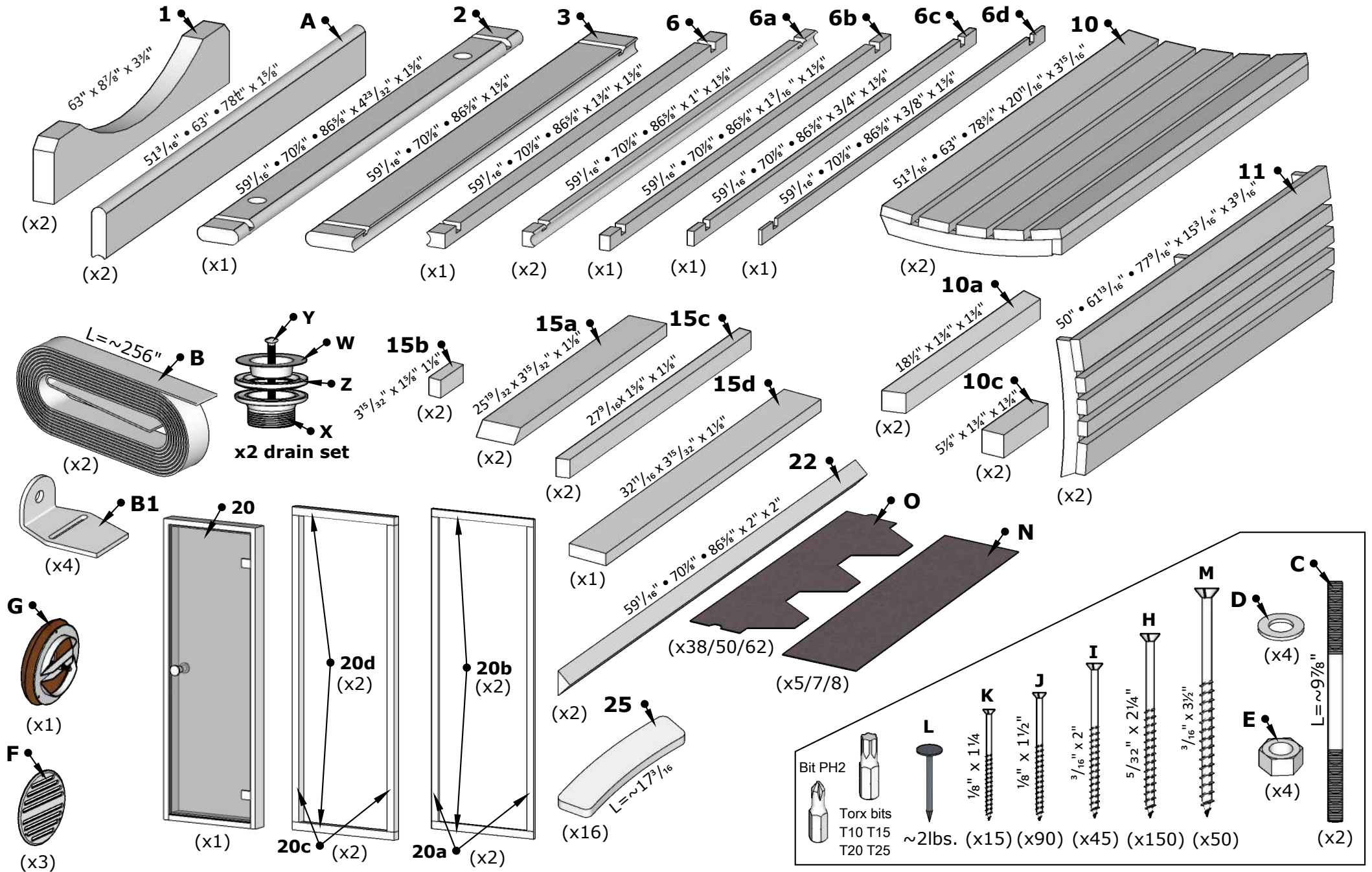
Rev 4/2023

Front & Back Walls

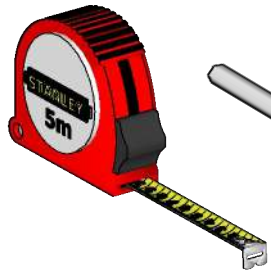


E7G Barrel Sauna 71D" x 81H"

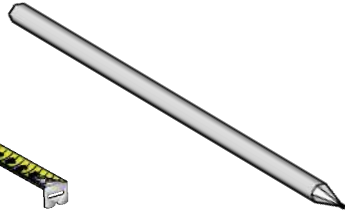
Details list.



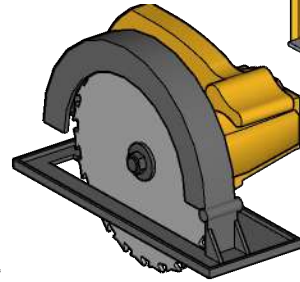
Tools needed



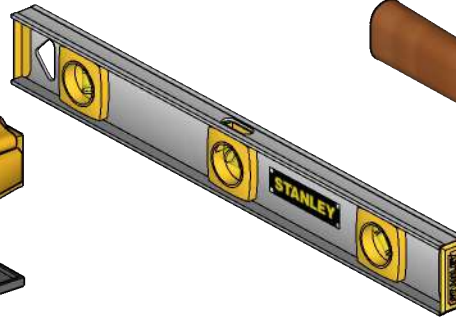
Measuring tape



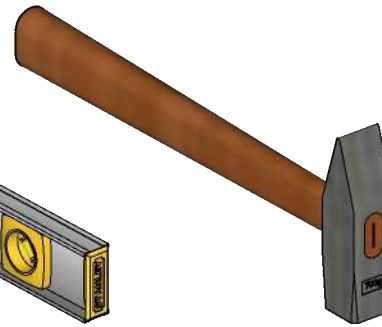
Marker pen



Circular saw



Water level



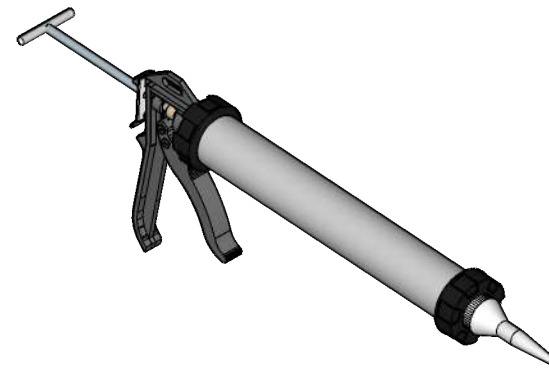
Hammer



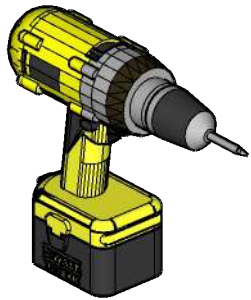
Extra hands



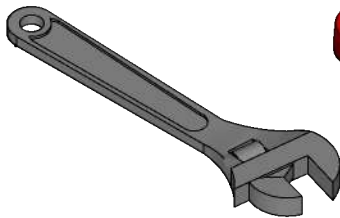
Ratchet strap



Silicone gun
(Only glass-wall models)



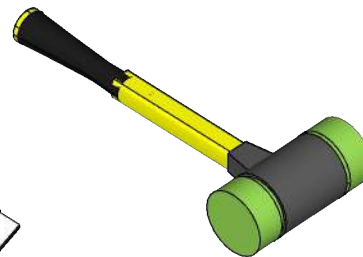
Drill



Crescent wrench

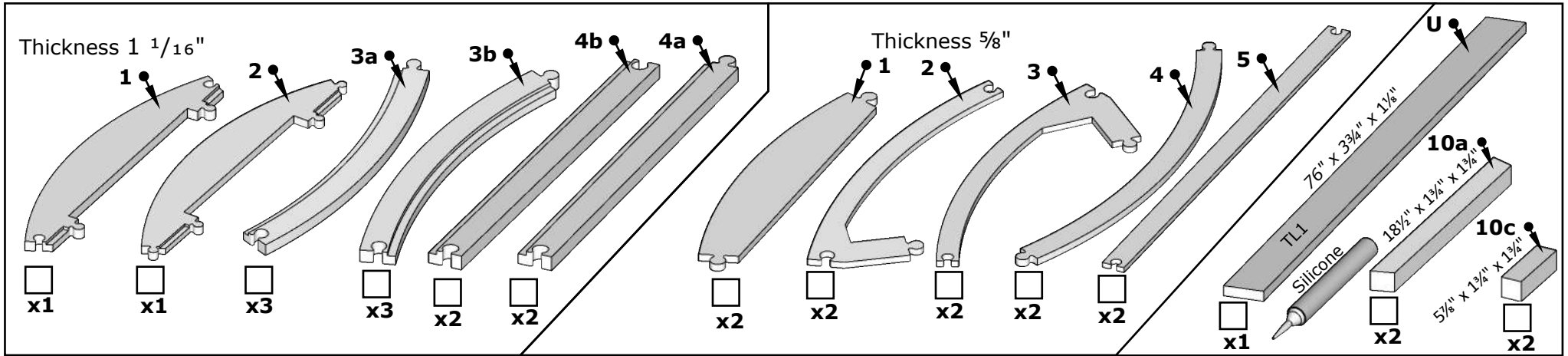


Utility knife

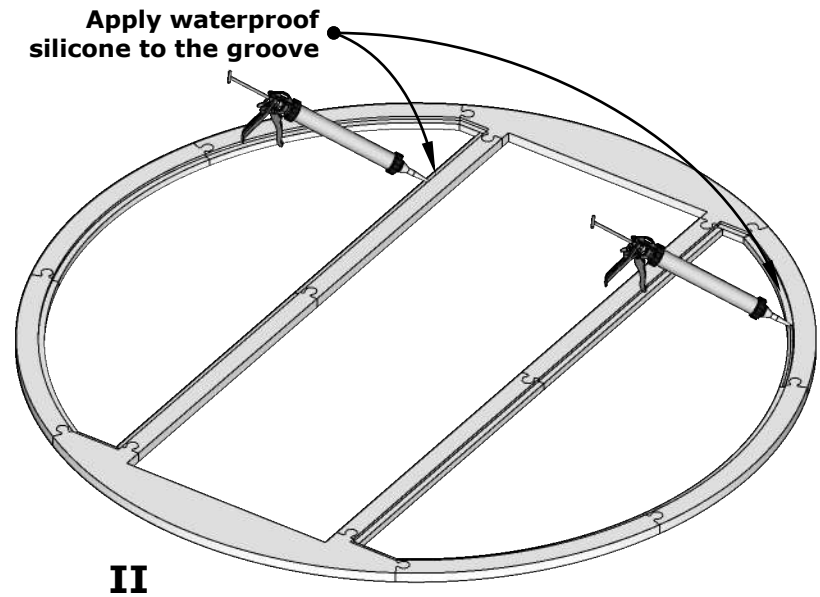
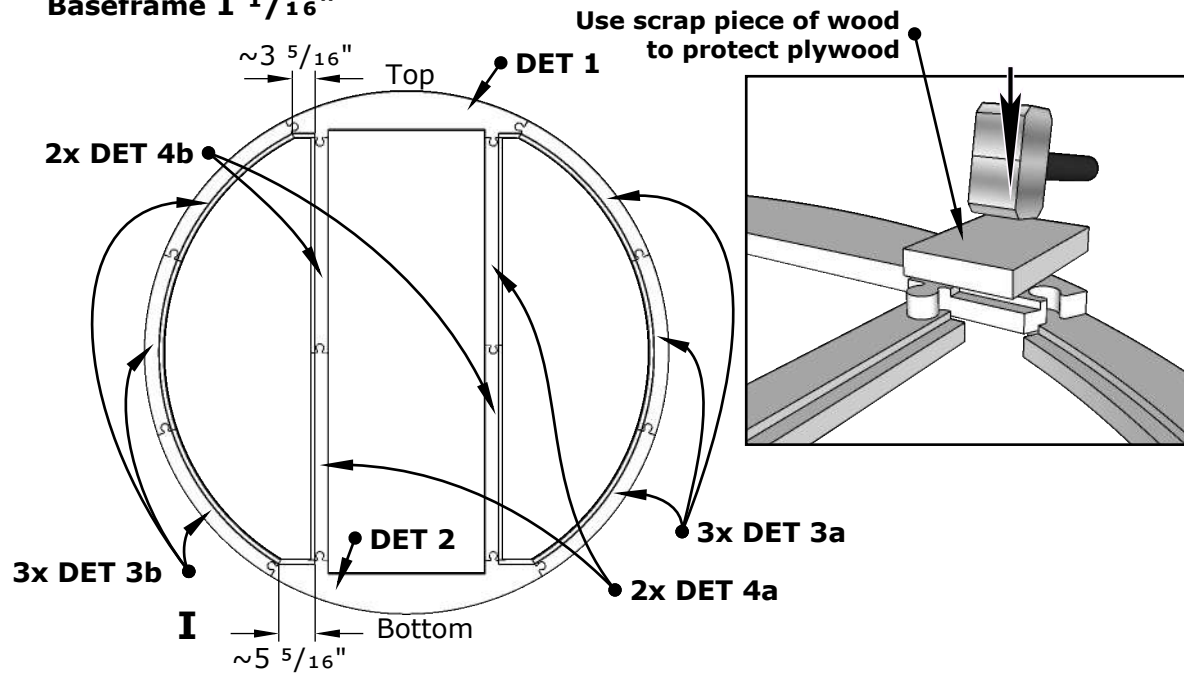


Rubber mallet

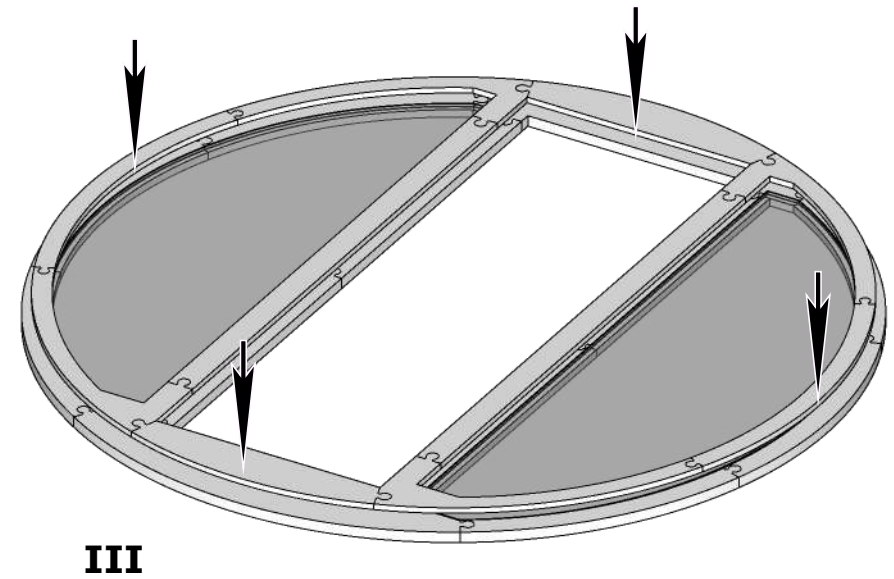
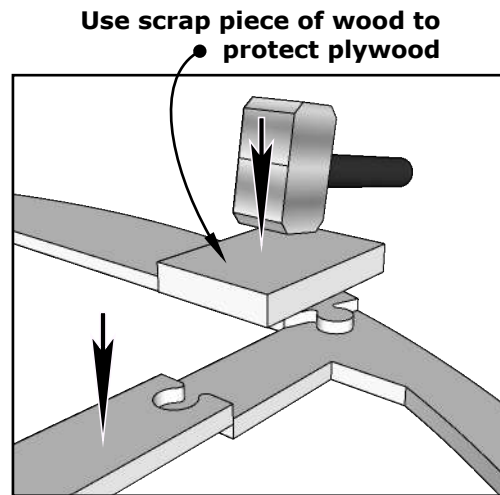
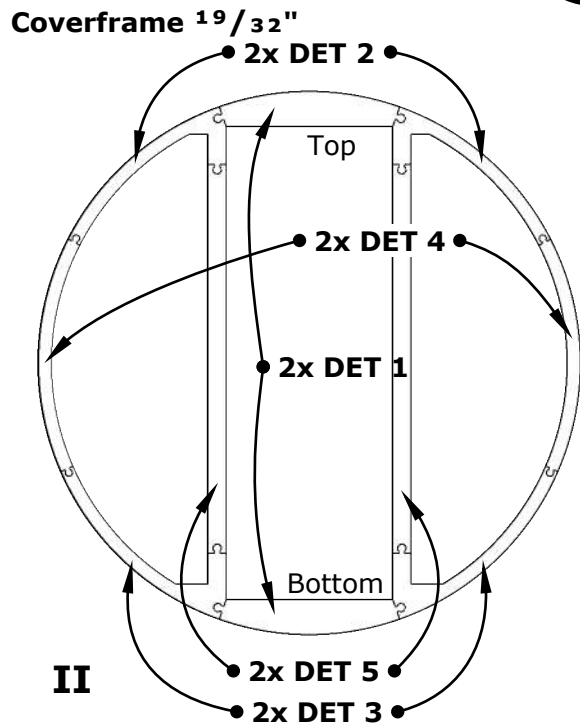
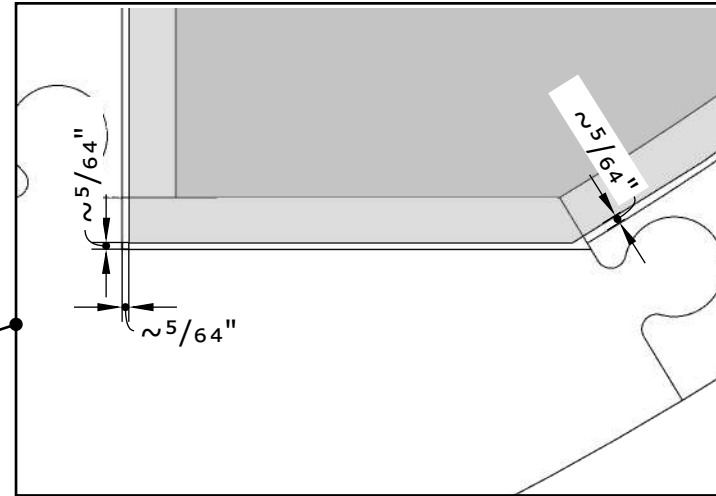
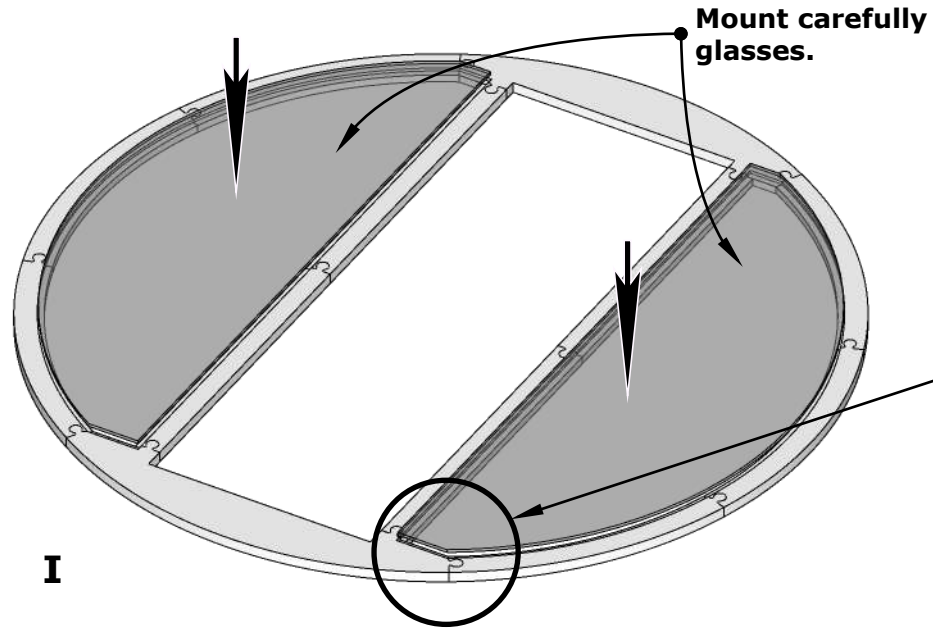
Front glass wall installation



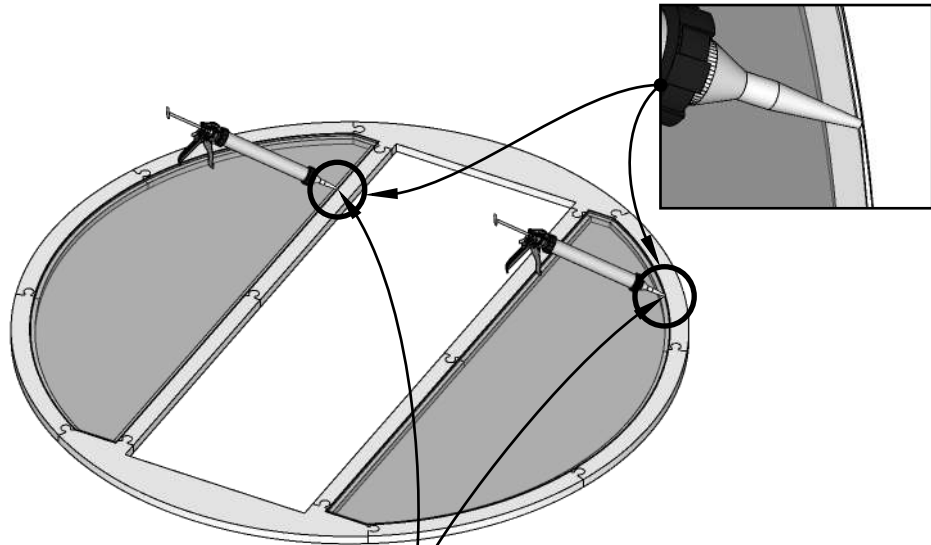
Baseframe $1 \frac{1}{16}$ "



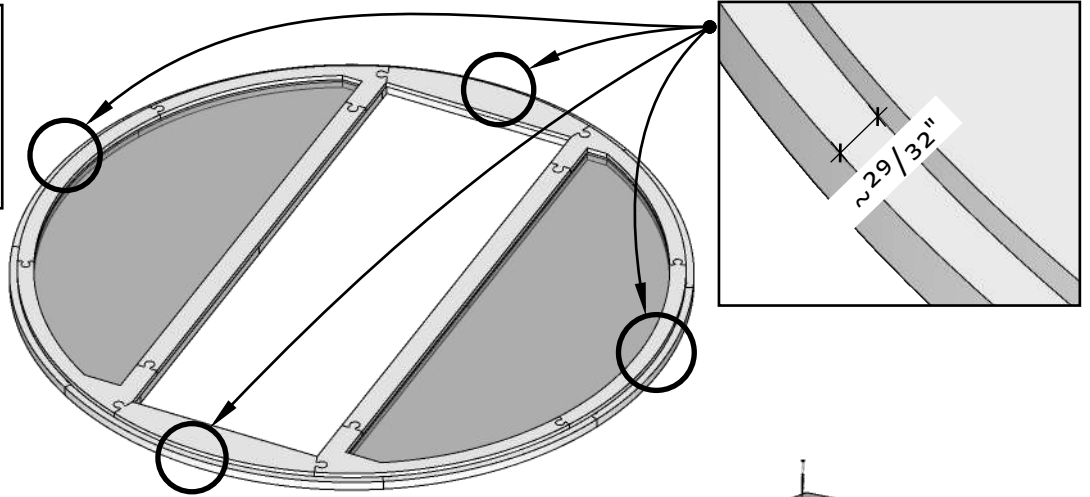
Front glass wall installation



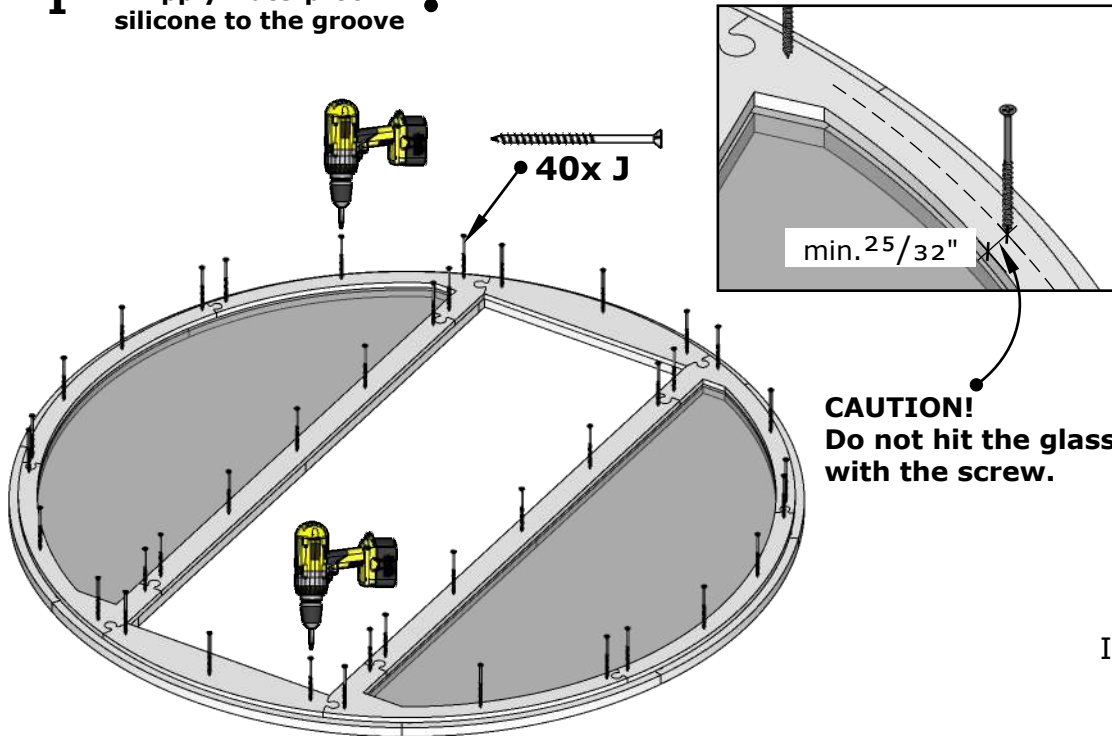
Front glass wall installation



I Apply waterproof silicone to the groove

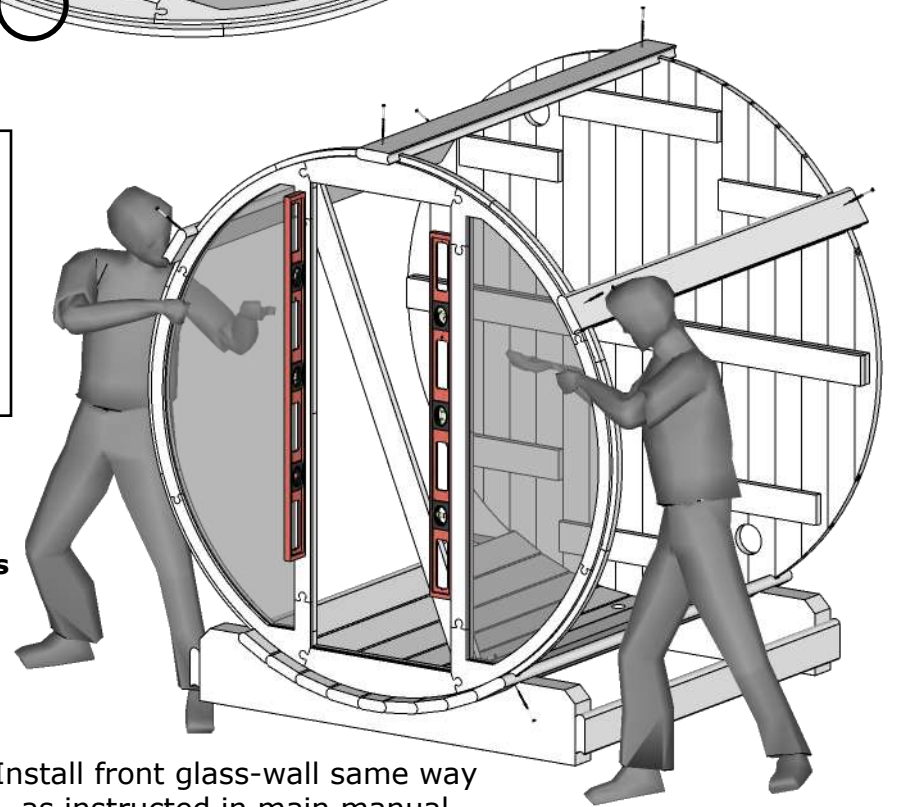


II



CAUTION!
Do not hit the glass with the screw.

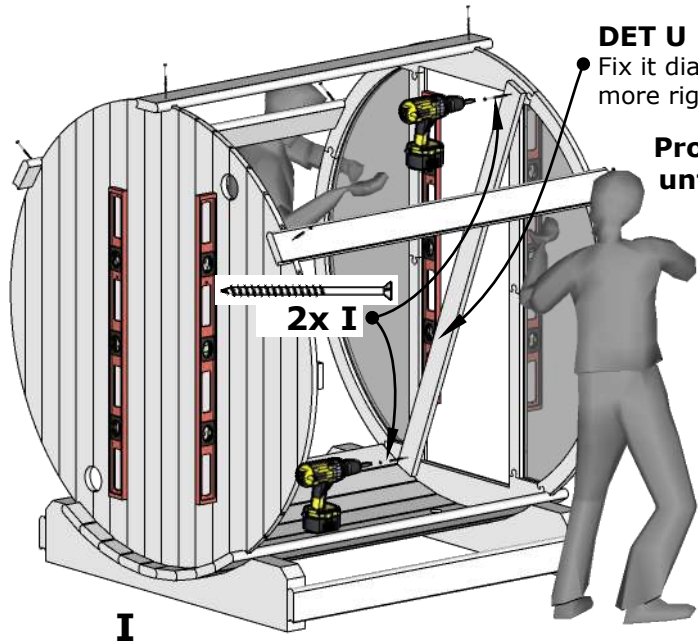
III



Install front glass-wall same way as instructed in main manual.

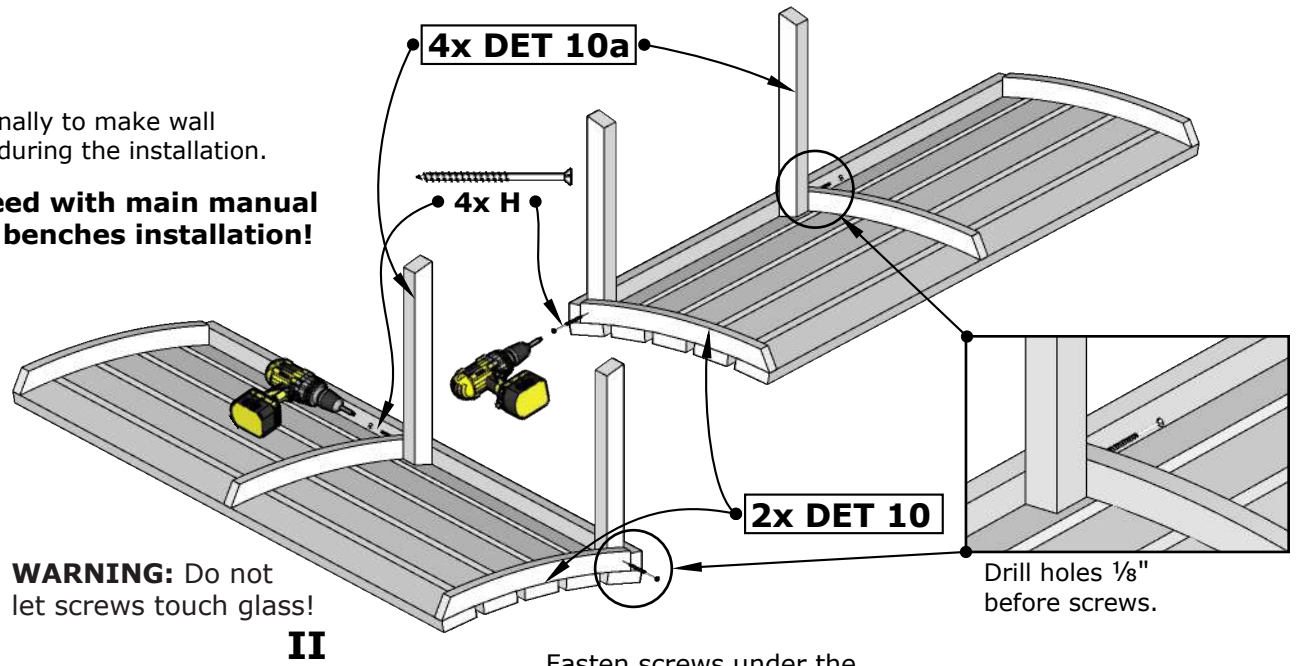
IV

Front glass wall installation

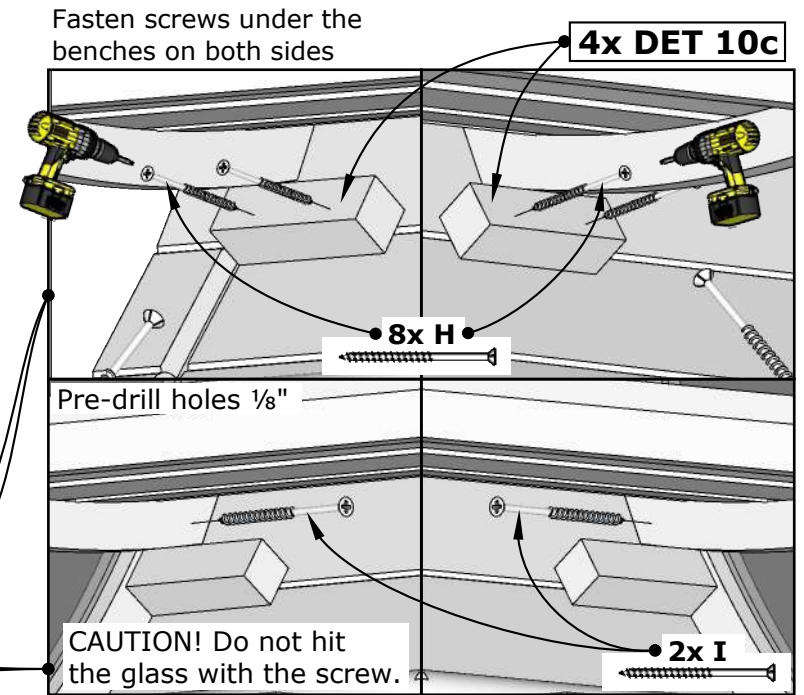
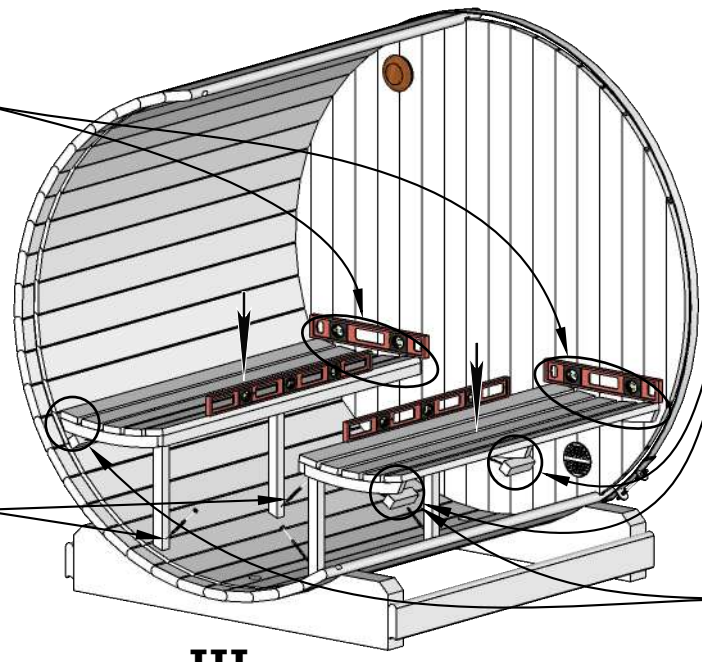
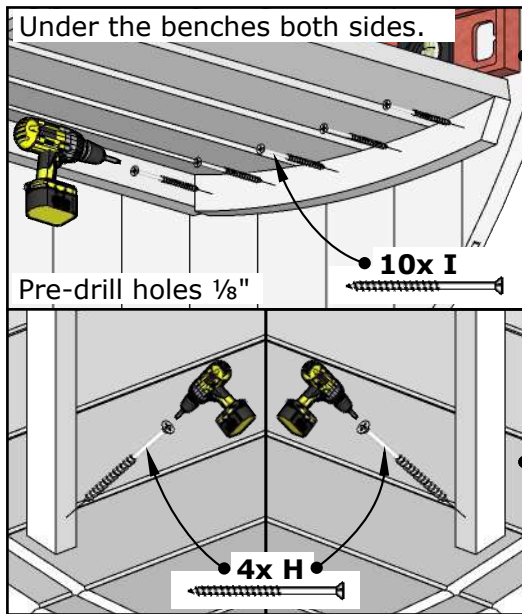


DET U
 Fix it diagonally to make wall more rigid during the installation.

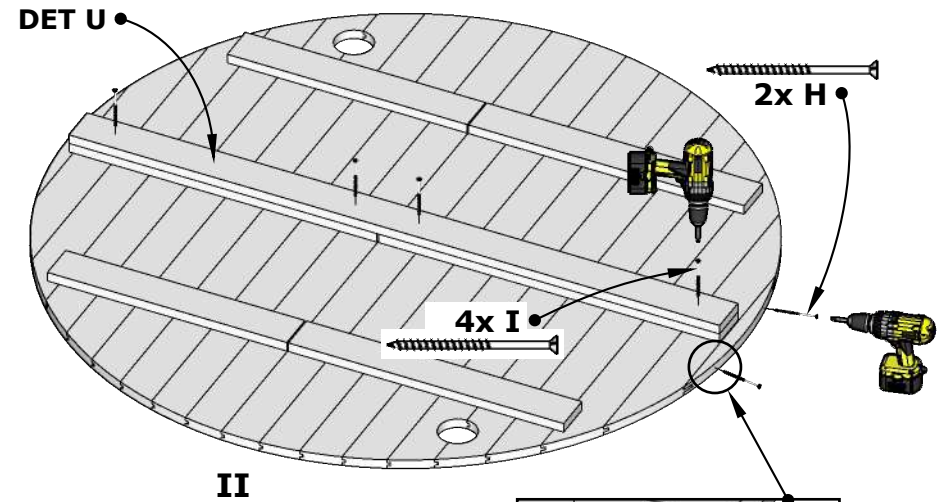
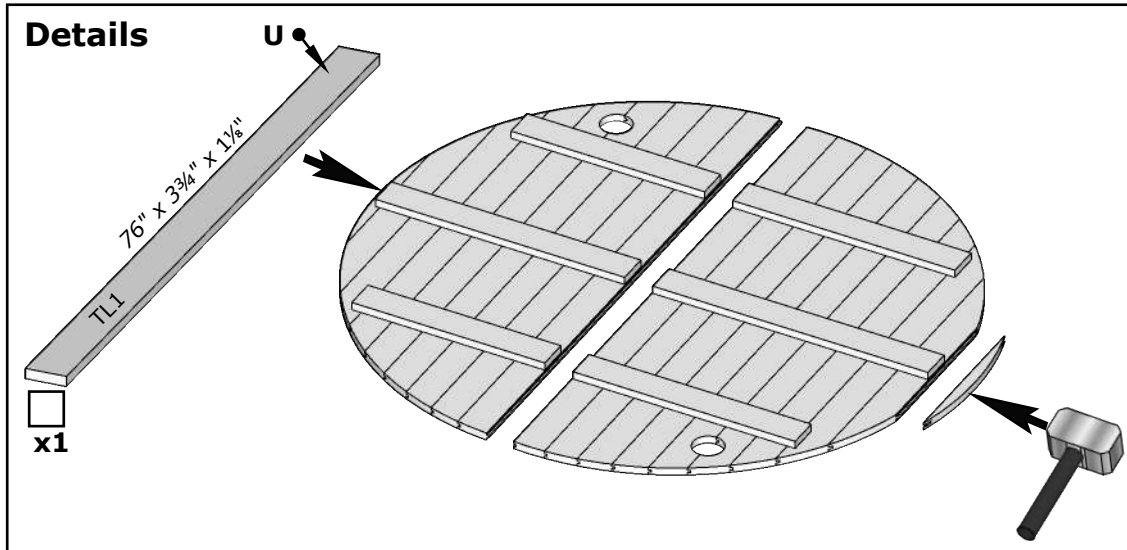
Proceed with main manual until benches installation!



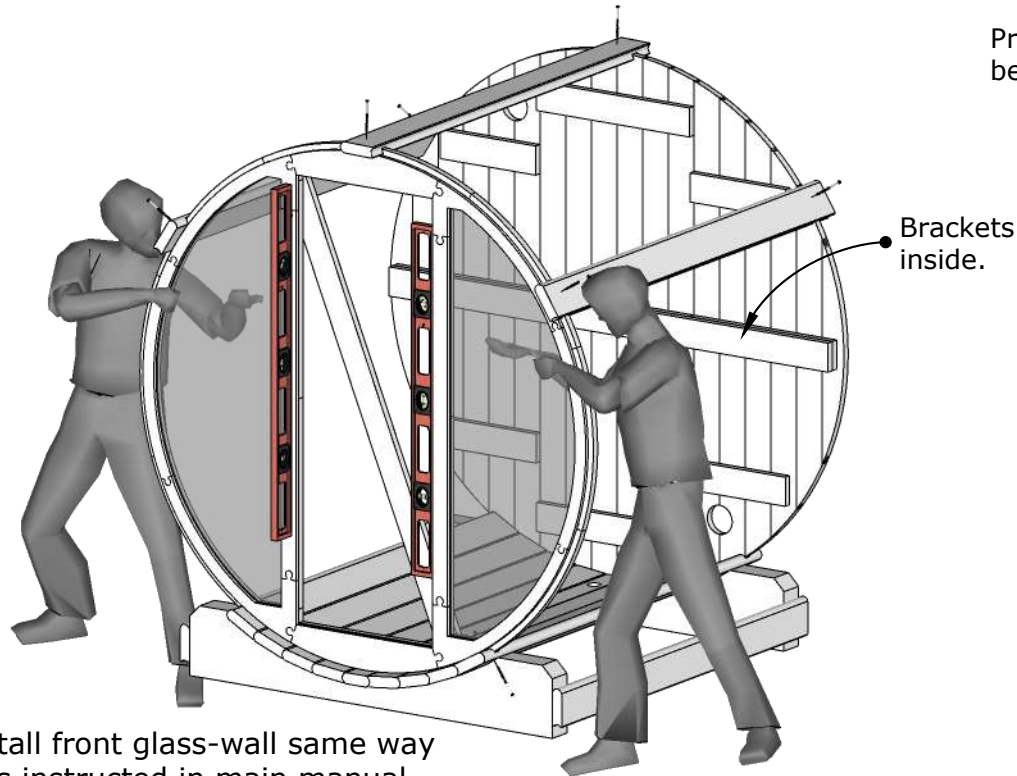
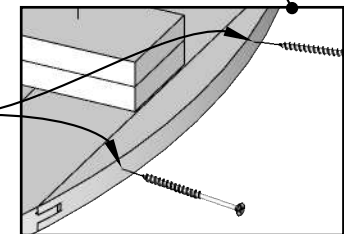
Drill holes 1/8" before screws.



Wooden back wall assembly



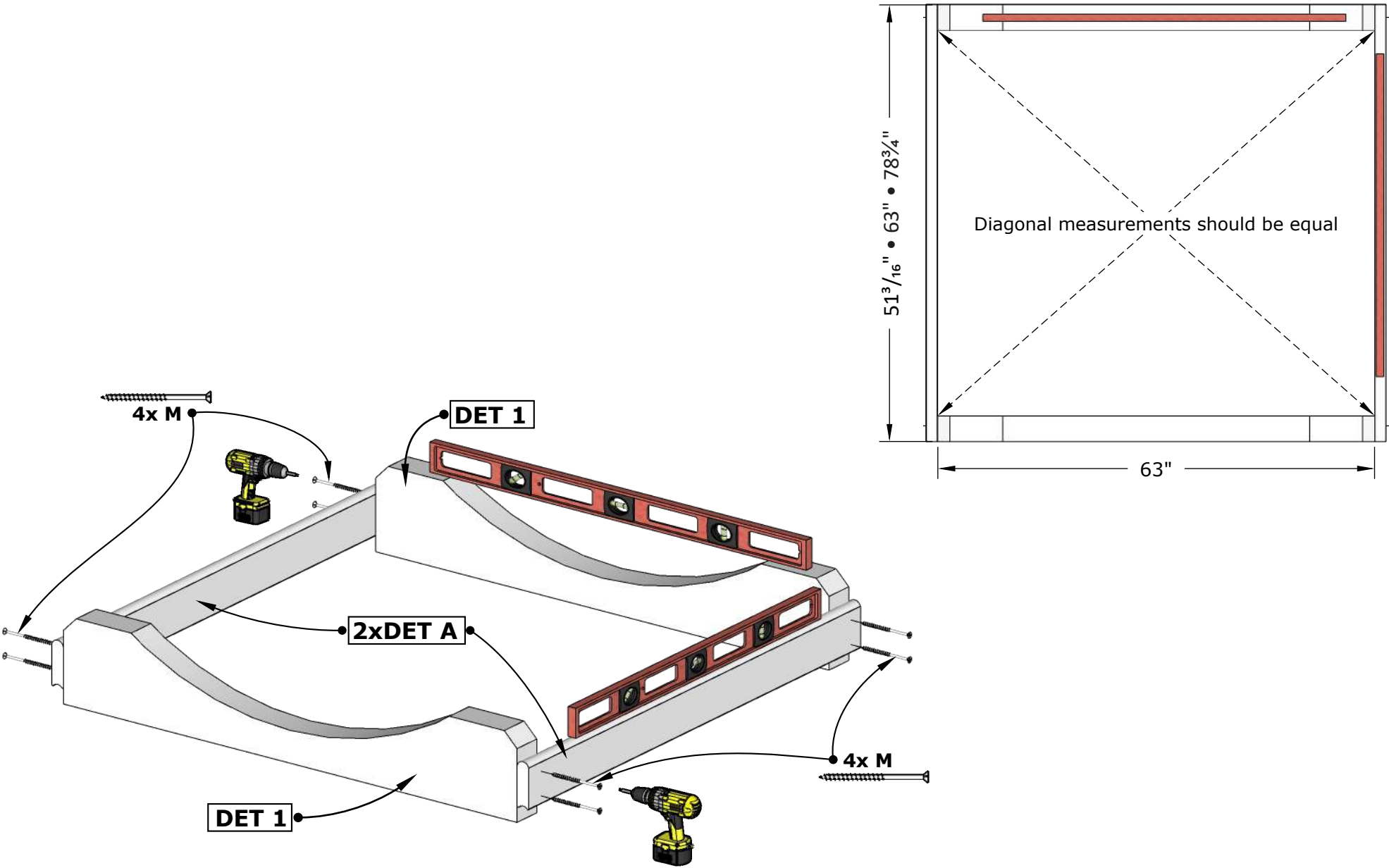
Pre-drill holes 5/32" before screws.



Install front glass-wall same way as instructed in main manual.

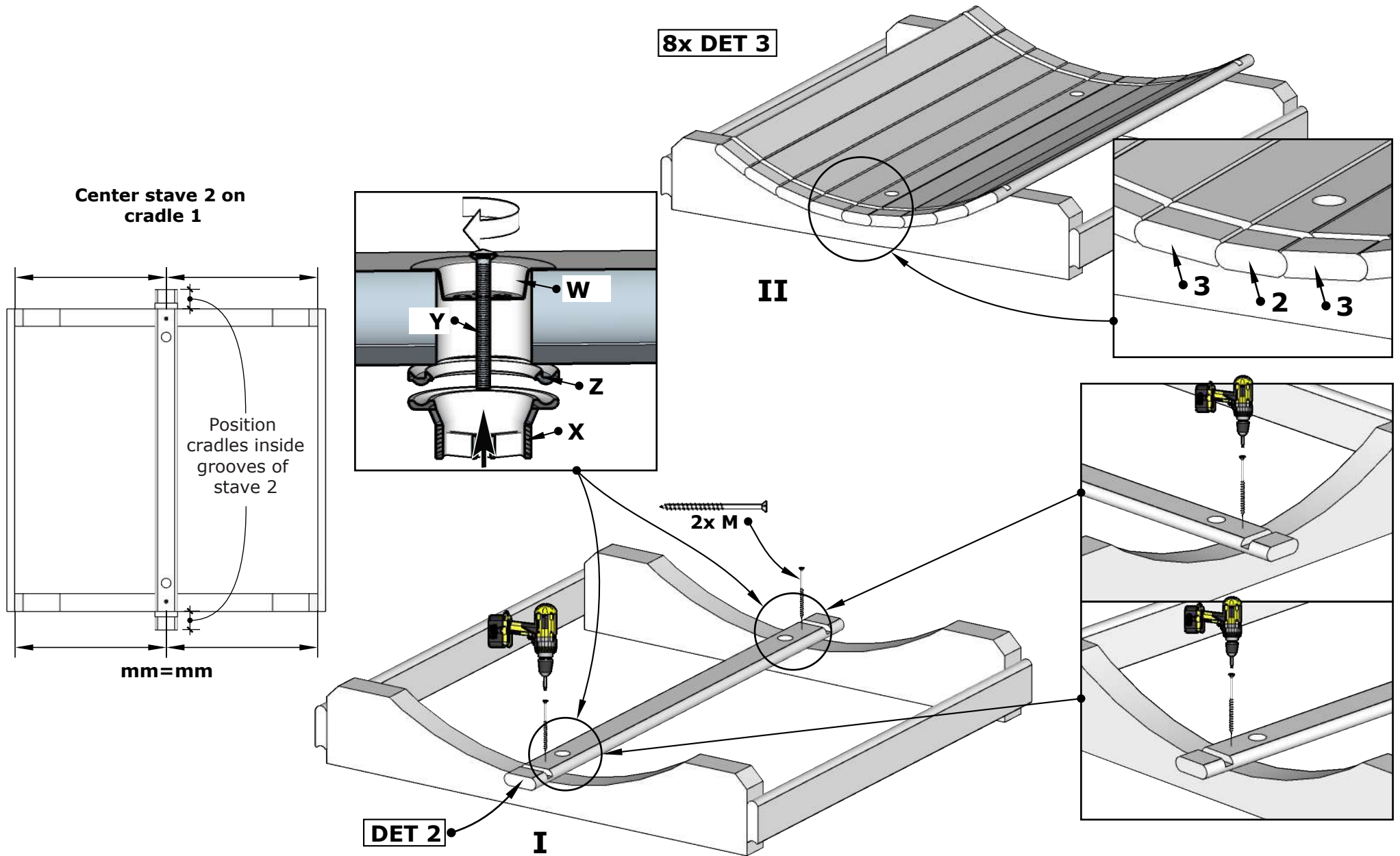
III

E7G Barrel Sauna 71D" x 81H"

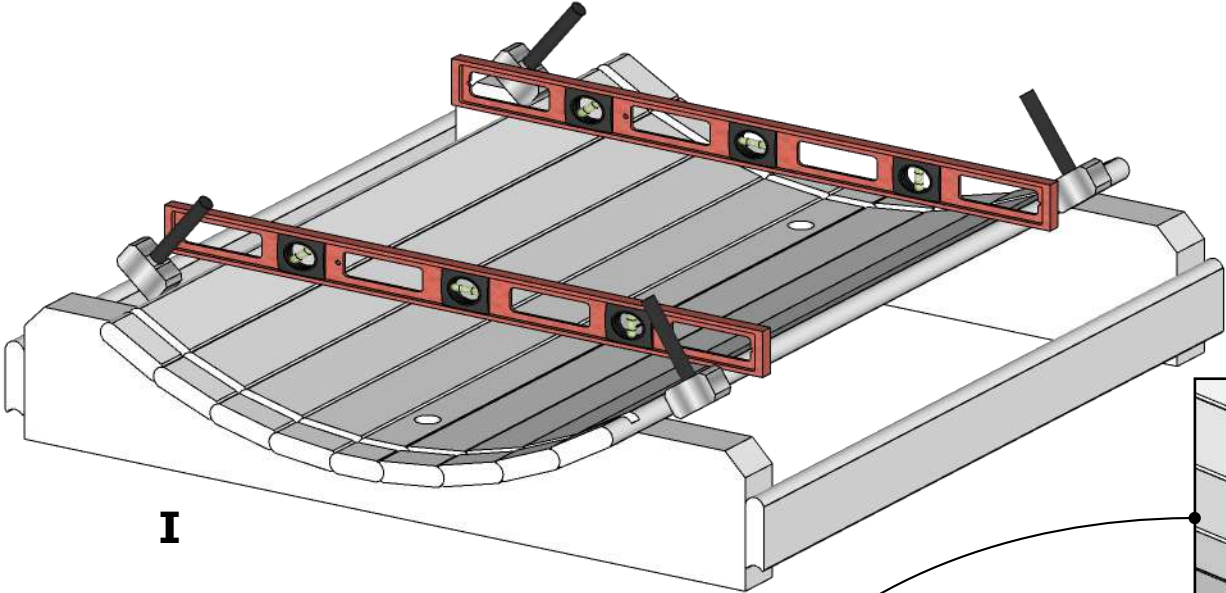


1.

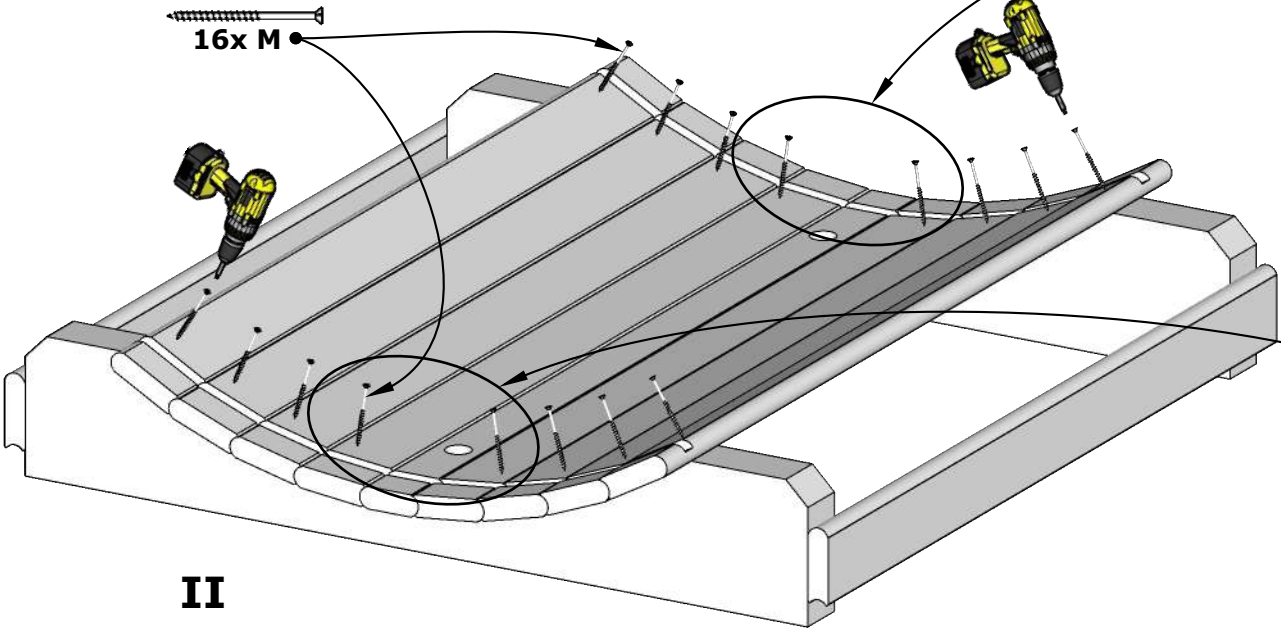
E7G Barrel Sauna 71D" x 81H"



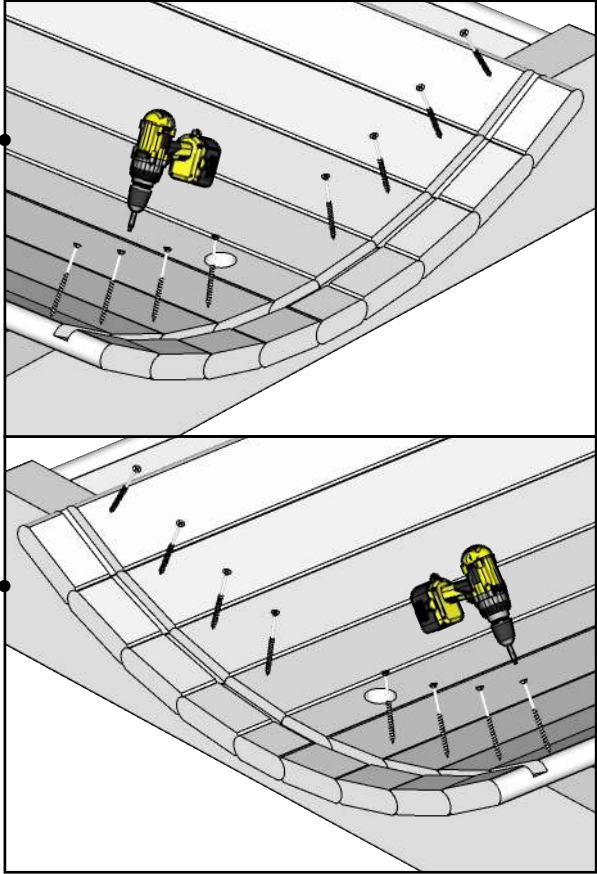
E7G Barrel Sauna 71D" x 81H"



I

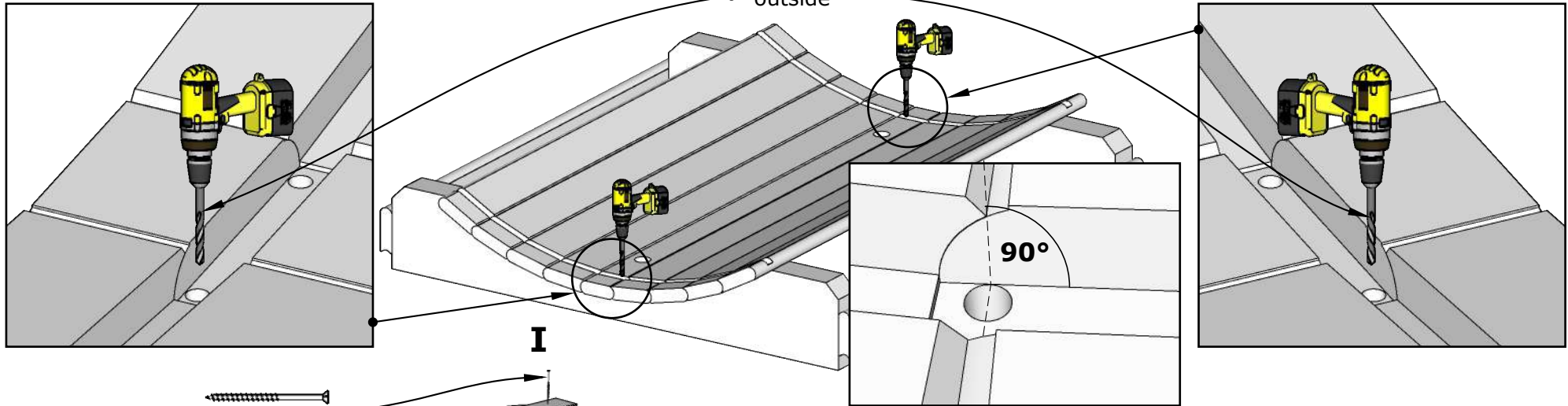


II



E7G Barrel Sauna 71D" x 81H"

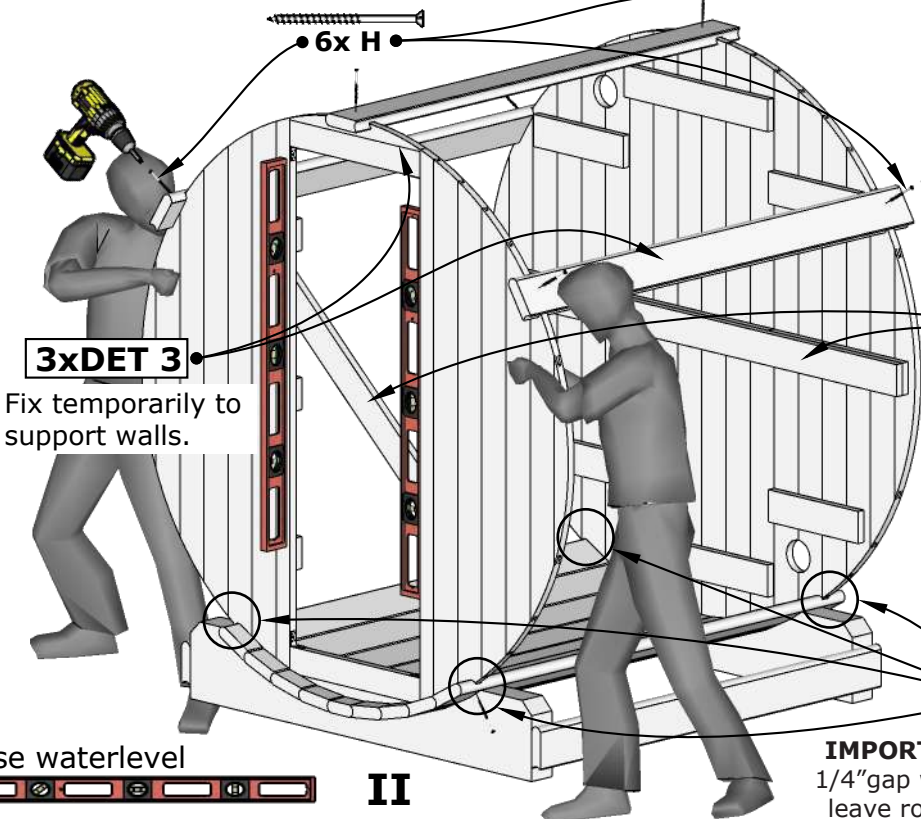
Drill 4 holes $\varnothing 1/2"$
through DET 2
outside



I

Check walls installation manual on extra pages!

Sauna wall configuration depends on Your model!



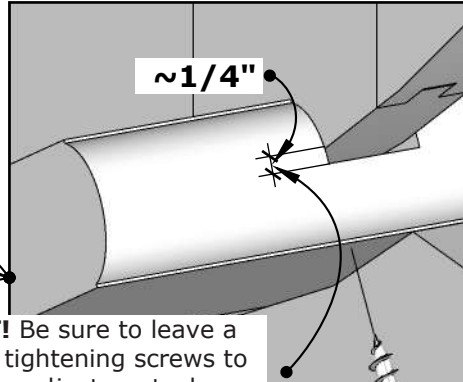
3xDET 3
Fix temporarily to support walls.

Brackets inside

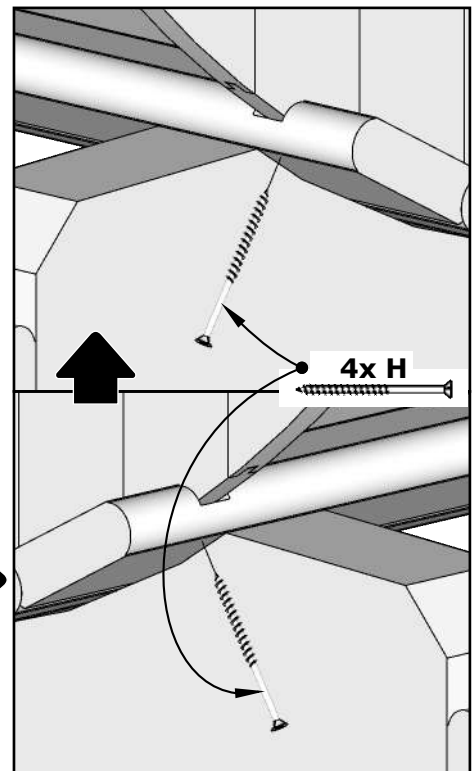


Use waterlevel

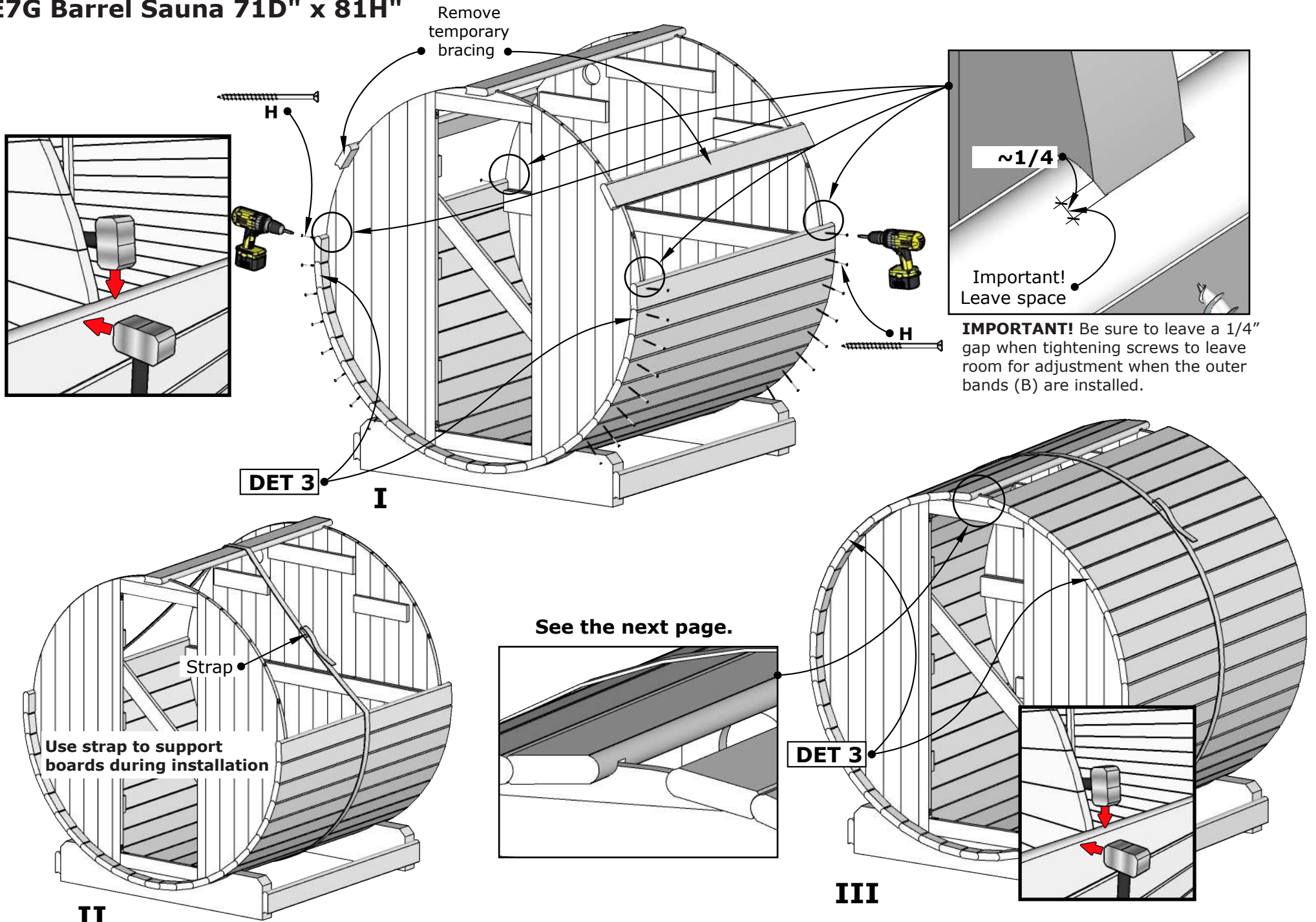
II



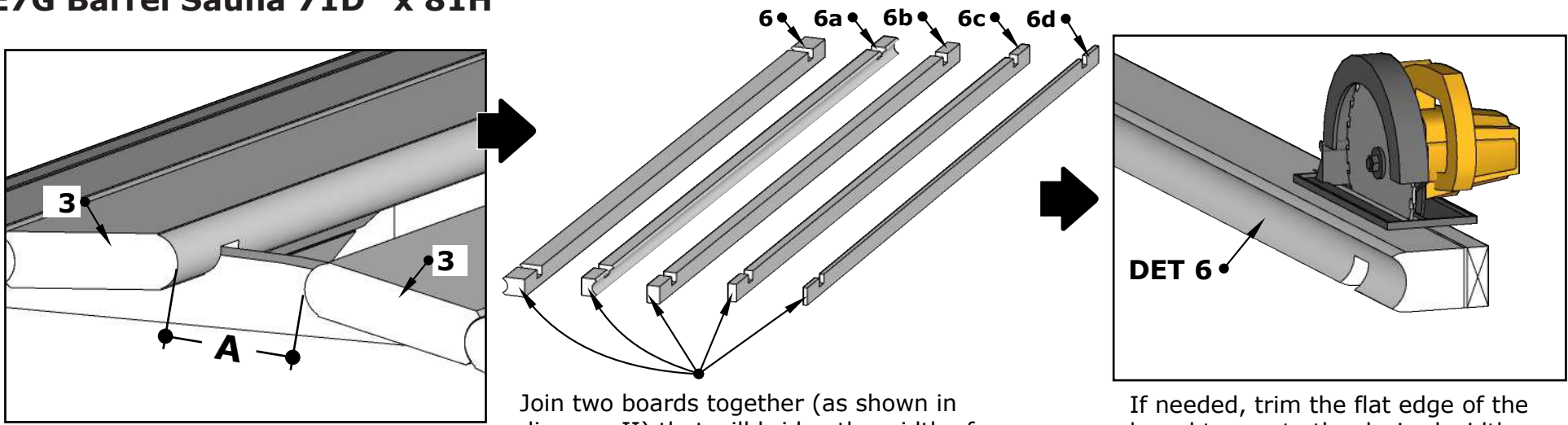
IMPORTANT! Be sure to leave a 1/4" gap when tightening screws to leave room for adjustment when the outer bands (B) are installed.



E7G Barrel Sauna 71D" x 81H"



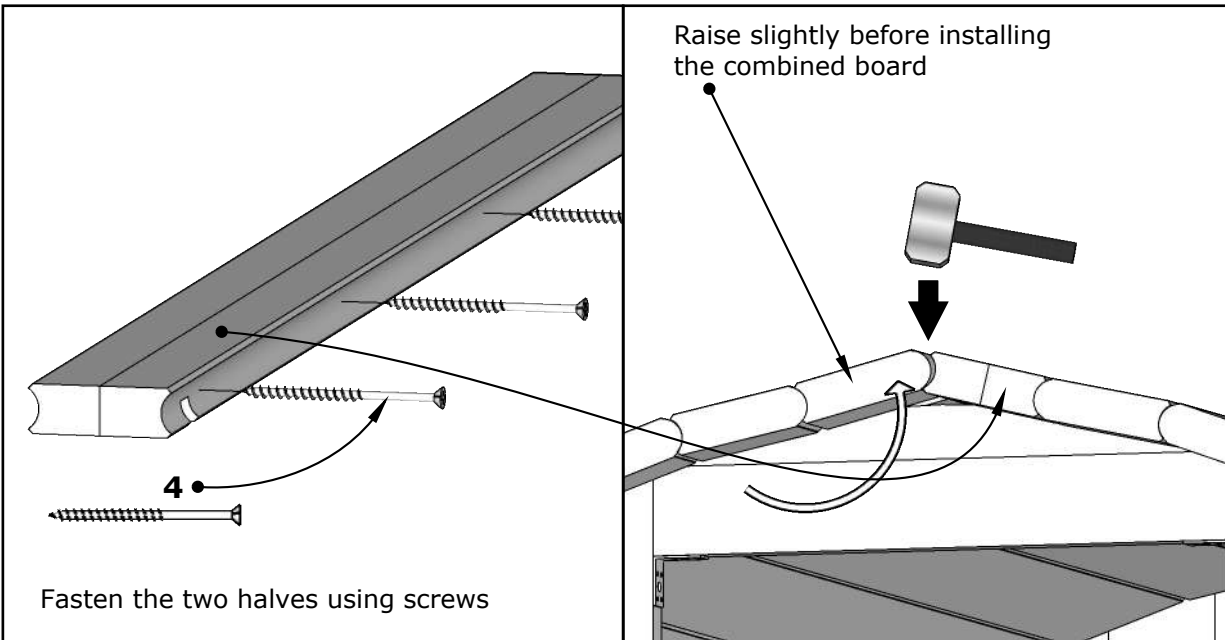
E7G Barrel Sauna 71D" x 81H"



I

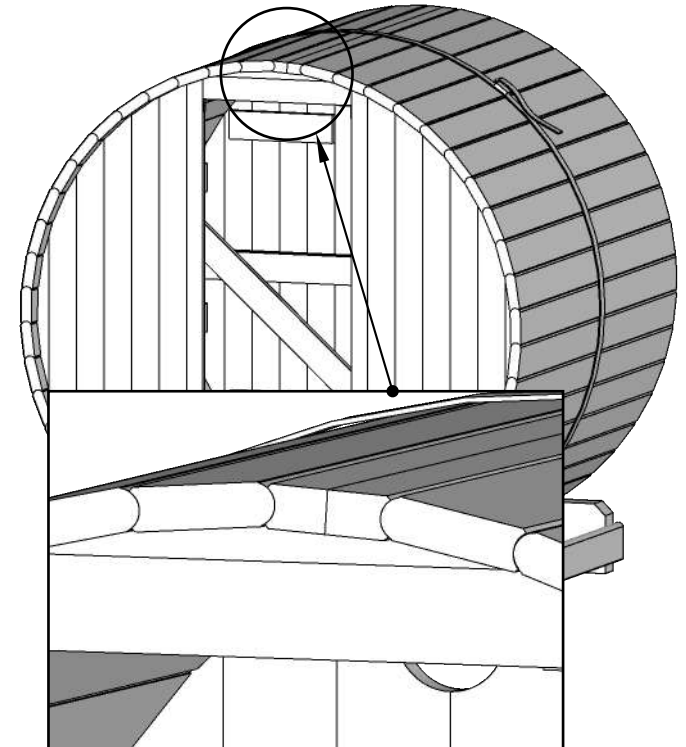
Join two boards together (as shown in diagram II) that will bridge the width of the "A" gap. It is recommended that the combined boards are approximately 1/4" wider than the gap.

If needed, trim the flat edge of the board to create the desired width.



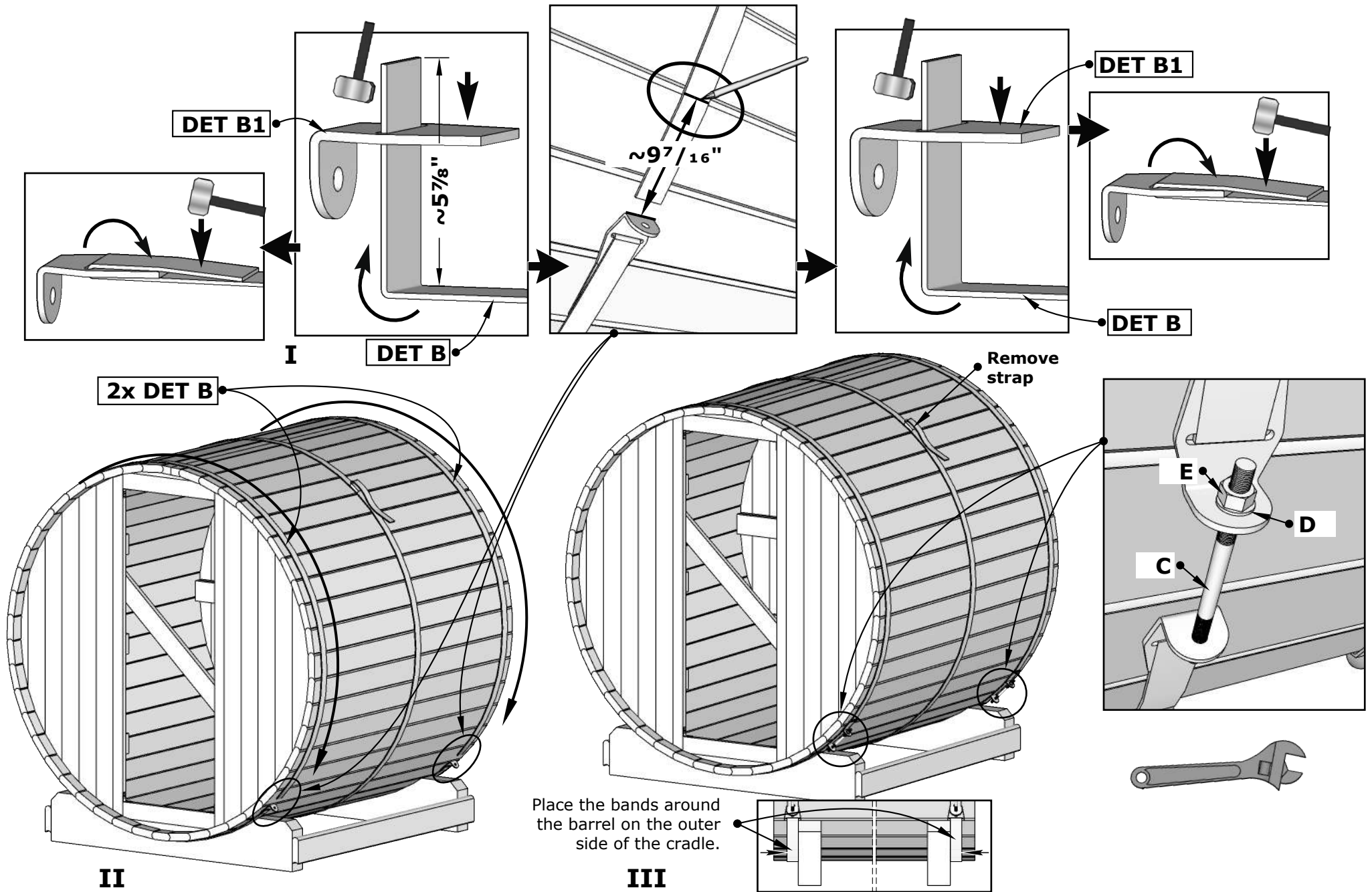
Fasten the two halves using screws

II



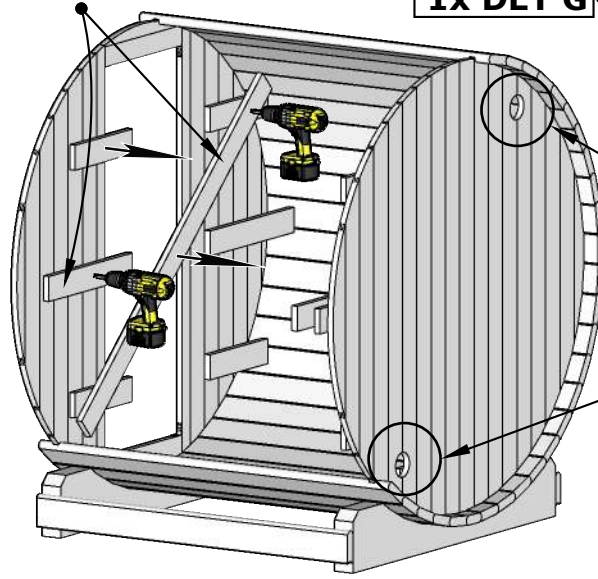
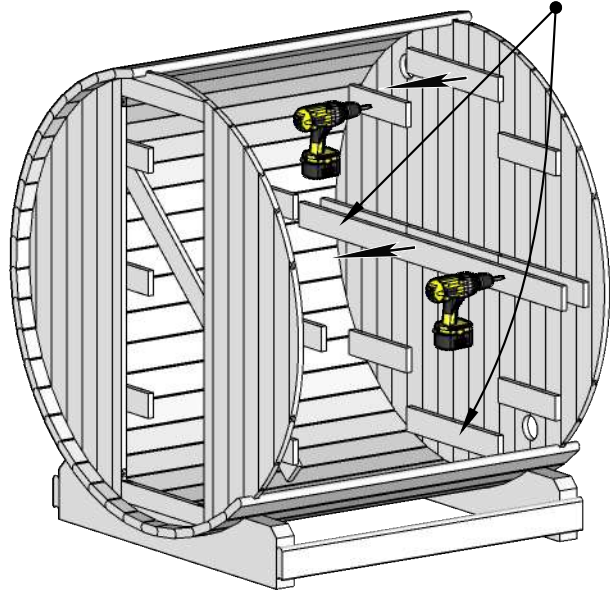
III

E7G Barrel Sauna 71D" x 81H"

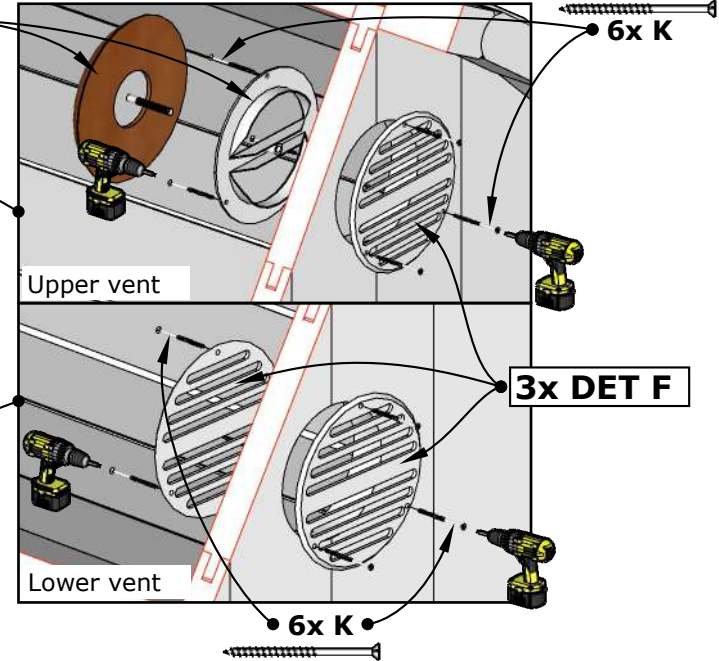


E7G Barrel Sauna 71D" x 81H"

Remove all temporary braces



1x DET G



Upper vent

Lower vent

3x DET F

6x K

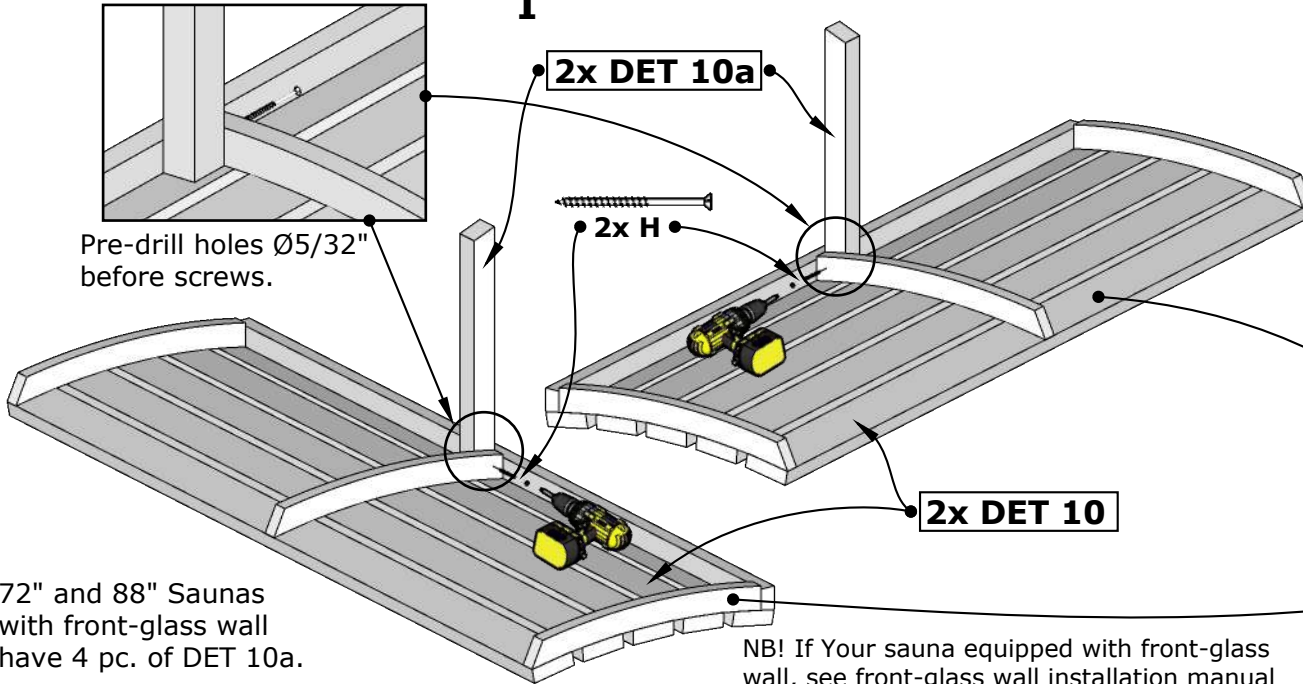
I

2x DET 10a

2x H

2x DET 10

Pre-drill holes Ø5/32" before screws.

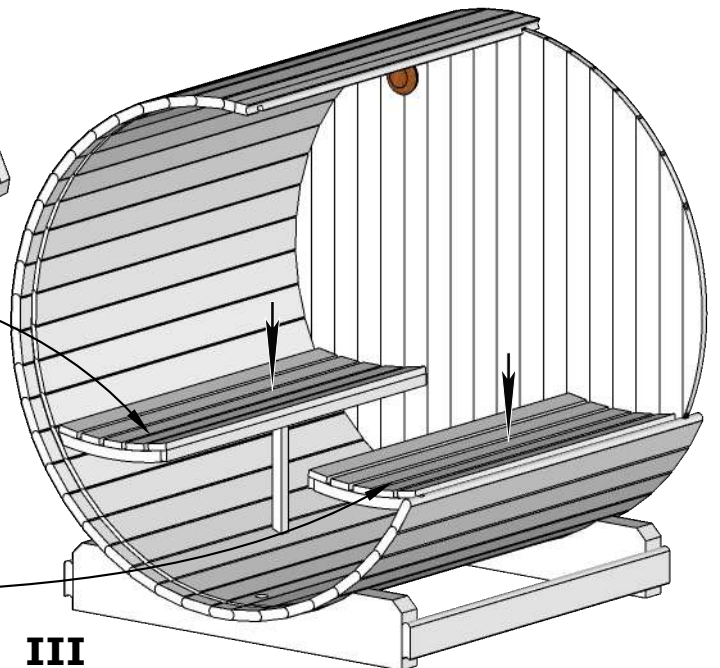


72" and 88" Saunas with front-glass wall have 4 pc. of DET 10a.

II

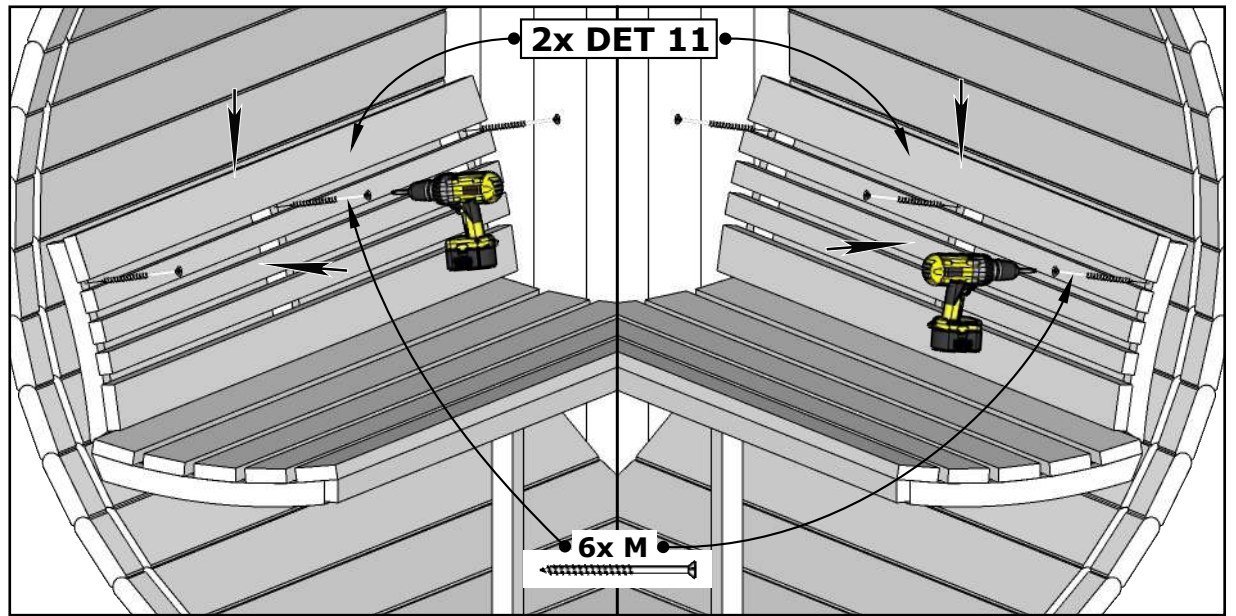
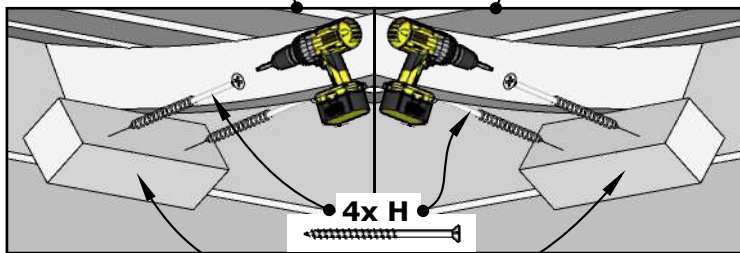
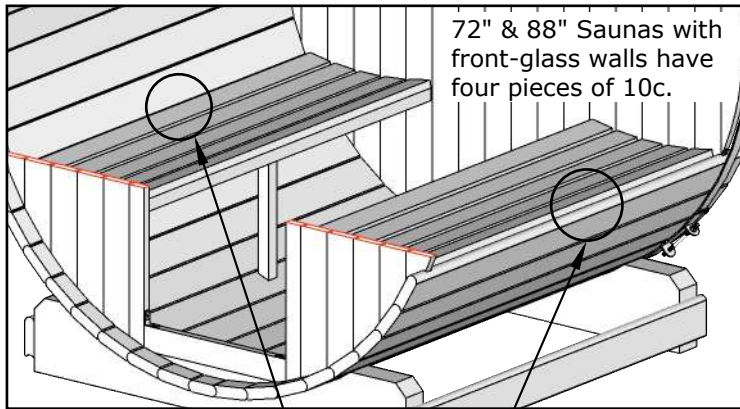
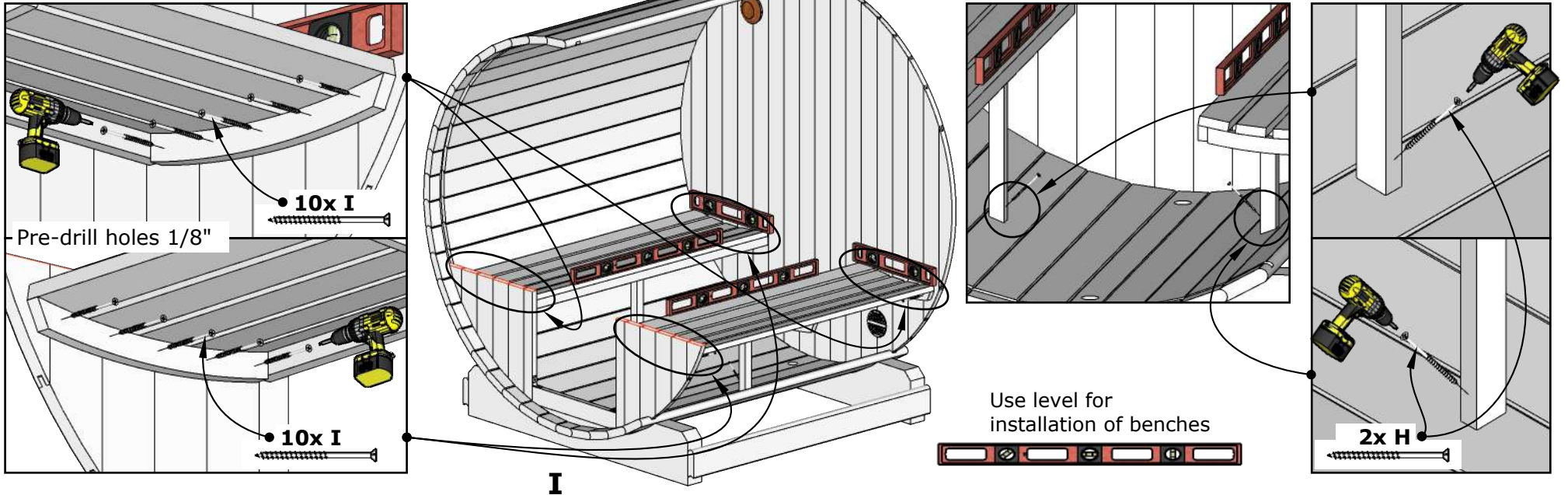
NB! If Your sauna equipped with front-glass wall, see front-glass wall installation manual for proper benches installation.

III



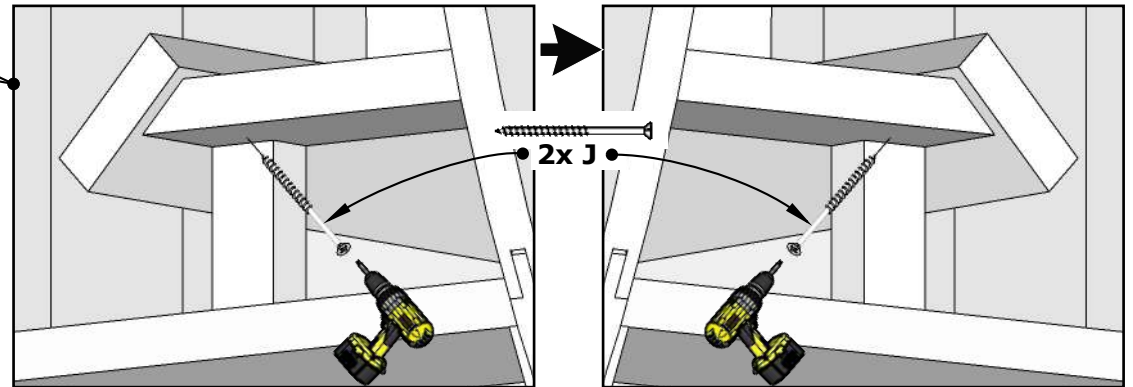
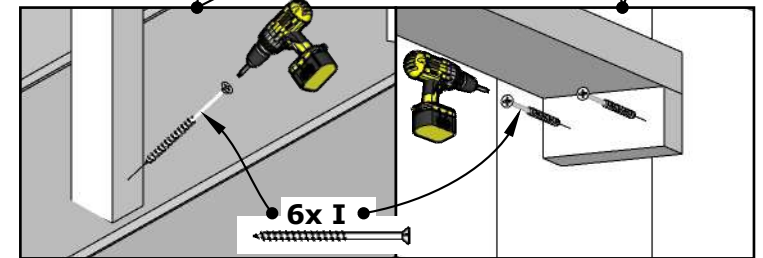
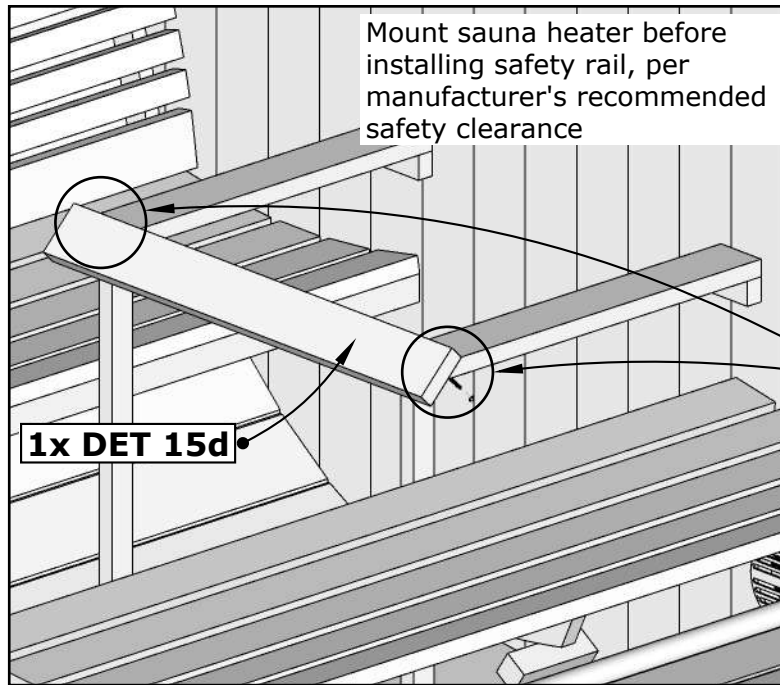
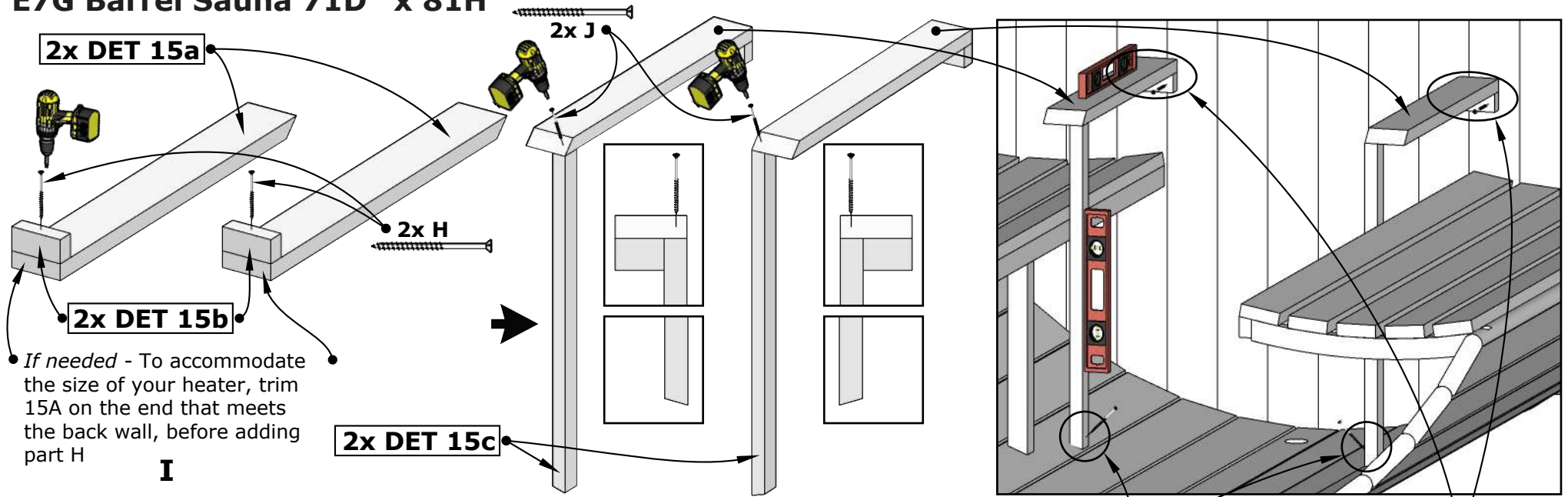
8.

E7G Barrel Sauna 71D" x 81H"



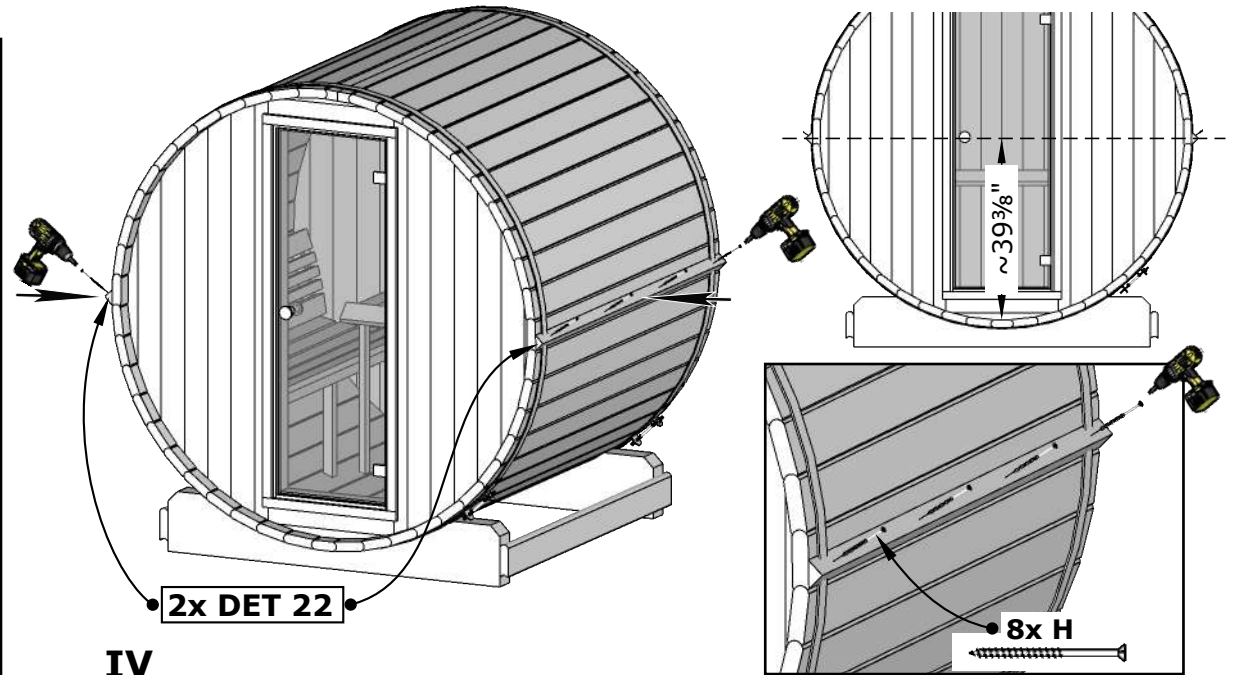
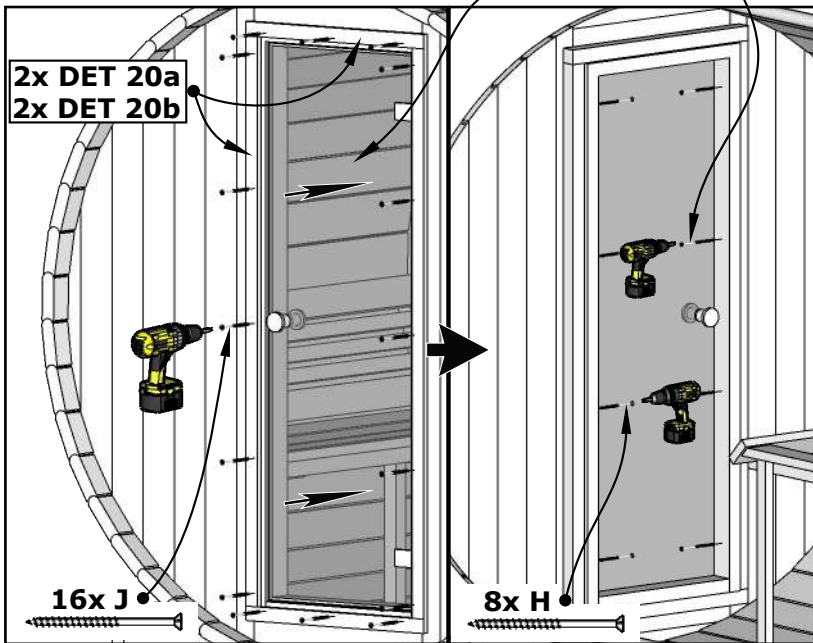
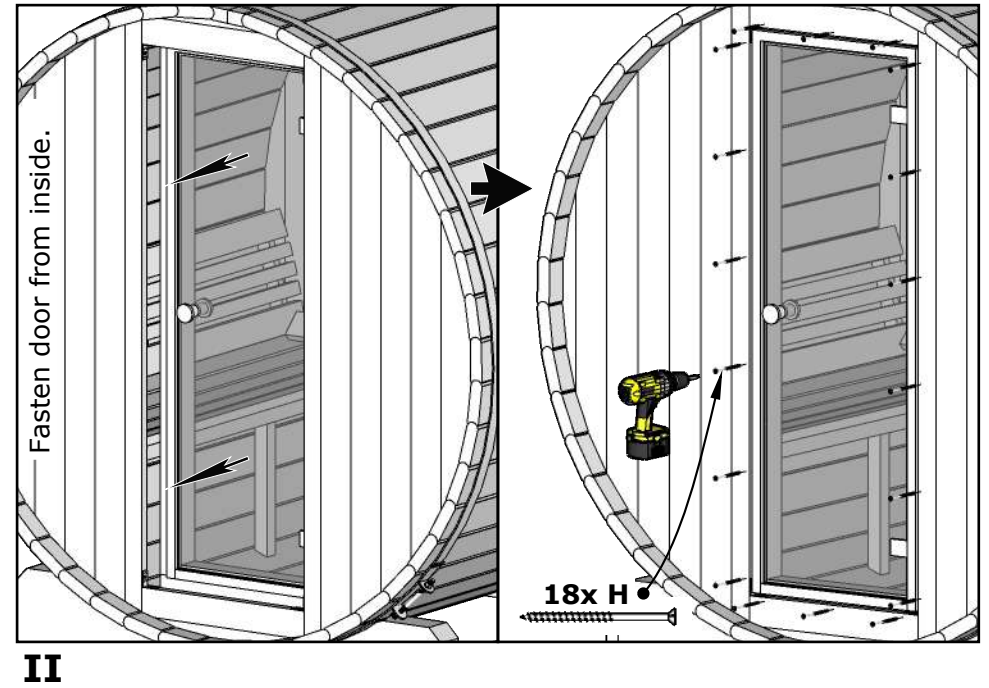
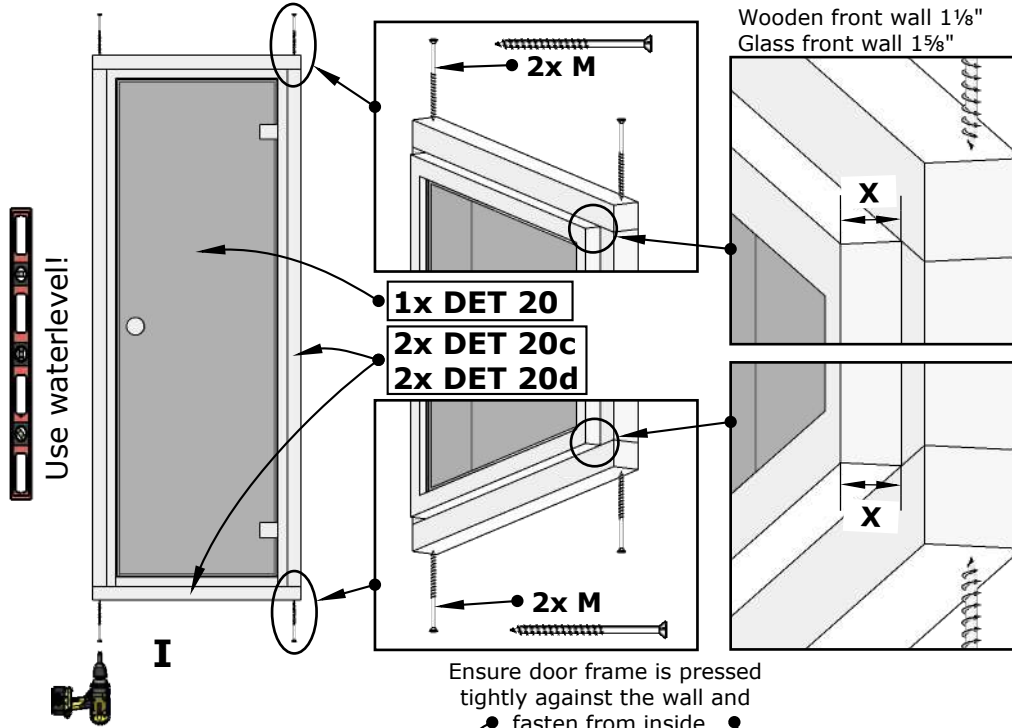
III

E7G Barrel Sauna 71D" x 81H"



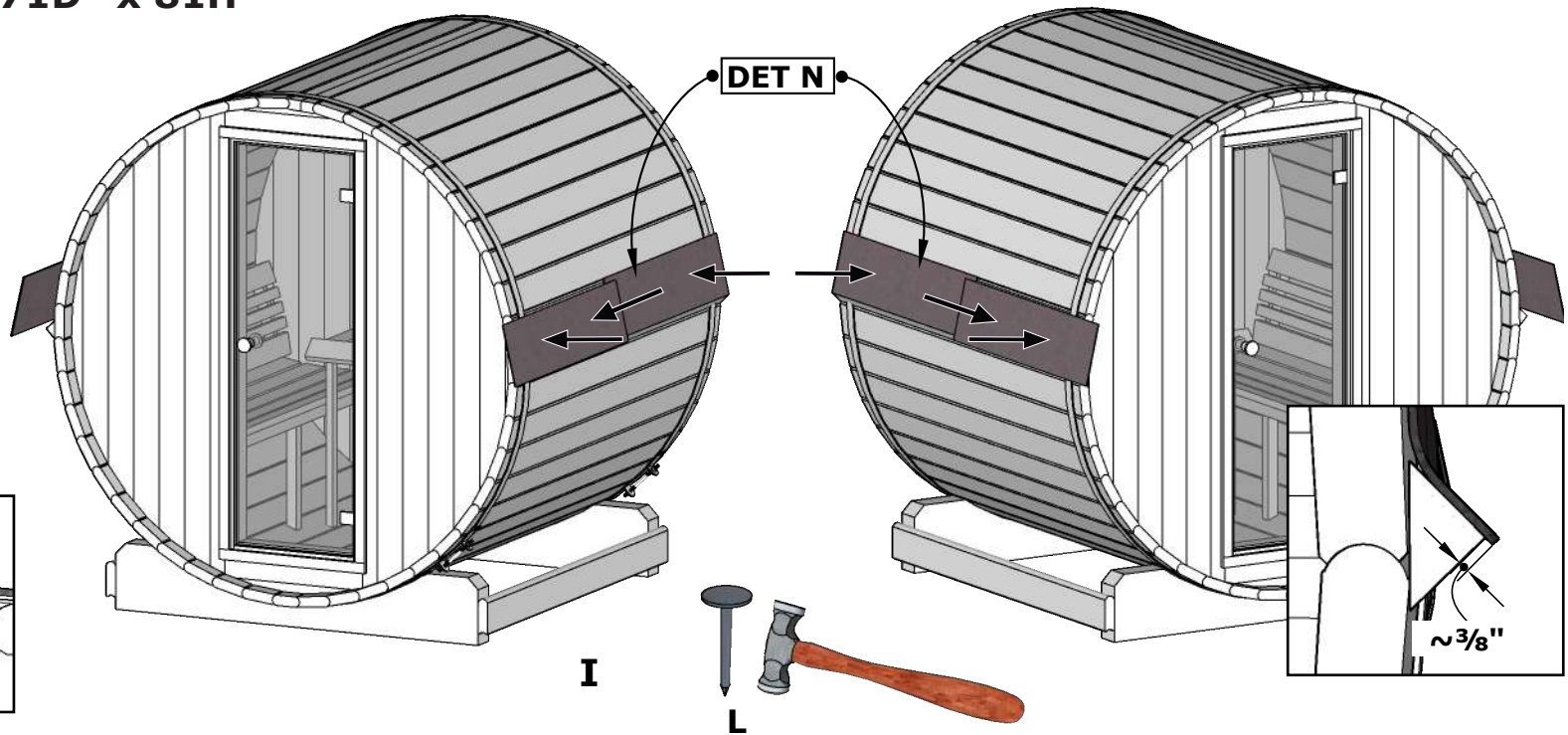
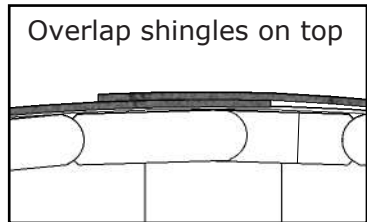
E7G Barrel Sauna 71D" x 81H"

X= Front wall thickness
 Wooden front wall 1 1/8"
 Glass front wall 1 5/8"

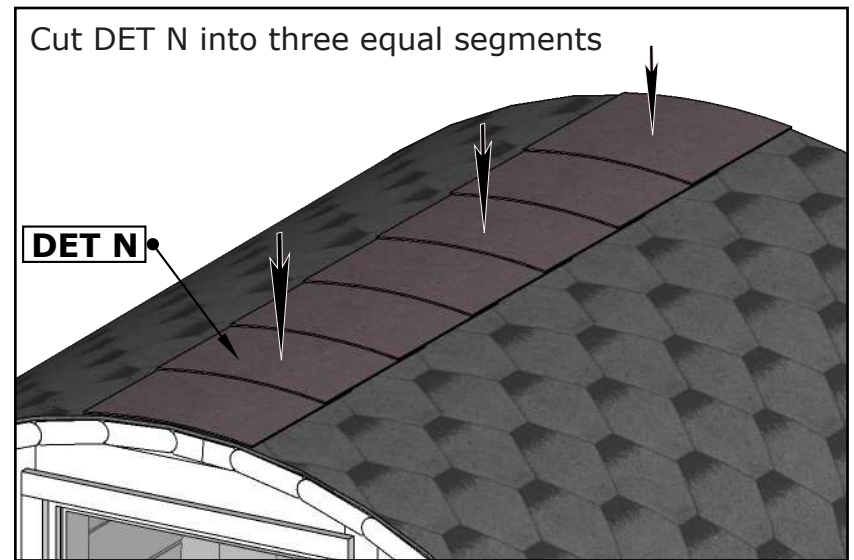
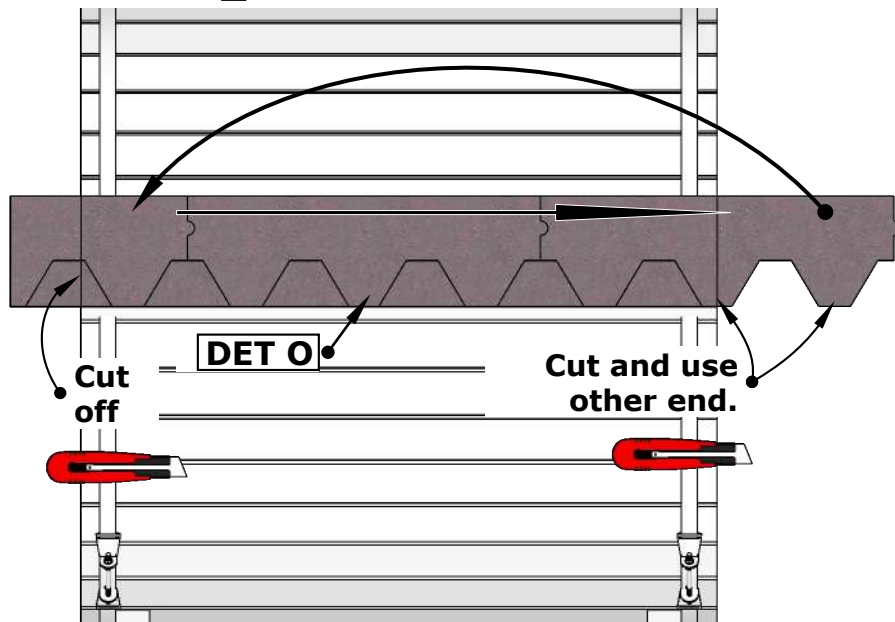


E7G Barrel Sauna 71D" x 81H"

See the installation manual inside the shingles package



Check also roof shingles installation manual inside package.



E7G Barrel Sauna 71D" x 81H"

